

Panther Series

Push plates with integrated wireless technology



- Features & benefits**
- 1/16" thick stainless steel for maximum durability.
 - Concealed fasteners minimize vandalism.
 - NEMA 4 rated housing creates a weather resistant barrier that enables the push plates to be mounted in outdoor environments or wash down applications.

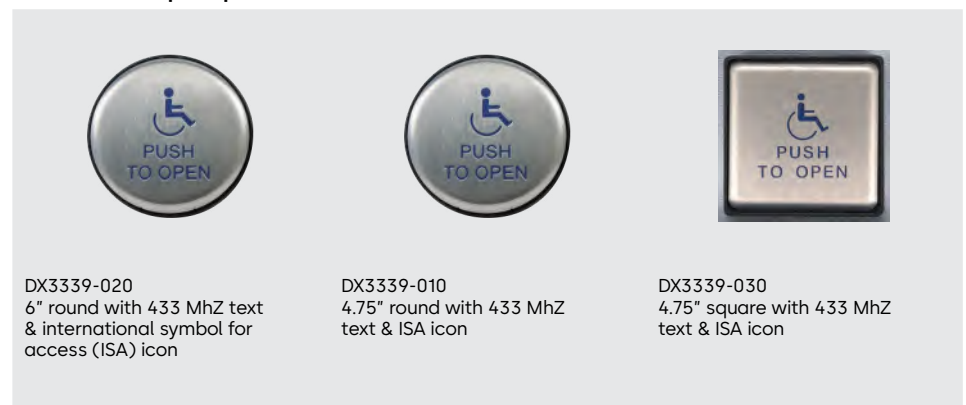
Description




dormakaba's Panther Series consists of 900 MHz or 433 MHz wireless technology integrated into 6" round, 4.75" round, and 4.75" square push plates.

With an integrated wireless transmitter and mounting box, the Panther Series reduces installation time by eliminating the need to run wires from the push plate or use additional mounting hardware. This offers greater mounting flexibility in areas where hard-wired push plates cannot be mounted.

NOTE: Corresponding wireless receiver sold separately.

Panther Series push plates



		
<p>DX3339-020 6" round with 433 MHz text & international symbol for access (ISA) icon</p>	<p>DX3339-010 4.75" round with 433 MHz text & ISA icon</p>	<p>DX3339-030 4.75" square with 433 MHz text & ISA icon</p>

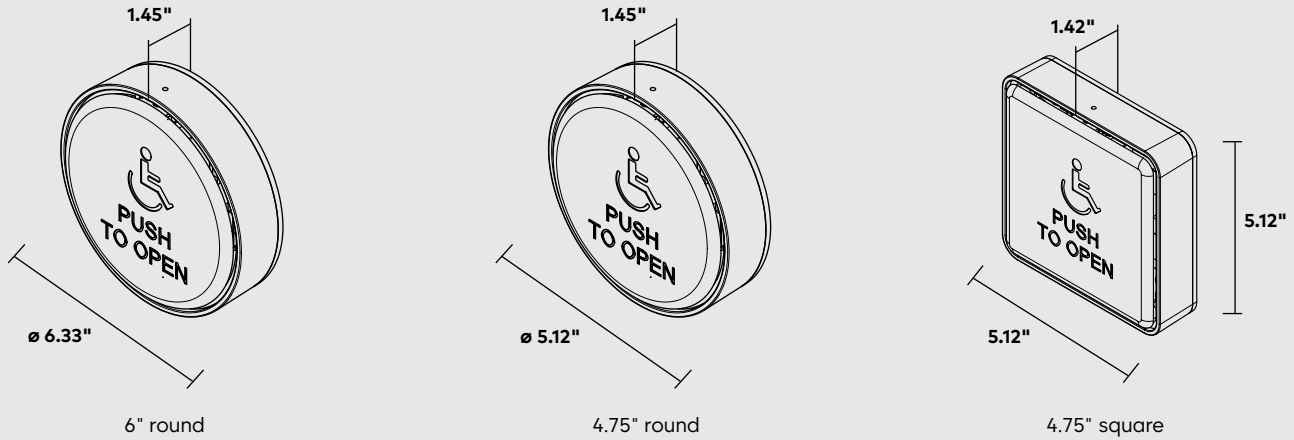
Technical specifications

Dimensions	
6" Round	6.33" (ø) × 1.45" (D)
4.75" Round	5.12" (ø) × 1.42" (D)
4.75" Square	5.12" (W) × 5.12" (H) × 1.42" (D)
Weight	
6" Round	1.2 lb
4.75" Round	1.14 lb
4.75" Square	1.04 lb
Mounting options	Surface or bollard mount
Transmitter frequency	433 MHz or 900 MHz
Power	(1) 12 V Type A23 (2) CR2032
Material	16 Gauge, 304 2B Stainless Steel ABS plastic
Degree of protection	NEMA 4 / IP65 FCC IC Part 15 approved

Application



Panther Series push plate dimensional drawings



© dormakaba 2024 Information on this sheet is intended for general use only. dormakaba reserves the right to alter designs and specifications without notice or obligation.

Any questions? We would be happy to advise you.
Contact us at: 1-800-265-6630