

Saffire™ LX-D

SMART Deadbolt Lock



Features and Benefits

- Operates with a completely sealed, high performance contactless reader
- Battery life up to 2 years under normal operation
- Low battery indicator for preventative maintenance
- Ensures latching and prevents binding with mechanical operation to retract and throw deadbolt
- No touring to update access without having to visit the lock
- Access control for resident units and common areas
- Provides single system to control perimeter entries, amenity spaces and storage units

Overview

Saffire LX-D Series features sophisticated RFID technology in a contemporary design. Easy-to-use, flexible and secure, multihousing properties now have the option of issuing mobile credentials for added resident convenience. Saffire LX-D Series is a smart solution that combines high-performance with aesthetics that harmonize with progressive building technology and amenities.

Convenient Mobile Access

The Saffire LX-D Series is equipped with Bluetooth Low Energy (BLE) technology,

which gives residents the added convenience of using a smart device, in addition to fobs, to access their residence, common areas and the perimeter. Our key delivery platform issues and authenticates mobile credentials through BlueSky, dormakaba's mobile access app.

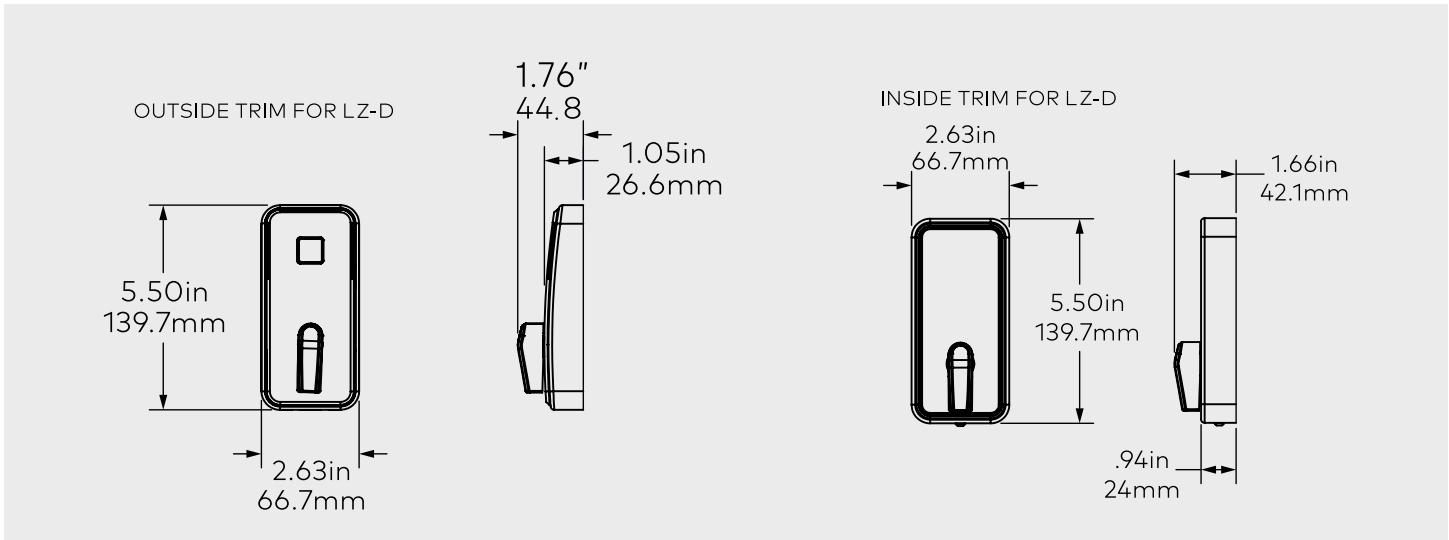
Intuitive Access Management Software

The Saffire LX-D is managed by dormakaba Community™ access management software. Community provides intuitive access management of residences, amenities, common areas and perimeters from a single platform. Community offers the con-

venience of both RFID credentials and BLE mobile access keys for a seamless experience with no need for additional softwares.

Security features

- BHMA Grade 2
- Non-volatile memory maintains lock programming and audit records
- Staff monitoring – RFID keycard audits
- Tamperproof design



Mechanical Features

Description	Electronic deadbolt lockset with clutch mechanism and built-in contactless RFID reader
Handing	Field reversible
Finishes**	Satin chrome, satin brass, oil-rubbed bronze, bright chrome, satin nickel and black Polycarbonate finishes: black ** dormakaba utilizes PVD (physical vapor deposition) finishes in some instances
Door Thickness	From 1 3/8" to 2 1/8" (35mm to 54mm)
Locking Options	ANSI/BHMA Grade 2 with 1" deadbolt
Batteries	3 AA for up to 2 years. Low battery indicator for preventative maintenance
Concealed key override	Electronic battery backup
Community RX	Community™ software

Mobile Access

BLE	BLE enabled. Ready to operate using dormakaba mobile access solutions.
-----	--

Lock Operation

No Touring	New credentials automatically cancel prior credential when brought to lock
Electronic Key Levels	User defined, customizable key levels & key groups tailored for your community. Individual levels for residents, leasing, maintenance, services and vendors
Date/time stamp	Real time: date and hours/minutes; automatically adjusts for daylight savings time
Programming & audit trail downloading	Handheld unit incorporating Near Field Communication interface and FW/Security features
Lockout mode	Set by authorized key
Credentials accepted	- Mifare Ultralight C: Guest Keys - Mifare DESFire: Guest and Staff Keys (DESFire EV3 2k, DESFire EV2 4k, DESFire EV3 4k, DESFire EV3 8k) - Mifare Plus: Guest Keys (Mifare Plus 1K), Staff Keys (Mifare Plus S 1k, Mifare Plus S 2k, Mifare Plus S 4k) - Mifare Classic: Guest Keys (Mini), Staff (Classic 1k, Classic 4k)
Feedback LED	Light indicators
Diagnostics	Handheld display
Audit memory	Most recent 4,000 events

Certifications & Testing

Certification	BHMA A156.25; BHMA 156.36; Florida Building Code HVHZ & non-HVHZ
Accessibility Standard	ADA (Americans with Disability Act) compliant levers and thumbturns (must be installed according ADA and local requirements)
Fire Rating	Meets UL 10C and ULC S-104, on fire door rated up to and including 3 hours
Electronics	Compliant with RE Directive 2014/53/EU for electromagnetic compatibility and FCC part 15 and RSS-247 Industry Canada requirements.
Environmental Operating Conditions	-31°F to +158°F (-35°C to +70°C), 0% to 90% non-condensing humidity at 86°F (30°C) Meets IP54

Warranty

Warranty	Two years
-----------------	-----------

Any questions? We would be happy to advise you.

Contact us at: 1 800 849 8324