

A close-up photograph of a DORMA BTS 65 floor spring. The device is a rectangular metal plate with a brushed finish. On the right side, there is a black rectangular section containing a silver-colored metal nut. Several screws are visible on the surface. A semi-transparent white box is overlaid on the left side of the image, containing the text "BTS 65" and a horizontal line.

BTS 65

---

Floor spring

# THE ECONOMIC FLOOR SPRING SPECIALLY DESIGNED FOR DOUBLE ACTION DOORS

## Special shallow design Optional hold-open

Successfully tailored to satisfy the special requirements governing floor springs for double action doors, the BTS 65 also offers a particularly shallow design and thus all the advantages of a reduced installation depth.

With two closing ranges and a choice of models, the BTS 65 can fulfil virtually any application requirement while providing all the reliability associated with assured quality from DORMA.

Certified to ISO 9001.

## Plus points

### For the trade

- Outstanding value for money.
- Wide range of accessories to accommodate various installation situations.

### For the installer

- Easy installation thanks to shallow design.
- Easy to adapt to individual requirements with dual valve control 130° to 0° and 130° to 20°.
- Interchangeable spindle inserts available to suit site conditions.

### For the architect/specifier

- Minimum floor recess dimension.
- Rugged construction for door weights up to 100 kg.
- DORMA quality.

### For the user

- Smooth closing operation virtually temperatureimmune.
- Low effort requirement ensures easy door operation.
- Optional integrated single-point hold-open at 90°.

Technical Data		BTS 65	
Spring strength	Size	EN 3	EN 4
Standard	≤ 950 mm	●	–
and external doors <sup>1) 2)</sup>	≤ 1100 mm	–	●
Max. door weight in kg		100	100
Closing speed variable by valve adjustment		●	●
Backcheck		–	–
Delayed action		–	–
Hold-open point 90°		○	○
Weight in kg, approx.		4.0	4.0
Dimensions in mm	Length	276	276
	Width	108	108
	Height	40	40
Door closer tested to EN 1154		●	●
CE mark for building products (products with factory-fitted hold-open do not carry a CE mark)		●	●

● Yes – No ○ Option

<sup>1)</sup> For applications involving particularly high or heavy doors, and doors which have to close against wind or draught conditions, the next larger closer size or the DORMA BTS 80 should be selected.

<sup>2)</sup> Max. opening 130°.

Door stop necessary for doors which can open further than 130°.

## Standard and optional functions

### Closing ranges

The floor spring has two controlled closing ranges:

Valve 1: 130° – 0° sweep

Valve 2: Increases the closing speed between 130° and 20°.

1 Infinitely variable closing speed in the range 130° – 0°.

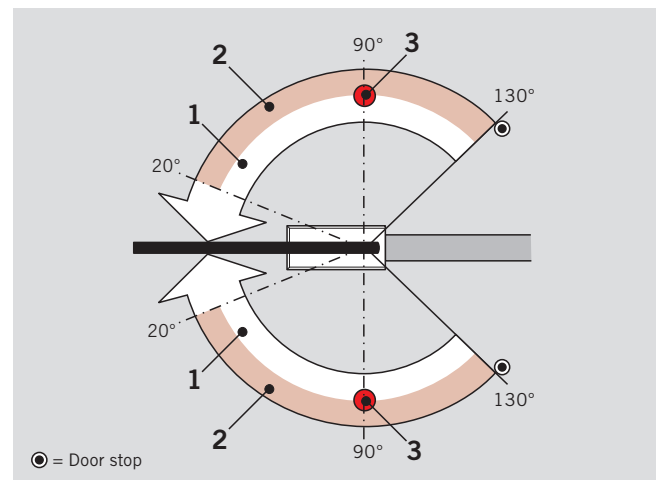
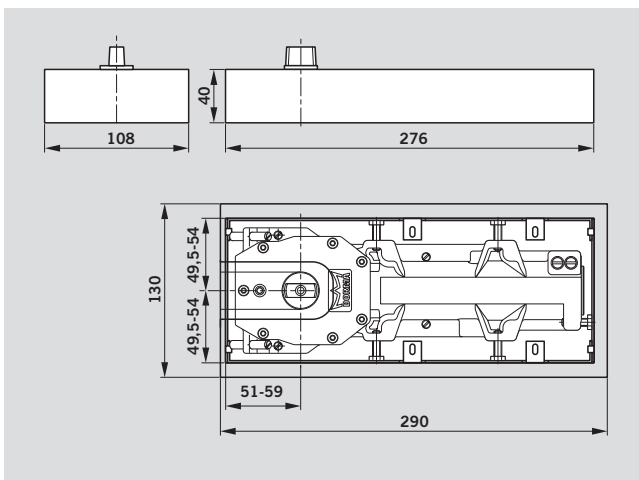
2 Second closing range 130° – 20°.

3 Hold open at 90° (optional extra).

### Hold-open

With optional integrated single-point hold-open at 90°.

## Measurements



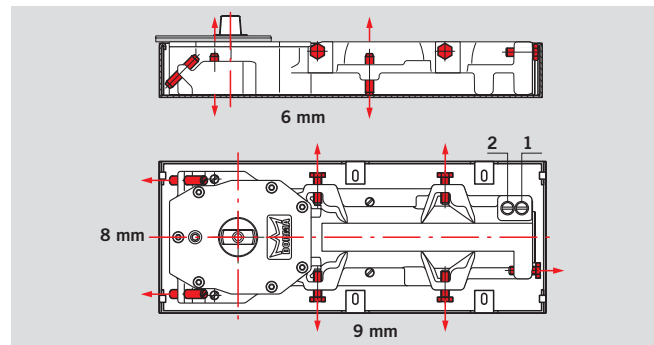
**Applications and installation**

The practical clamp fixing system of the BTS 65 ensures a secure and high-precision fit in the cement box.

The adjustment range in the cement box is as follows:

- Transverse 9 mm
- Longitudinal 8 mm
- Vertical 6 mm

- 1 Valve for 130° – 0° closing speed adjustment
- 2 Valve for increasing the 130° – 20° closing speed



**Accessories**

**Applications and fixing instructions, door straps and top centres**

See Technical Information “Floor spring accessories DORMA BTS”.

**DORMA 2300 Sealing Compound**

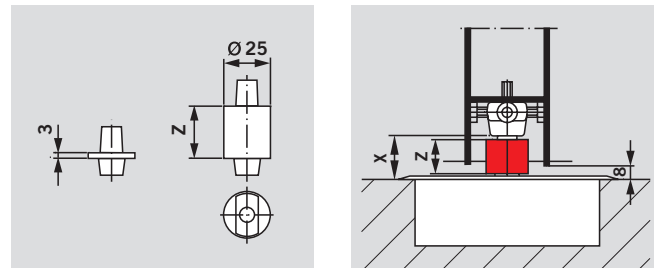
For filling the cavities between the floor spring body and the cement box to prevent moisture penetration (mandatory according to e.g. VOB regulations for wet rooms).

**Spindle inserts**

The floor clearance can be adjusted as required by simply replacing the insertion spindle with another size. Special spindle designs available on request – e.g. wide flats with 3° offset, square and spindle inserts for non-DORMA-specific accessories.

**Universal cover plate**

Available in stainless steel or satin brass.



Calculating the necessary length of spindle extension:  
 Extension = X – Floor clearance (normally 8 mm)

Collar height Z of the extended spindle inserts = Spindle extension length + 3 mm (collar height of the standard spindle insert)

**Options and accessories**

Floor spring BTS 65 including cement box and standard spindle insert, not pre-assembled	Floor spring BTS 65 including cement box without spindle insert	normal	Extended spindle inserts (extension in mm)													Universal cover plate		Sealing compound 2300 0.5 kg
			0	5	7,5	10	12,5	15	20	25	28	30	35	40	45	50	Stainless steel	
		45200401	45200402	45200403	45200404	45200419	45200405	45200406	45200407	45200414	45200408	45200409	45200410	45200411	45200412	46700086	46700186	45090086

**Standard**

EN 3 25030101	EN 3 25030100	△	△	△	△	△	△	△	△	△	△	△	△	△	△	△	△	△
EN 4 25040101	EN 4 25040100	△	△	△	△	△	△	△	△	△	△	△	△	△	△	△	△	△

**With hold-open 90°**

EN 3 25130101	EN 3 25130100	△	△	△	△	△	△	△	△	△	△	△	△	△	△	△	△	△
EN 4 25140101	EN 4 25140100	△	△	△	△	△	△	△	△	△	△	△	△	△	△	△	△	△

△ Accessory

**Specification text**

Floor spring for double action doors, with hydraulic fully controlled closing from approx. 130°; including cement box and removeable spindle insert.

**Size**

- EN 3
- EN 4

**Models**

- Standard
- Hold-open 90°

**Accessories**

- Universal cover plate
  - Stainless steel
  - Satin brass
- Extended spindle insert, . . . mm extended
- Sealing compound

**Make**

DORMA BTS 65



DORMA GmbH+Co. KG  
DORMA Platz 1  
58256 ENNEPITAL  
GERMANY  
Phone +49 2333 793-0  
Fax +49 2333 793-4950  
[www.dorma.com](http://www.dorma.com)