

BEYOND SECURITY



# INSTALLATION GUIDE

## *RFID WALL READER*

*INSTALLED WITH ILCO RAC 4 OR RAC4XT*



# RFID Wall Reader Instructions - (All Models)

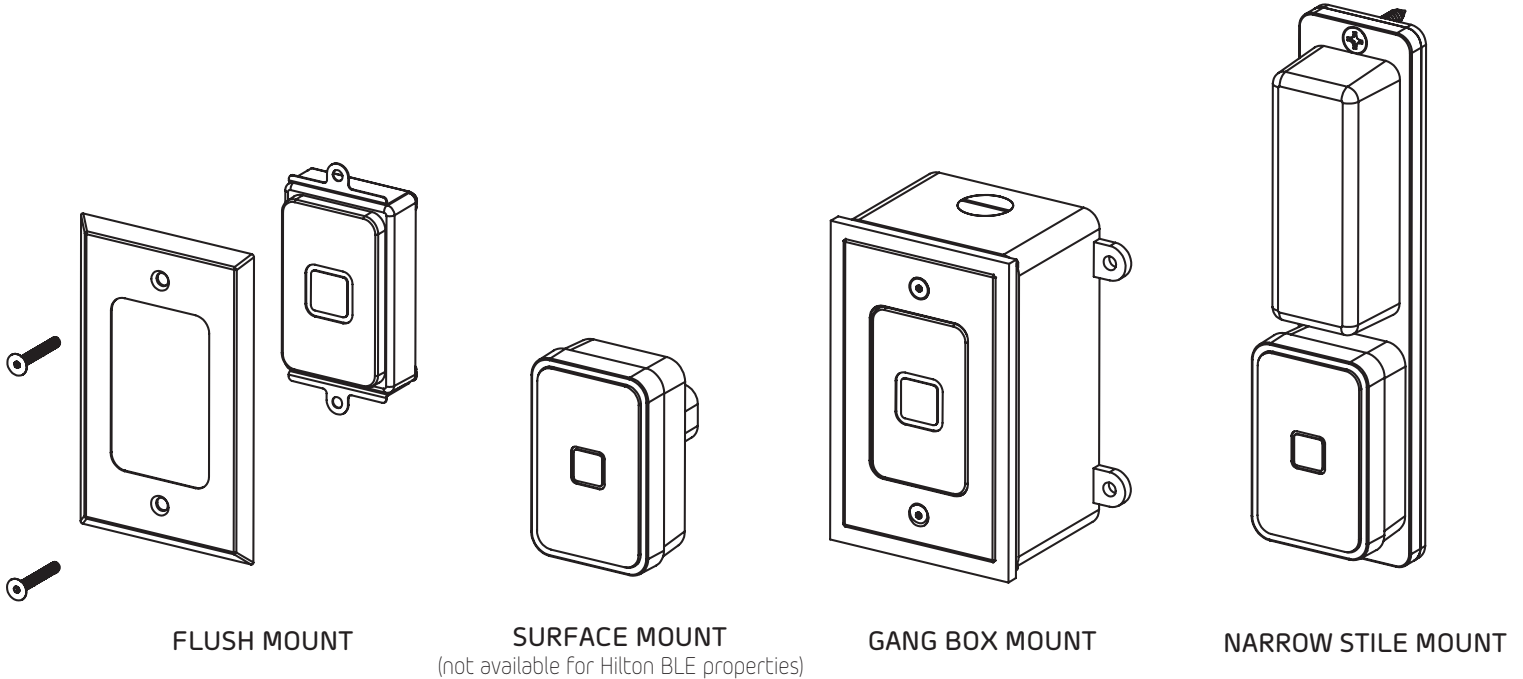
*\*Caution\**

**WEAR SAFETY GLASSES WHILE PREPARING WALL**

## Introduction

The RFID wall mounted reader provided by Kaba is compact, lightweight, rugged and water resistant, able to withstand temperatures from -30°F to 150°F (-35°C to 66°C). It is made from durable materials and comes with at least 15 feet (4.6 m) of cable. The reader is capable of functioning up to distances of 500 feet (152.4 m) when powered from the RAC controller board.

The reader has a blue LED that indicates that the unit is powered. The reader also provides visual feedback when access is granted.



## Regulatory Compliance:

This device complies with Part 15 of the FCC Rules. Operation is subject to the following two conditions: (1) this device may not cause harmful interference, and (2) this device must accept any interference received, including interference that may cause undesired operation.

Any changes or modifications of this product, not approved by manufacturer will void the user's authority to operate the equipment.

"This device complies with Industry Canada licence-exempt RSS standard(s). Operation is subject to the following two conditions: (1) this device may not cause interference, and (2) this device must accept any interference, including interference that may cause undesired operation of the device."

Le présent appareil est conforme aux CNR d'Industrie Canada applicables aux appareils radio exempts de licence. L'exploitation est autorisée aux deux conditions suivantes : (1) l'appareil ne doit pas produire de brouillage, et (2) l'utilisateur de l'appareil doit accepter tout brouillage radioélectrique subi, même si le brouillage est susceptible d'en compromettre le fonctionnement.

FCC # Q8SR79KSR

IC# 4652A-R79KSR

# RFID Wall Reader Instructions - (All Models)

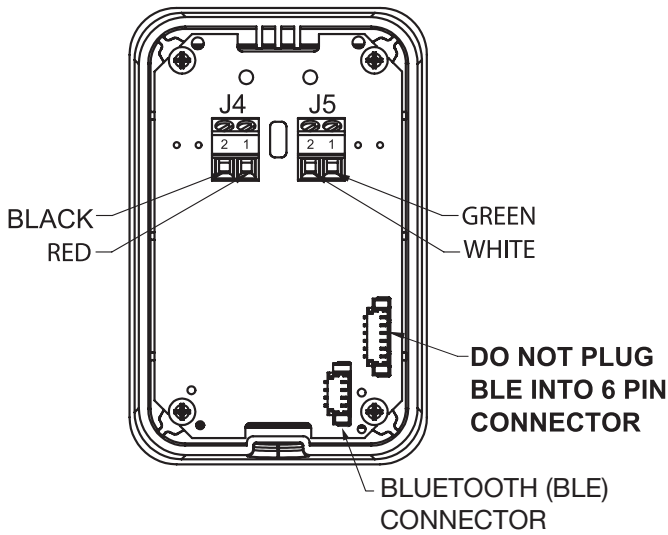


Figure A: RFID Wall Mounted Reader

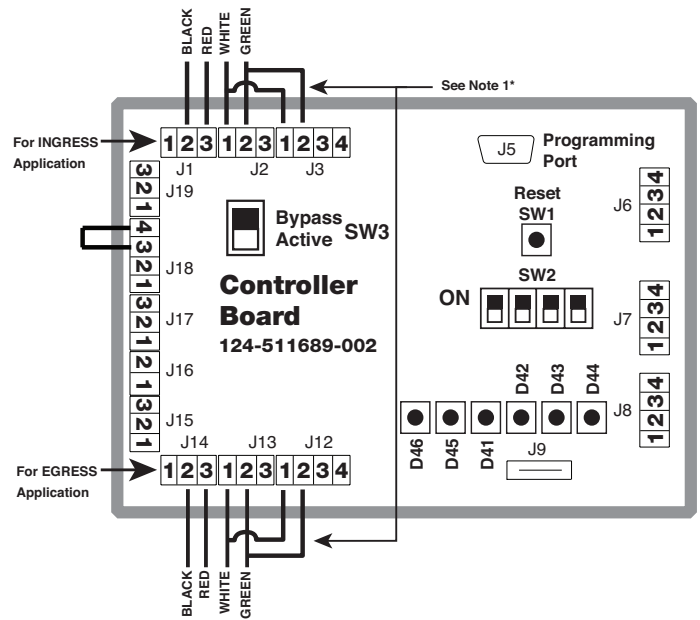


Figure B: RAC 4XT Controller Board  
(Note: RAC 4 Ingress only)

## Instructions

1. Use drilling template provided to prepare surface for installation
2. Route the wire to the rac 4/4xt enclosure and connect to the controller board as per the column "RAC 4/4XT Controller Board Connection" in table 1, or as per Figure B
3. Route the other end of the wire through the hole in the mounting plate to the back of the reader and connect as per column "Reader Connection" in table 1 or as per Figure A

Controller Board to RFID Wall Mounted Reader Connection					
Signal	Reader Connection Terminal Block	RAC4/4XT Controller Board Connection		Wire Color	Comments
		Ingress Reader	Egress Reader		
GND	J4 - 2	J1, Pin 2	J14, Pin 2	Black	GND
+12V	J4 - 1	J1, Pin 3	J14, Pin 3	Red	+12V
RS485+	J5 - 2	J2, Pin 1 + J3, Pin 1*	J13, Pin 1 + J12, Pin 1	White	See Note
RS485-	J5 - 1	J2, Pin 2 + J3, Pin 2*	J13, Pin 2 + J12, Pin 2	Green	See Note

**Note:** Jumper cables as shown in figure B must be connected for the reader to operate correctly.

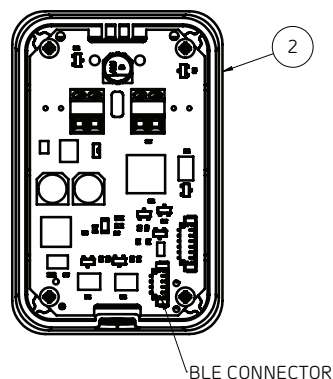
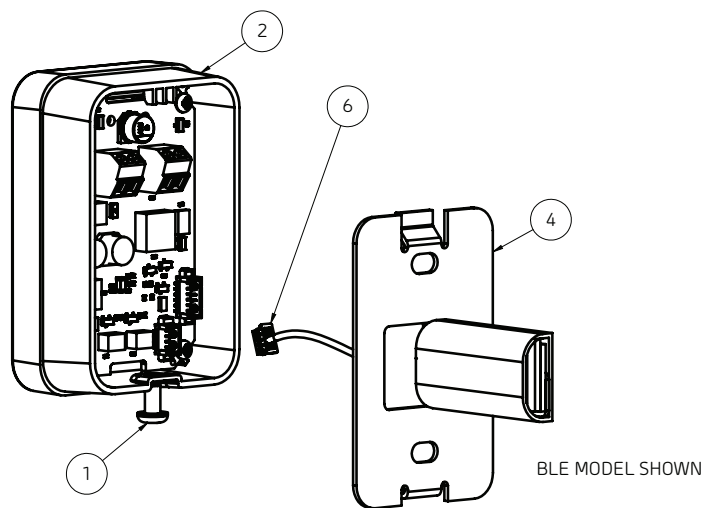
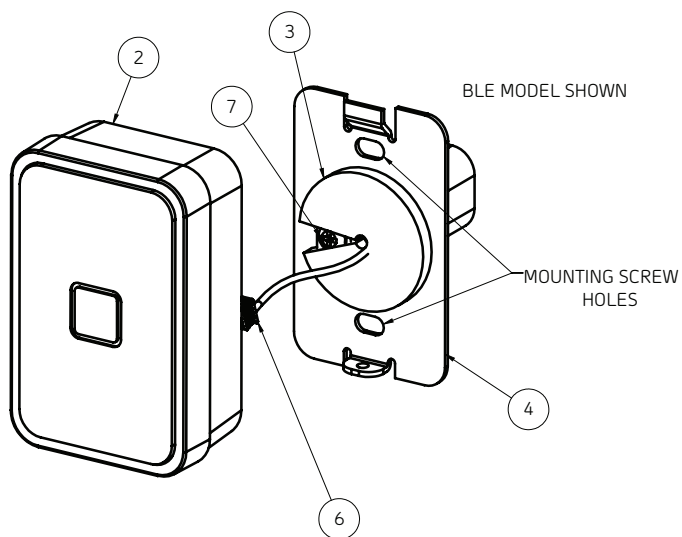
Table 1: RAC 4/4XT RFID Wall Mounted Reader Wire Connections

**Important:** The jumper cables supplied with the reader must be connected as shown in Figure B and Table 1 for the contactless reader to operate properly.

**Note:** The RAC 4 controller board supports a single reader only, for ingress functionality, using connectors J1 and J2.

**Note:** The rac 4XT controller board can support dual readers for ingress (Connectors J1 & J2) and egress (Connectors J13 & J14) functionality.

# RFID Wall Reader Instructions - (Surface Mount)



## Instructions

1. Pull cable(s) for RAC through hole in the back plate and, if applicable, through the gasket then screw the mounting plate of the reader to the wall using the screws provided. Use the 1 1/4" wood screws and inserts for drywall, or use the 1/2" steel screws for mounting on a metal frame
2. Adhere the round gasket (in hardware bag) to the back plate (item #4) with the cutout located so the gasket does not cover the screw (item #7) as shown in Figure 1, if not installed
3. Connect cables for ILCO RAC 4 or RAC 4XT as per page 3 of this document
4. Connect ble cable to ble connector (figure 3)
5. Hook the top of the reader enclosure (item #2) onto the top of the mounting plate (item #4) and secure together with the included screw (item #1), tightened at the bottom of the reader

# RFID Wall Reader Instructions - (Flush Mount)

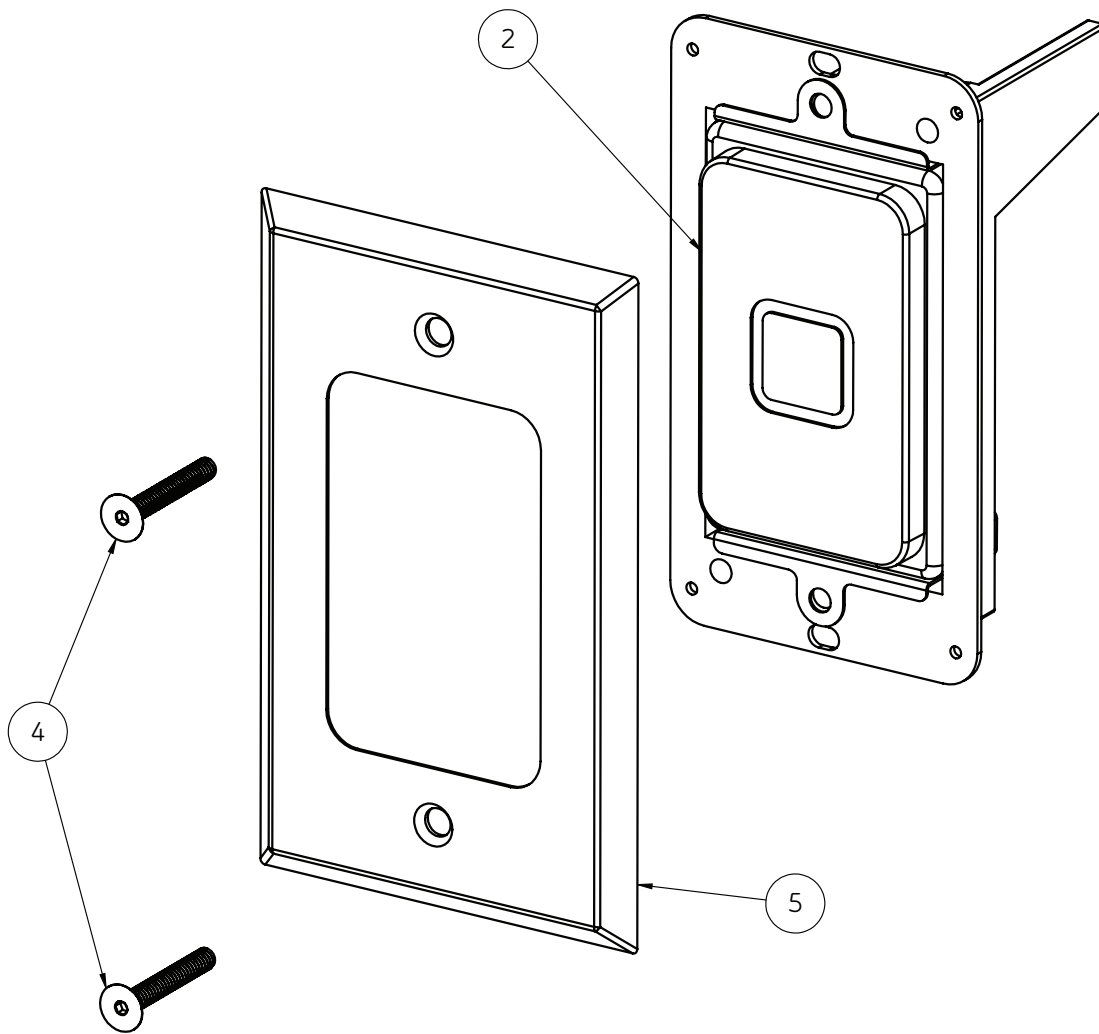


FIGURE 1

## Instructions

1. Remove screws (item #4) to remove reader assembly (item #2) from bracket
2. Install the drywall bracket on the wall
3. Connect cables for ILCO RAC 4 or RAC 4XT as per page 3 of this document
4. Install reader (item #2) then faceplate (item #5) using screws (item #4)

# RFID Wall Reader

## Gang Box Instructions

(USED FOR PART NUMBER R79K-1GXX-XXX)

**WARNING!**  
EXERCISE CAUTION WHEN DISASSEMBLING  
TO AVOID DROPPING THE SPACERS (ITEM #5)

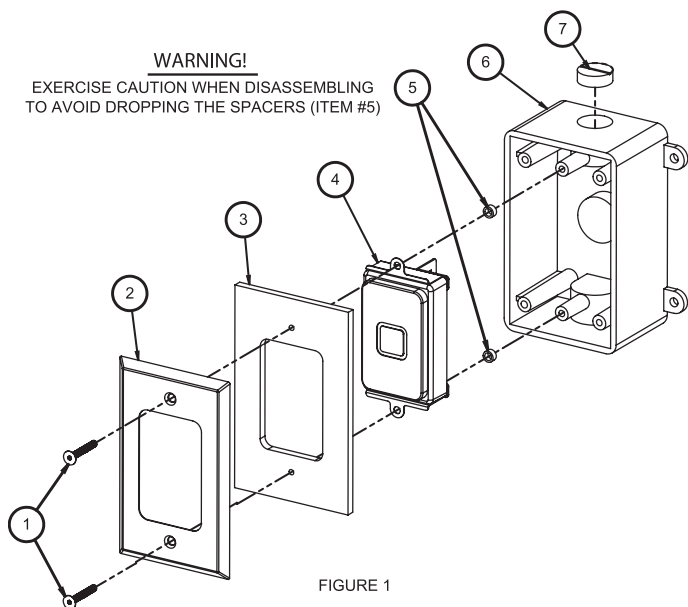


FIGURE 1

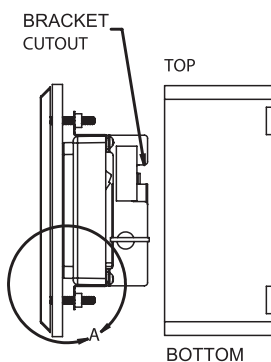
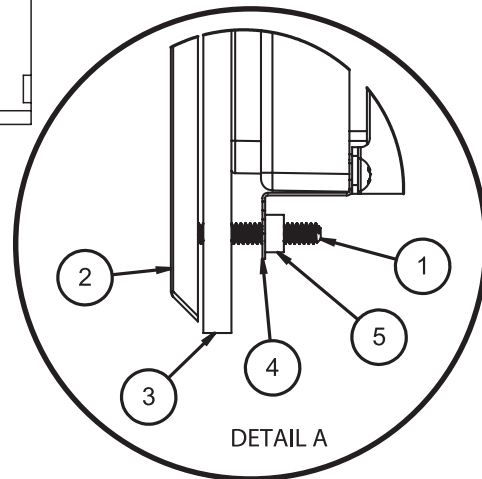
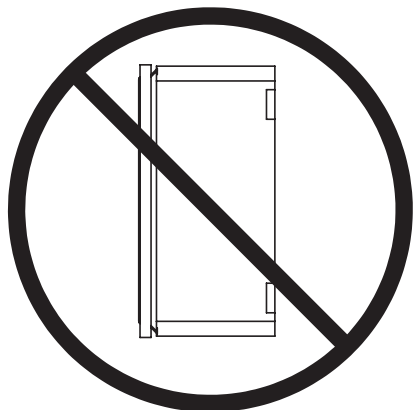


FIGURE 2



DETAIL A



READER SURFACE  
MUST PROTRUDE  
PAST FACEPLATE

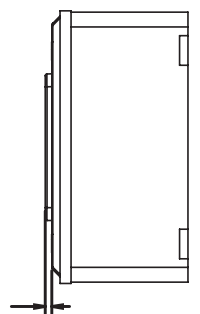


FIGURE 3

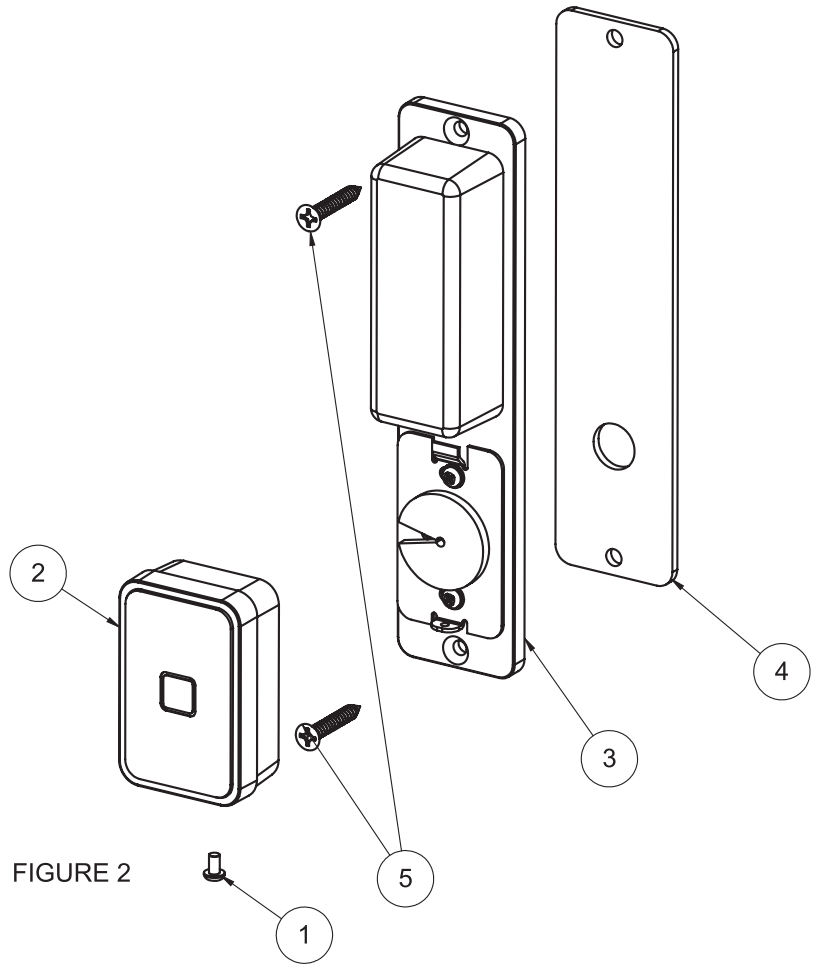
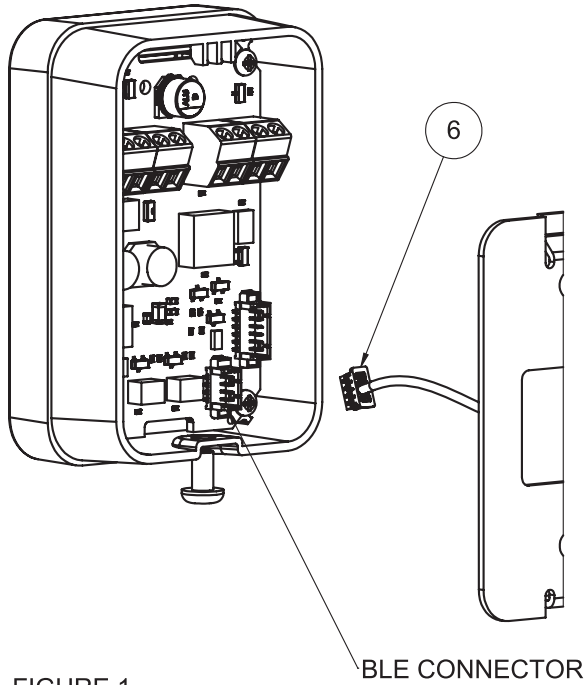
### Instructions

1. Remove screws (item #1) to gain access to reader assembly (item #4)
2. Carefully remove reader assembly (item #4) (see warning above) remove protective film from reader face
3. Install the gang box with proper screws, not provided
4. Connect cables for ILCO RAC 4 or RAC 4XT as per page 3 of this document
5. Reader assembly orientation to be as shown in figure 2 with bracket cutout at the top when installing BLE or as shown on page 3 in Figure A when BLE not installed.
6. Re-assemble items #1 through #5 in order as shown in detail a, then assemble to gang box (item #6) and tighten screws making sure the reader face protrudes past the faceplate as shown in Figure 3

# RFID Wall Reader

## BLE Narrow Stile Mounting Instructions

(USED FOR PART NUMBER R79K-1NXX-XXX)



### Instructions

1. Remove screw (item #1) to gain access to reader assembly (item #2)
2. Disconnect BLE cable (item #6), if necessary
3. Remove protective film from reader face (item #2)
4. Pull cable(s) for RAC through hole in the back plate and, if applicable, through the gasket then attach plate (item #3) to surface using gasket (item #4) and screws (item #5) that are included in the hardware bag
5. Connect cables for ILCO RAC 4 or RAC 4XT as per page 3 of this document
6. Re-connect ble cable (item #6)
7. Re-assemble reader (item #2) to assembly and secure with screw (item #1)

# RFID Wall Reader

## Surface Mount adding BLE Instructions

(USED FOR PART NUMBER R79K-1SX2-XXX)

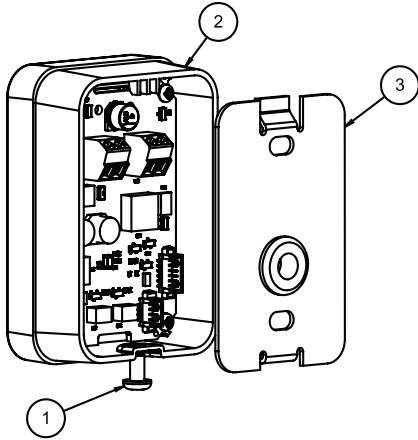


FIGURE 1

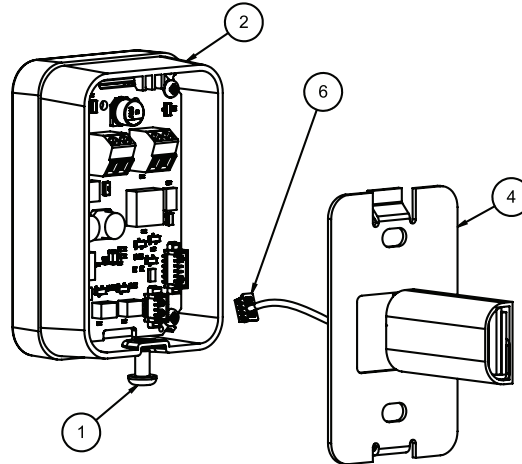
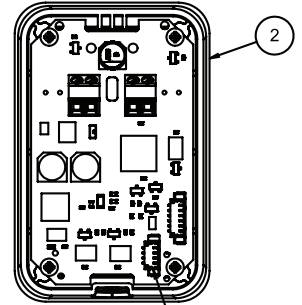


FIGURE 2



BLE CONNECTOR

FIGURE 3

### Instructions

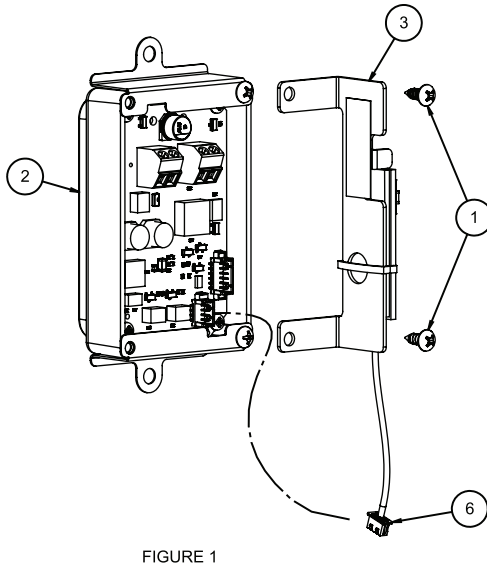
1. Remove screw (item #1) to remove reader assembly (item #2)
2. Disconnect cables and remove mounting plate (item #3) from wall
3. Install BLE mounting plate (item #4) using existing screws, refer to appropriate drilling template
4. Connect cables for ILCO RAC 4 or RAC 4XT as per page 3 of this document
5. Connect BLE cable (item#6) to BLE connector (Figure 3)
6. Re-assemble reader (item #2) assuring that the screw (item #1) is at the bottom



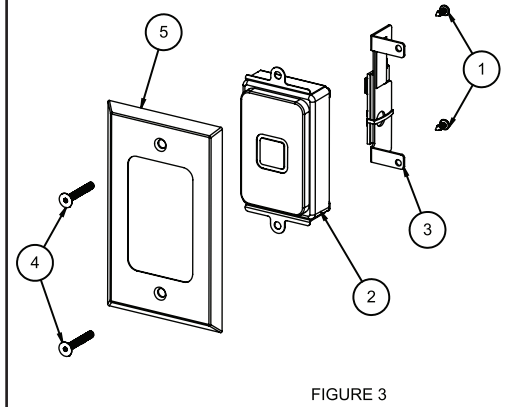
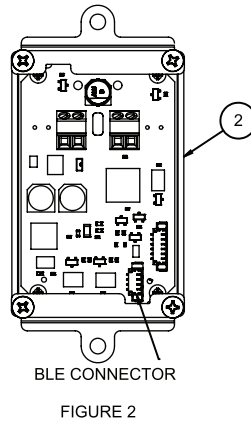
# RFID Wall Reader

## Flush Mount adding BLE Instructions

(USED FOR PART NUMBER R79K-1FX2-XXX)



**WARNING!**  
EXERCISE CAUTION  
WHEN ASSEMBLING TO  
AVOID OVER  
TIGHTENING OF  
SCREWS (ITEM #1).  
OVER TIGHTENING OF  
SCREWS WILL CAUSE  
DAMAGE TO THE  
READER HOUSING.



### Instructions

1. Remove screws (item #4) and faceplate (item #5) to gain access to reader (Figure #3)
2. Disconnect cables
3. Remove screws (item #1)
4. Install BLE assembly (item #3) using screws (item #1) oriented as shown with the cutout at the top and cable facing downward. Refer to warning above
5. Connect cables for ILCO RAC 4 or RAC 4XT as per page 3 of this document
6. Connect ble cable (item #6) to BLE connector (Figure 2)
7. Re-assemble reader (item #2) assuring that the BLE connector is at the bottom

Kaba

Customer Services & Support

Saflok: 1.800.999.6213 / + 1.248.837.3700

General Information:

[www.kabalodging.com](http://www.kabalodging.com)

Online Consumable Orders:

[www.ilcostore.com](http://www.ilcostore.com)

To access all of our easy steps, please visit our Support Website:

[www.kabalodgingsupport.com](http://www.kabalodgingsupport.com)

*PK3660\_07\_16*