

TV

TV 1xx – Electro-mechanical door locking element

Electro-mechanical door locking element for frame installation. Prepared for connection to door terminals with control and interface board TL-S 5 N/TL-S 55.

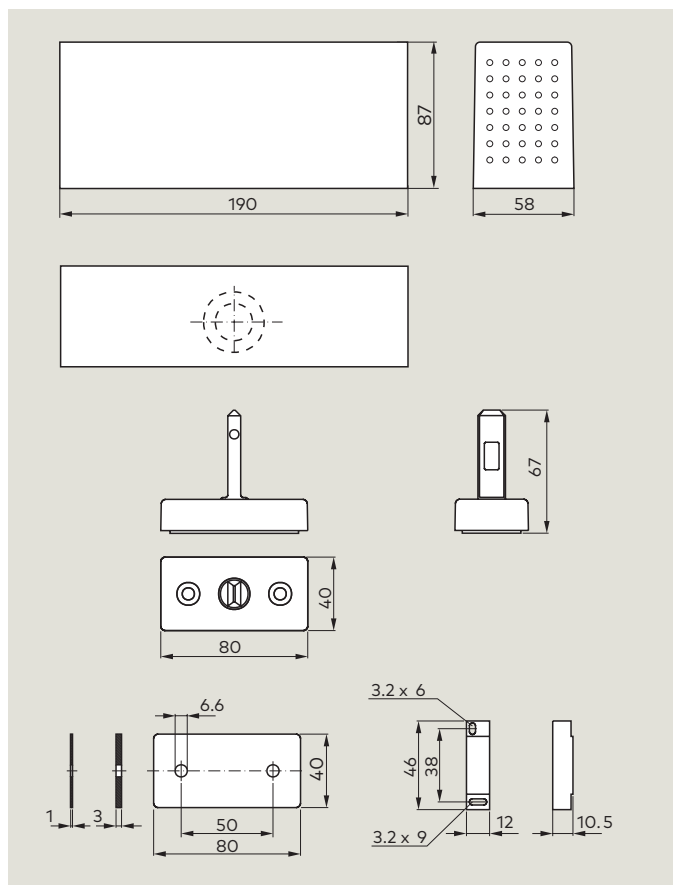
F Approval certification

Installation on fire and smoke check doors is only permitted where these doors are proven to be suitable and the associated service qualification assessment criteria are satisfied.

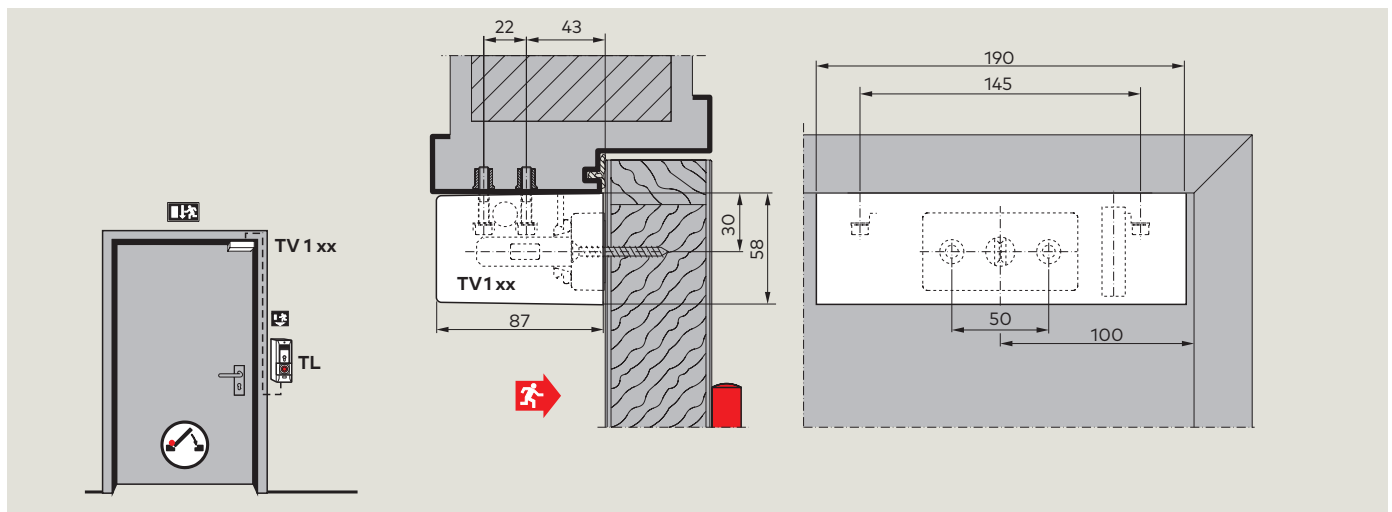
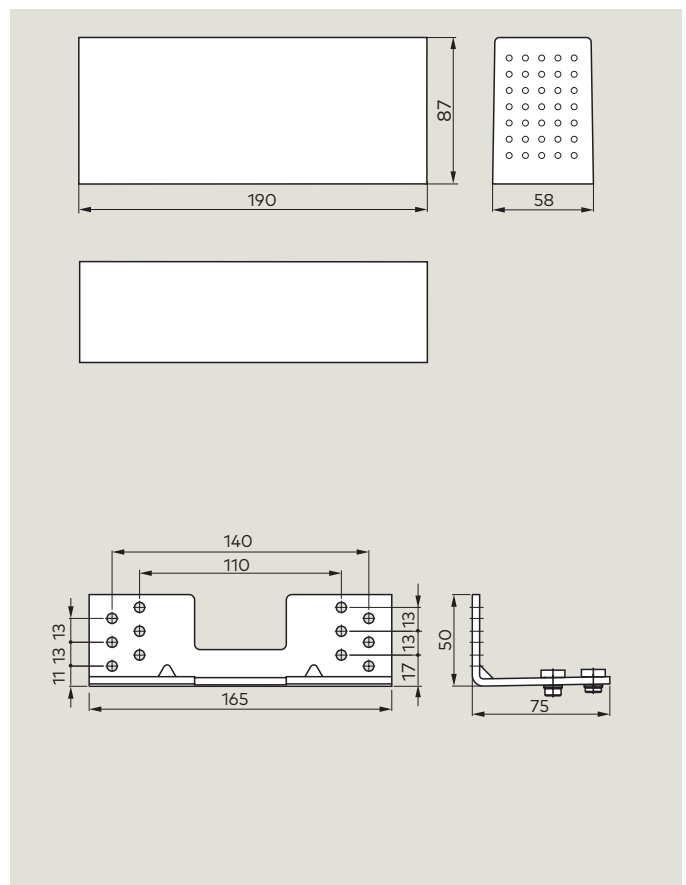
Benefits

- Immediate, jam-free unlocking action.
- Equipped with anti-tamper and door monitoring contacts.
- Max. holding force in accordance with "Requirements for electrical locking systems on doors in emergency escape routes" (German EltVTR code of practice).

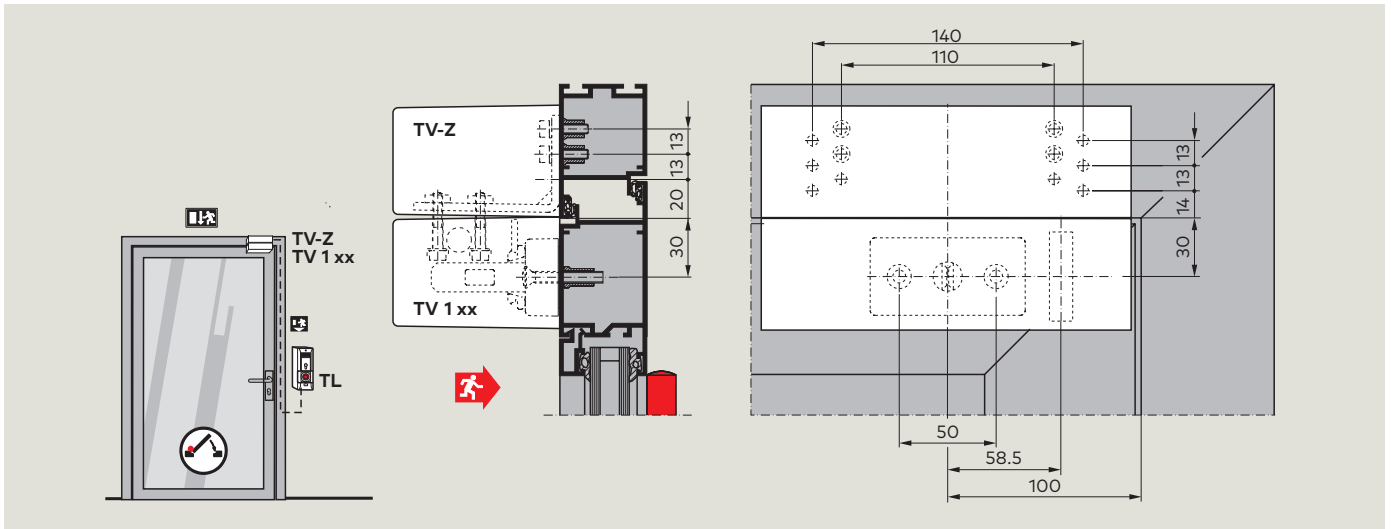
TV 1xx



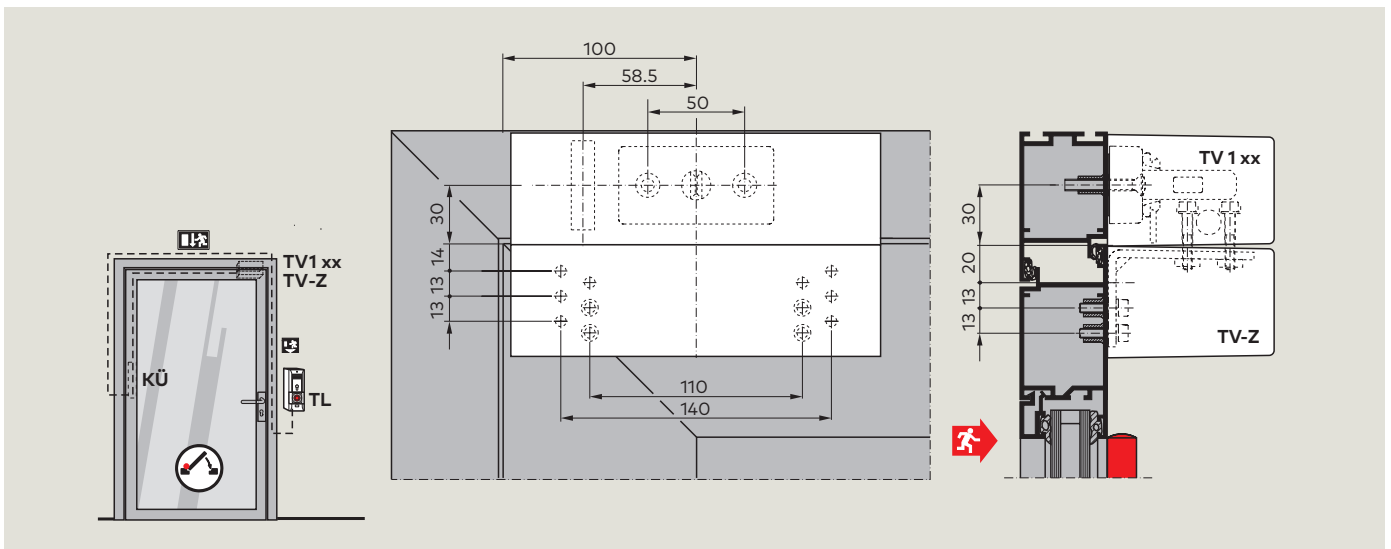
TV-Z



Installation in the frame reveal, outward opening

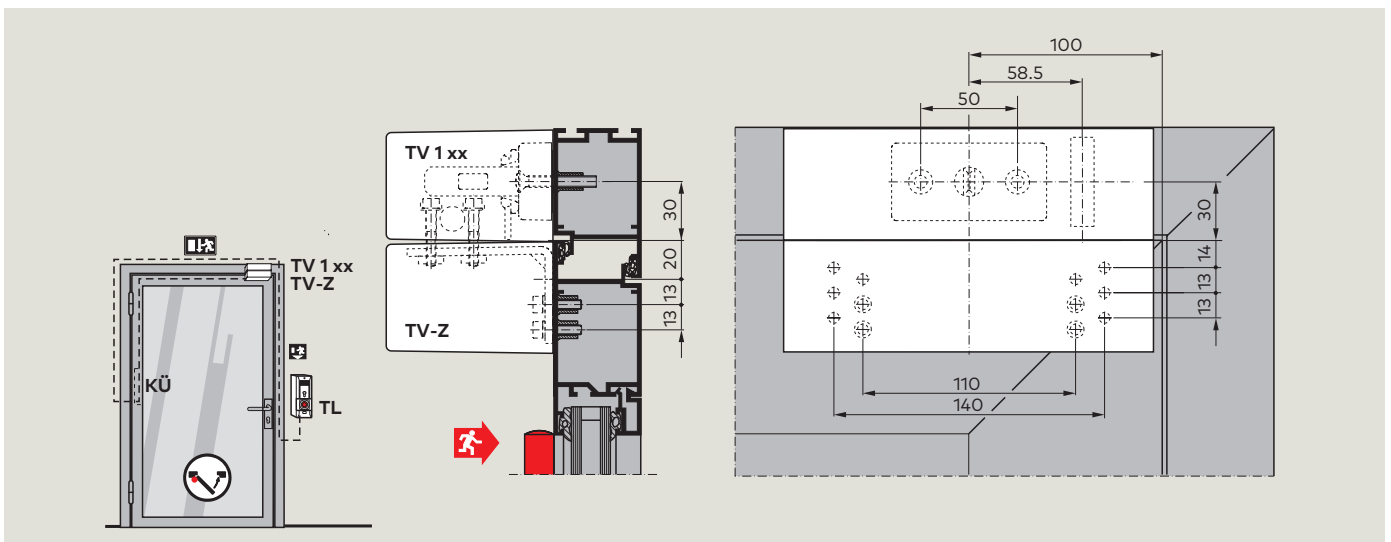


Installation on a flush-closing door with TV-Z on the frame, **outward opening**



Installation on flush-closing door with TV-Z on the door leaf (no headroom restriction), **outward opening**

Note: Units must be provided with a weather guard if installed outdoors.

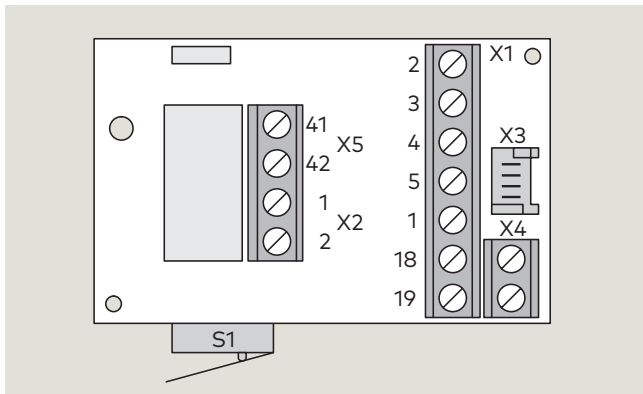


Installation on flush-closing door with TV-Z on the door leaf (no headroom restriction), **inward opening**

TV 1xx – Electro-mechanical door locking element

Technical data	
Power supply:	24 V DC, +15/-10%
Current input:	approx. 250 mA
Contact rating:	24 V, 500 mA (door contact) 24 V, 500 mA inductive / 24 V, 1 A ohmic (feedback signal "lock/unlocked")
Anti-tamper line:	3.3 kOhm terminal resistor
Recommended cabling:	I-Y (ST) Y4 x 2 x 0.6 mm

Terminal assignments and functions



		←	+ 24 V DC	Switched supply ("Emergency Off"-circuit)
		⊥	GND	
X1		→	NC	"TV activated" feedback signal in conjunction with RZ 1x and TL-S, red LED shows
		→	NO	"TV de-activated" feedback signal in conjunction with RZ 1x and TL-S, green LED shows
		←	C	+ 24 V DC
		→	C	Floating feedback "door open/closed"
		→	NC	
X5		→		Anti-tamper line
		→	C	
			NC	

X2 Connection to internal door contact.

X3 Connection to lock solenoid.

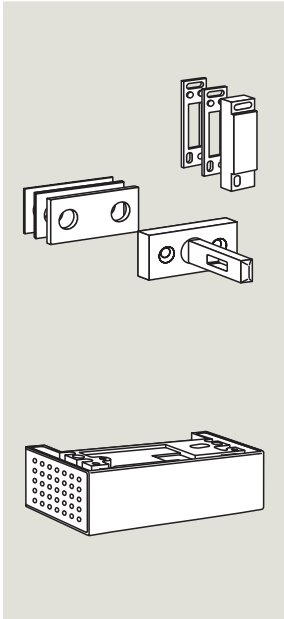
X4 Connection to internal door contact.

S1 Housing anti-tamper contact.

Contact definition: Door closed, TV activated

Specification text

Order No.

**TV 1xx**

Electro-mechanical door locking element (failsafe principle) with anti-tamper and door monitoring contacts, integrated positive-action monitoring for active/inactive status. Housed in anti-corrosion and anti-tamper metal enclosure, spray painted.

Supply includes mountings, shim set and full set of screw fixings.

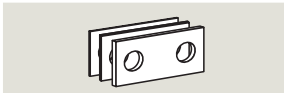
Max. holding force per "Requirements for electrical locking systems on doors in emergency escape routes" (German EltVTR code of practice) with load-independent jam-free unlocking.

For connection to door terminals with control and interface board TL-S 5 N/ TL-S 55

Power supply:	24 V DC +/-10%
Current input max.:	approx. 250 mA
Contact rating:	24 V DC, 500 mA inductive 24 V DC, 1.0 A ohmic
Recommended cabling:	I-Y (ST) Y4 x 2 x 0.6 mm
Dimensions (W x H x D):	approx. 190 x 58 x 87 mm

<input type="checkbox"/> TV 101	silver
<input type="checkbox"/> TV 103	dark brown
<input type="checkbox"/> TV 104	stainless steel "Design" finish
<input type="checkbox"/> TV 111	white (sim. to RAL 9016)
<input type="checkbox"/> TV 199	special colour

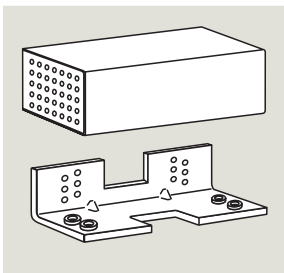
56022101	TV1xx
56022103	
56022104	
56022111	
56022199	

**TV-Z 01**

Shim set to compensate for installation tolerances when mounting the TV1xx electro-mechanical door locking element.

2 shims 1 mm thick, 1 shim 3 mm thick.

56520101 TV-Z01

**TV-Z 1xx**

Mounting unit for installation of TV1xx electro-mechanical door locking element on flush-closing doors. Galvanised steel angle with spray-painted cover; screw fixings tamper-protected.

Dimensions (W x H x D): approx. 190 x 58 x 87 mm

<input type="checkbox"/> TV-Z 101	silver
<input type="checkbox"/> TV-Z 103	dark brown
<input type="checkbox"/> TV-Z 104	stainless steel "Design" finish
<input type="checkbox"/> TV-Z 111	white (sim. to RAL 9016)
<input type="checkbox"/> TV-Z 199	special colour

56522201	TV-Z1xx
56522203	
56522204	
56522211	
56522299	

TV 2xx – Electro-magnetical door locking element

Electro-magnetical door locking element for frame installation. Prepared for connection to door terminals with control and interface board TL-S 5 N/TL-S 55.

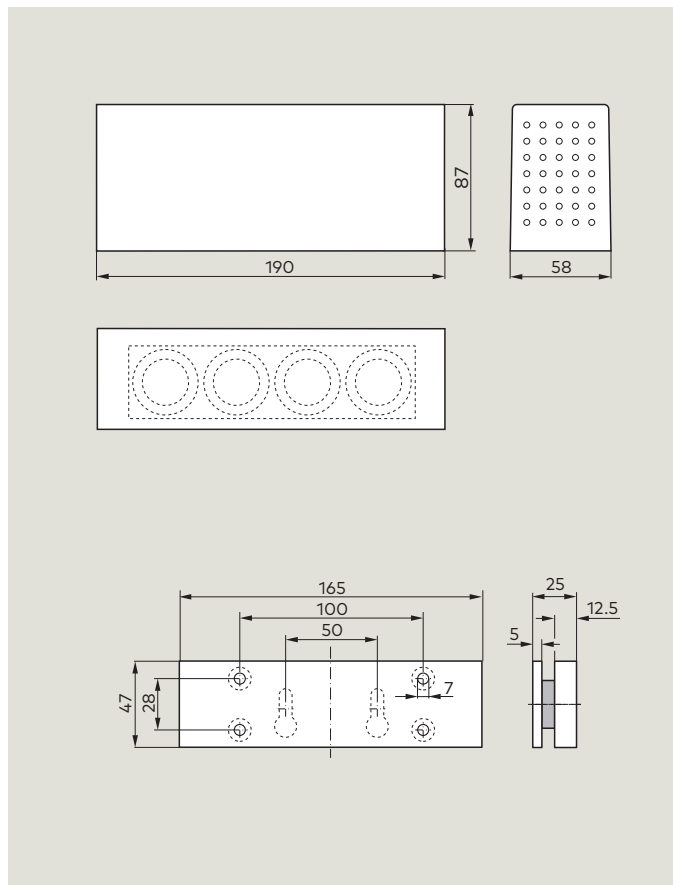
F Approval certification

Installation on fire and smoke check doors is only permitted where these doors are proven to be suitable and the associated service qualification assessment criteria are satisfied.

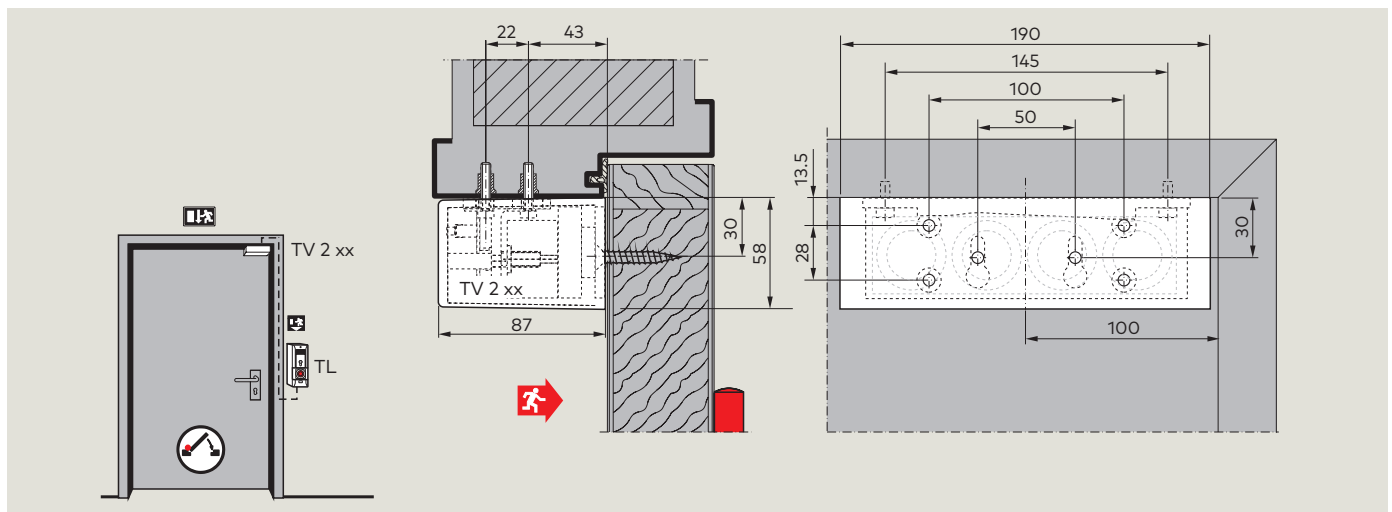
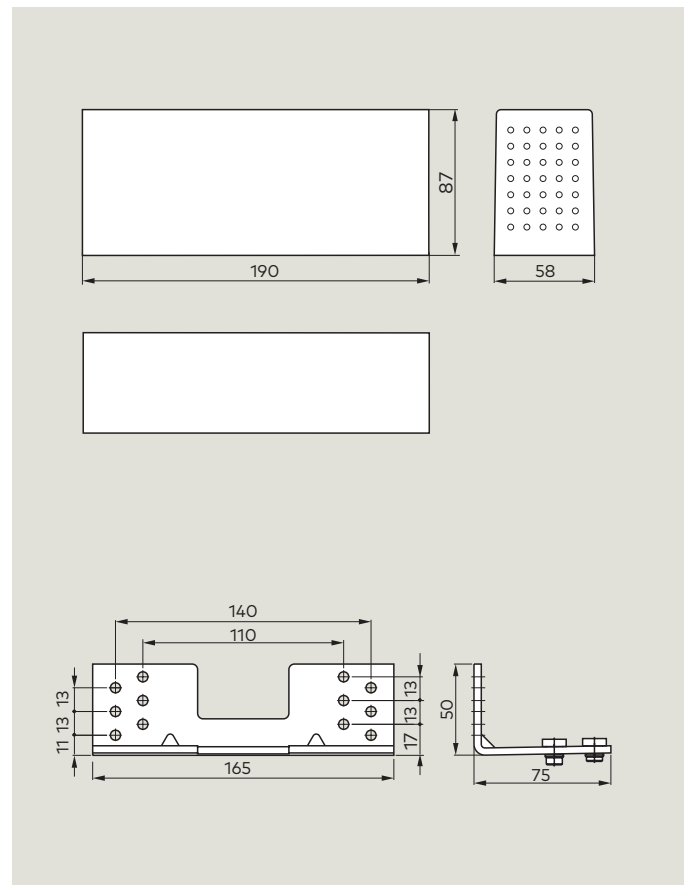
Benefits

- Compact electromagnetic lock with high holding force.
- Equipped with anti-tamper and door monitoring contacts.
- Cardanic suspension and flexible adjustment.
- Max. holding force in accordance with "Requirements for electrical locking system on doors in emergency escape routes" (German EltVTR code practice).

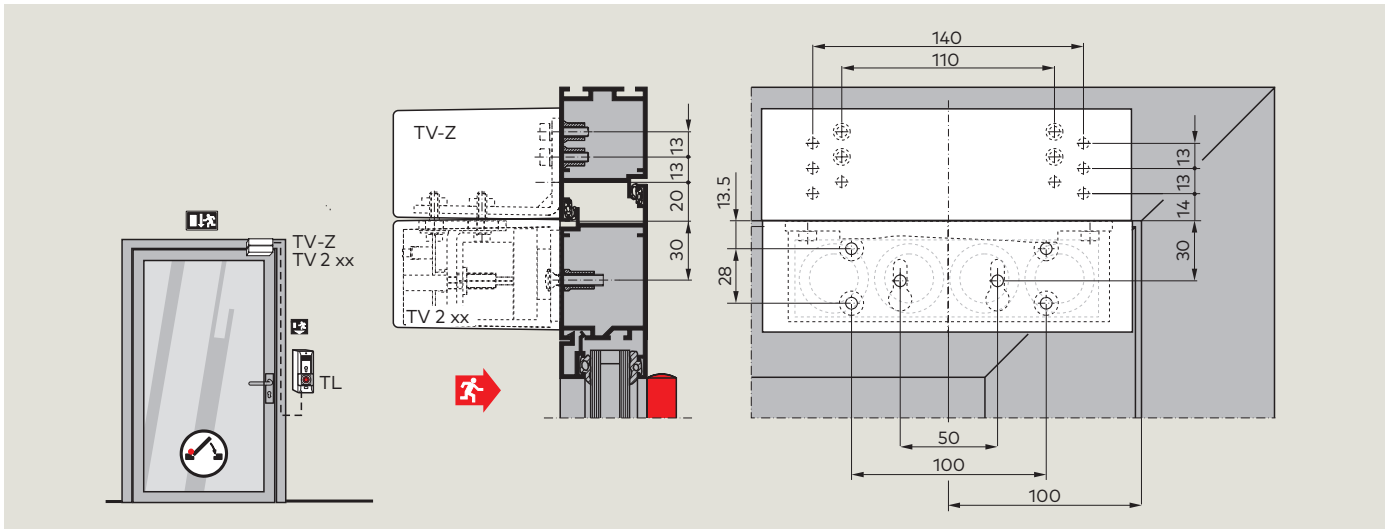
TV 2xx



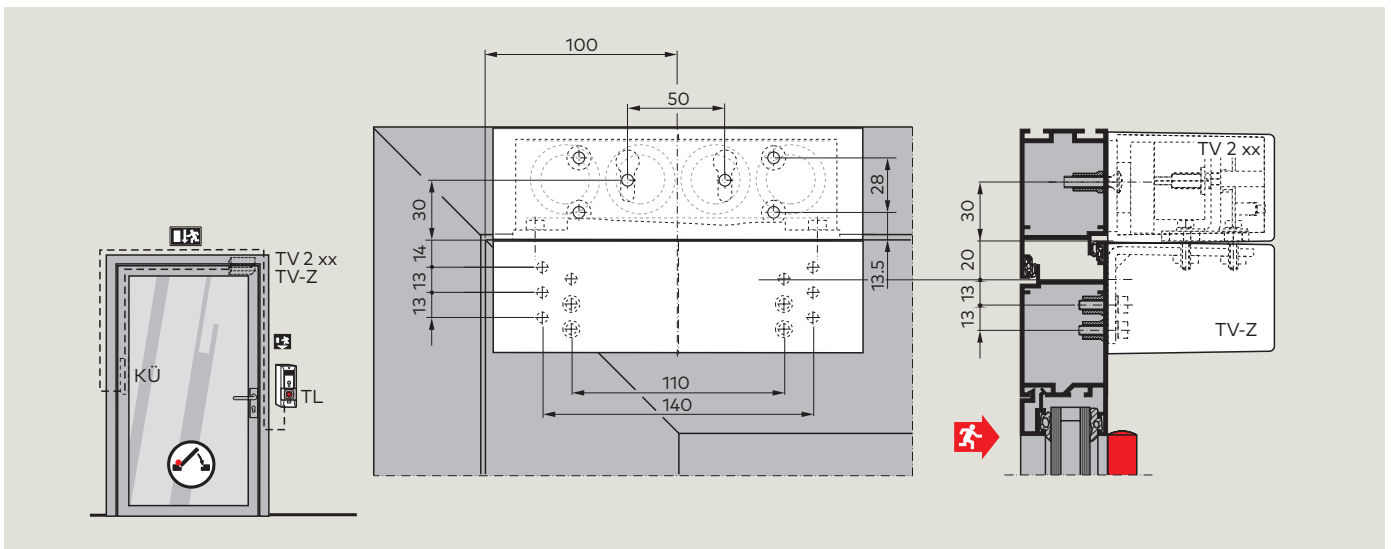
TV-Z



Installation in the frame reveal, **outward opening.**

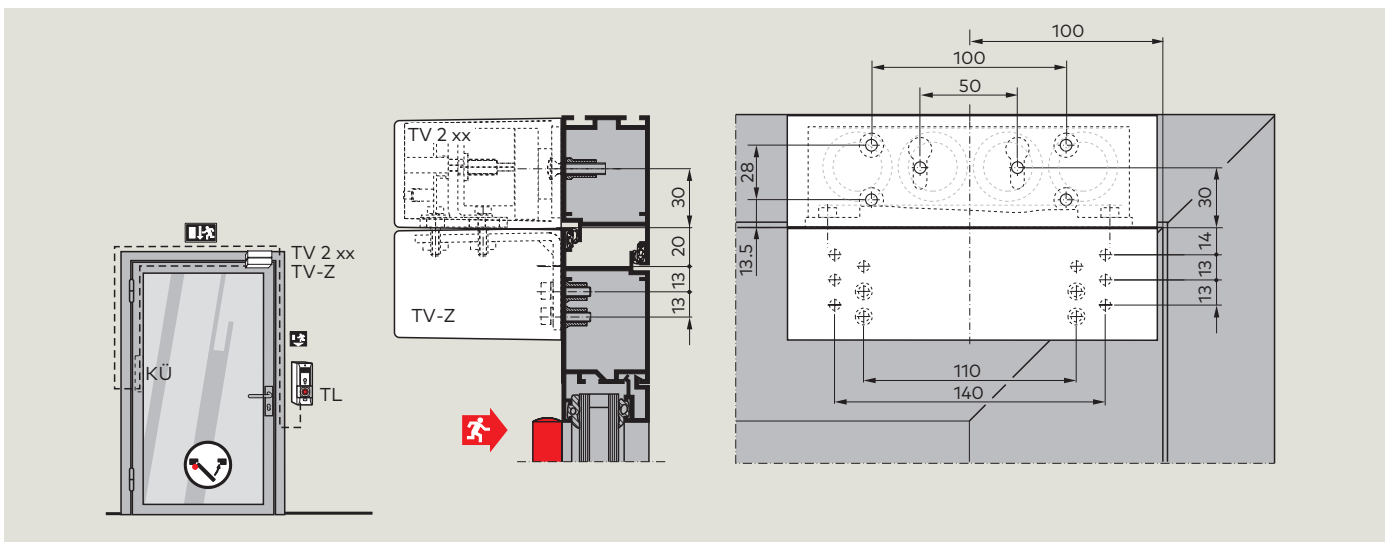


Installation on a flush-closing door with TV-Z on the frame, **outward opening**



Installation on a flush-closing door with TV-Z on the door leaf (no headroom restriction), **outward opening**

Note: Units must be provided with a weather guard if installed outdoors

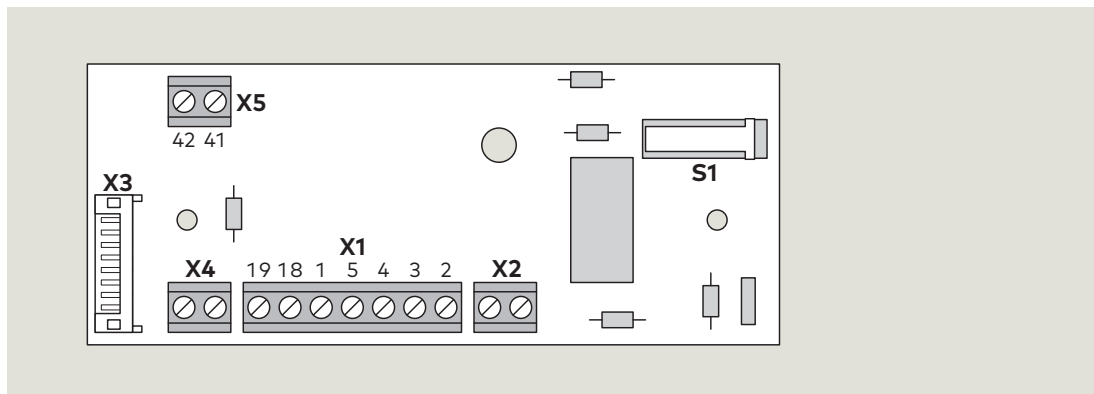


Installation on a flush-closing door with TV-Z on the door leaf (no headroom restriction), **inward opening**

TV 2xx – Electro-magnetical door locking element

Technical data	
Power supply:	24 V DC, +15/-10%
Current input:	approx. 200 mA
Contact rating:	24 V, 500 mA (door contact) 24 V, 500 mA inductive / 24 V, 1 A ohmic (feedback signal "lock/unlocked")
Anti-tamper line:	3.3 kOhm terminal resistor
Recommended cabling:	I-Y (ST) Y4 x 2 x 0.6 mm

Terminal assignments and functions



		←	+ 24 V DC	Switched supply ("Emergency Off"-circuit)
		⊥	GND	
		→	NC	"TV activated" feedback signal in conjunction with RZ 1x and TL-S, red LED shows
		→	NO	
X1		←	C	"TV de-activated" feedback signal in conjunction with RZ 1x and TL-S, green LED shows
		→	C	+ 24 V DC
		→	NC	Floating feedback "door open/closed"
X5		→	$3,3\text{ k}\Omega$ C	Anti-tamper line
		→	NC	
		→		External door contact of jumper

X2 Connection to internal door contact.

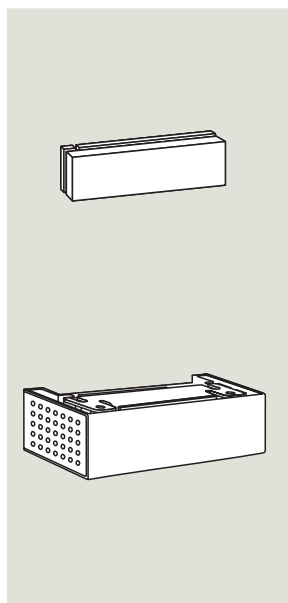
X3 Connection to lock solenoid.

S1 Housing anti-tamper contact.

Contact definition: Door closed, TV activated

Specification text

Order No.

**TV 2xx**

Electro-magnetical door locking element (failsafe principle) with anti-tamper and door monitoring contacts, integrated positive-action monitoring for active/inactive status. Housed in anti-corrosion and anti-tamper metal enclosure, spray painted.

Supply includes armature plate and full set of screw fixings.

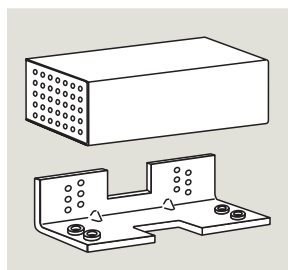
Max. holding force per "Requirements for electrical locking systems on doors in emergency escape routes" (German EltVTR code of practice) with load-independent jam-free unlocking.

For connection to door terminals with control and interface board TL-S 5 N/ TL-S 55.

Power supply:	24 V DC +/-10%
Current input max.:	approx. 200 mA
Contact rating:	24 V DC, 500 mA inductive 24 V DC, 1.0 A ohmic
Recommended cabling:	I-Y (ST) Y4 x 2 x 0.6 mm
Dimensions (W x H x D):	approx. 190 x 58 x 87 mm

<input type="checkbox"/> TV 201	silver
<input type="checkbox"/> TV 203	dark brown
<input type="checkbox"/> TV 204	stainless steel "Design" finish
<input type="checkbox"/> TV 211	white (sim. to RAL 9016)
<input type="checkbox"/> TV 299	special colour

560222 01	TV2xx
560222 03	
560222 04	
560222 11	
560222 99	

**TV-Z 1xx**

Mounting unit for installation of TV1xx electro-mechanical door locking element on flush-closing doors. Galvanised steel angle with spray-painted cover; screw fixings tamper-protected.

Dimensions (W x H x D): approx. 190 x 58 x 87 mm

<input type="checkbox"/> TV-Z 101	silver
<input type="checkbox"/> TV-Z 103	dark brown
<input type="checkbox"/> TV-Z 104	stainless steel "Design" finish
<input type="checkbox"/> TV-Z 111	white (sim. to RAL 9016)
<input type="checkbox"/> TV-Z 199	special colour

565222 01	TV-Z1xx
565222 03	
565222 04	
565222 11	
565222 99	

TV 5xx – Electro-mechanical door locking element

Electro-mechanical door locking element for concealed frame installation. Prepared for connection to door terminals with control and interface board TL-S 5 N/TL-S 55.

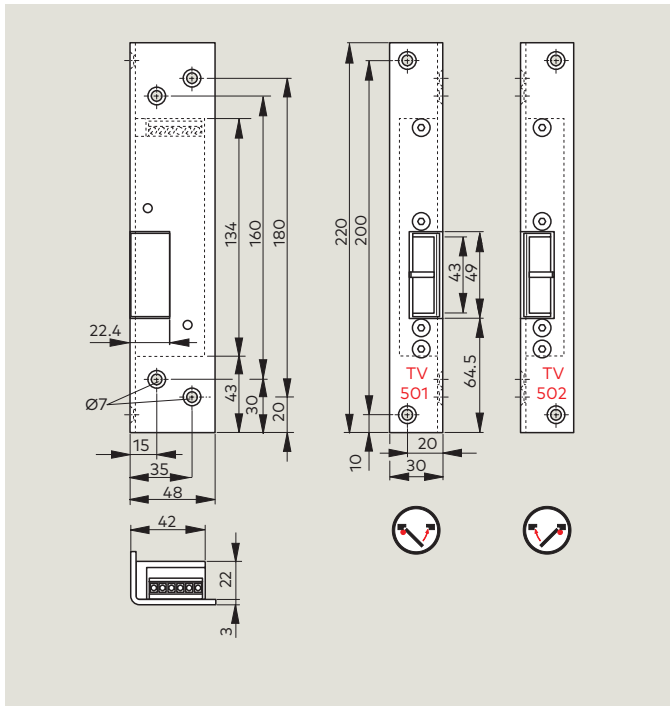
F Approval certification

Installation on fire and smoke check doors is only permitted where these doors are proven to be suitable and the associated service qualification assessment criteria are satisfied.

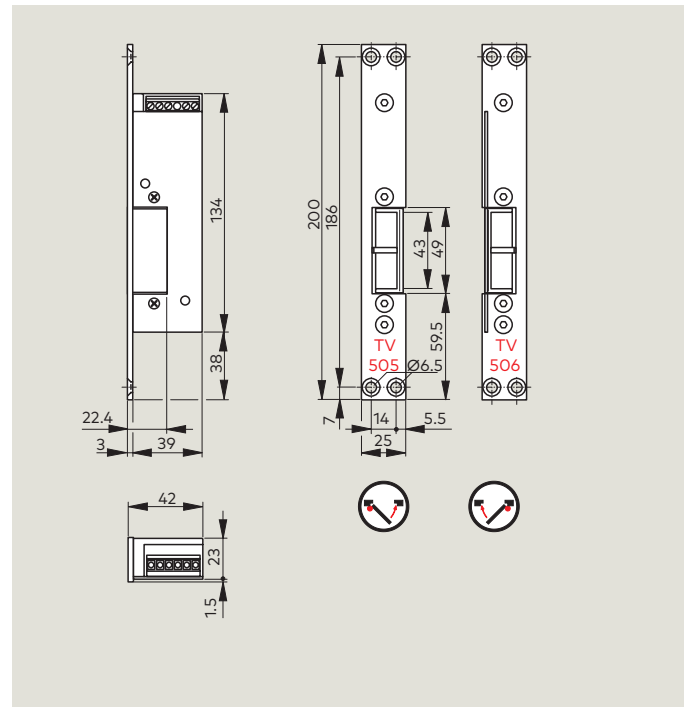
Benefits

- Concealed installation ensures effective anti-tamper protection.
- Integrated feedback contacts for monitoring of active/inactive status.
- Suitable for over-rebated and flush-closing doors.
- Max. holding force per "Requirements for electrical locking systems on doors in emergency escape routes" (German EITVTR code of practice).

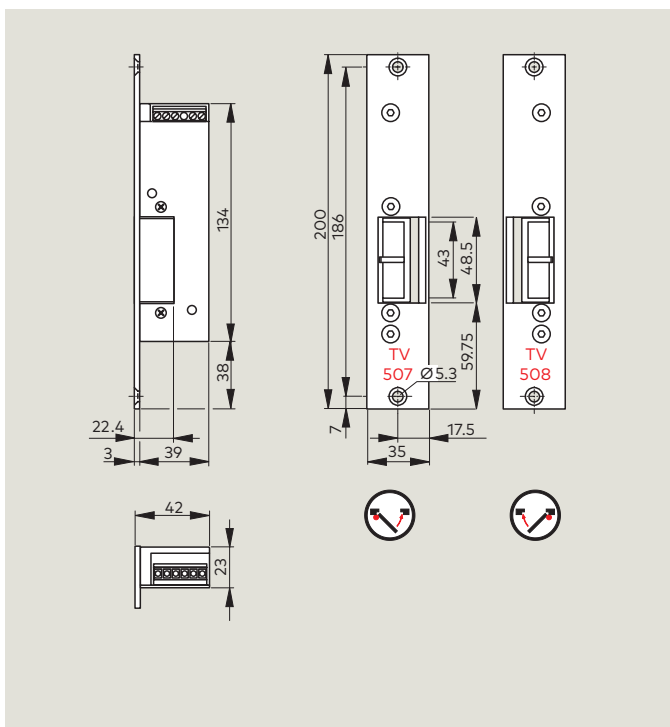
TV 501 / 502



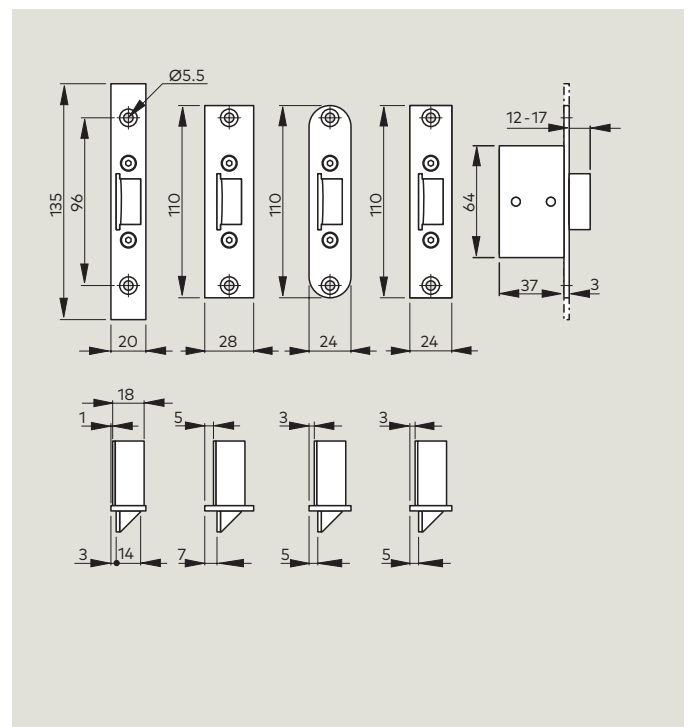
TV 505 / 506



TV 507 / 508



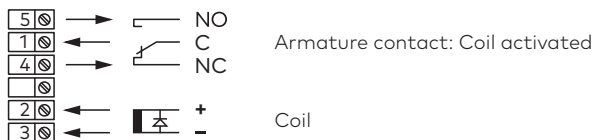
TV 510



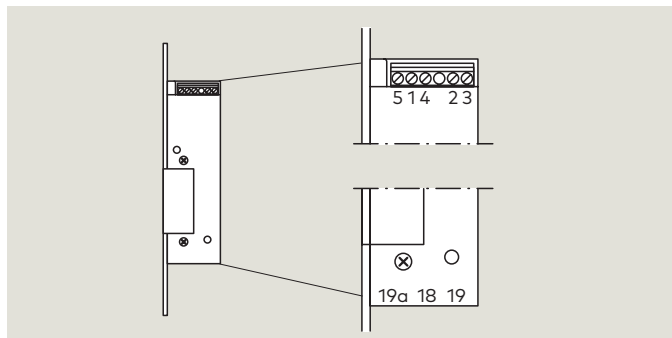
Technical data

Power supply:	24 V DC, +/- 10%
Current input:	max. 58 mA
Contact rating:	24 V DC / 0.5 A inductive 24 V DC / 1.0 A ohmic
Recommended cabling:	I-Y (ST) Y4 x 2 x 0.6 mm

Terminal assignments and functions

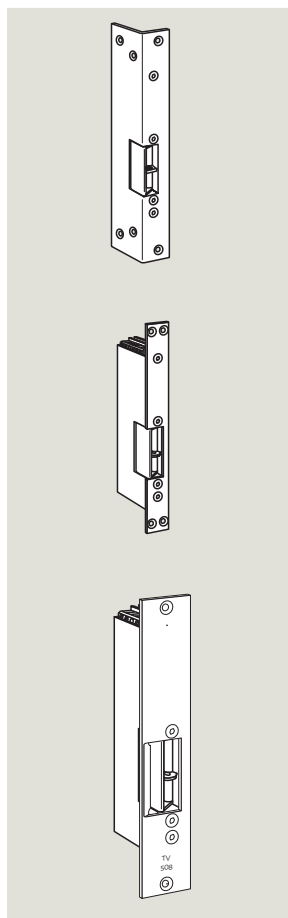


Contact definition: Door closed, TV activated



Specification text

Order No.



TV 5xx

Electro-mechanical door locking element with integrated feedback signal contacts for monitoring active/inactive status.
Supplied with rebated or flanged strike plate and full set of screw fixings.
Max. holding force per "Requirements for electrical locking systems on doors in emergency escape routes" (German EltVTR code of practice) with load-independent jam-free unlocking.
For connection to door terminals with control and interface board TL-S 5 N/ TL-S 55.

Power supply:	24 V DC +/-5%
Current input :	max. 58 mA
Contact rating:	24 V DC, 500 mA inductive 24 V DC, 1.0 A ohmic
Recommended cabling:	I-Y (ST) Y4 x 2 x 0.6 mm
Dimensions (W x H x D) without strike plate:	approx. 23 x 134 x 39 mm

With rebated strike plate 30 x 48 x 220 x 3 mm for over-rebated doors

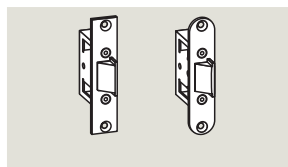
<input type="checkbox"/> TV 501	ISO 6 (LH)	15150124
<input type="checkbox"/> TV 502	ISO 5 (RH)	15150224 TV5xx

With flanged strike plate 25 x 200 x 3 mm for flush-closing doors

<input type="checkbox"/> TV 505	ISO 6 (LH)	15150524
<input type="checkbox"/> TV 506	ISO 5 (RH)	15150624 TV5xx

With flanged strike plate 35 x 200 x 3 mm with latch guide for flush-closing doors

<input type="checkbox"/> TV 507	ISO 6 (LH)	15150724
<input type="checkbox"/> TV 508	ISO 5 (RH)	15150824 TV5xx



TV-Z 510

Mortise latch matched to TV 50x for installation in the door leaf.

Forend dimensions: 24 x 110 x 3	15198124
Forend dimensions: 24 x 110 x 3, edges rounded	15198224
Forend dimensions: 28 x 110 x 3	15198128
Forend dimensions: 20 x 135 x 3	15198120 TV-Z510



www.dormakaba.com

dormakaba Deutschland GmbH
DORMA Platz 1
58256 ENNEPETAL
Germany
T: +49 2333 793-0
F: +49 2333 793-4950

WN 053 566 51532, 12/16, TV, GB, x. XX. 05/09
Subject to change without notice