

The first dormakaba battery-operated hold-open system

G-Ubivis XEA from dormakaba



Fire protection that you can simply rely on

The right fire protection is the be-all and end-all when it comes to planning buildings or retrofitting. Alongside fire doors, what's needed is reliable parts and materials that will react quickly, saving lives in the event of a fire. At the same time, the respective state building regulations (LBO) and special building regulations must be observed.





G-Ubivis XEA: the first battery-operated dormakaba hold-open system. This innovative hold-open system can be installed in a way that saves both time and money.

Exclude fire without connecting to the mains power

G-Ubivis XEA, with its integrated smoke alarm, gives you new freedom in terms of fire protection, without compromising in terms of safety, with no structural measures or costly electrical installations required. The power supply is ensured thanks to the integrated battery set — it enables the system to function smoothly with no elaborate wiring.

We present the G-Ubivis XEA in its best and most reliable form, with a new firmware update coupled with improved battery performance!. Experience the advanced properties this update offers and discover the potential of the G-Ubivis XEA.

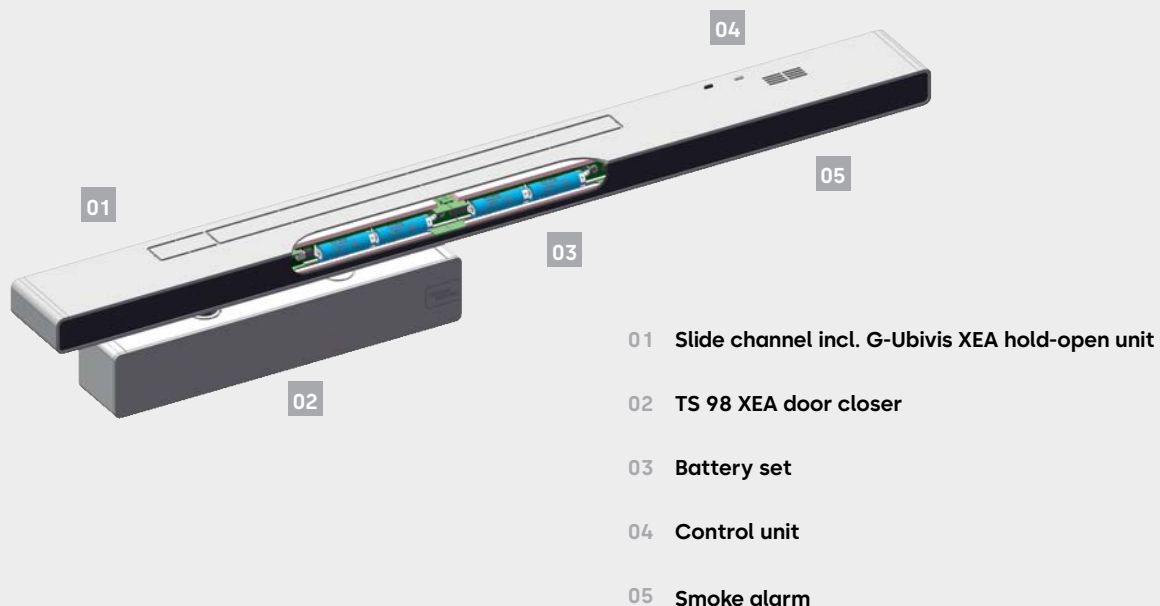
Find out more at: www.dormakaba.com



The G-Ubivis XEA from dormakaba has been approved as a hold-open system by the German Institute of Building Technology in Berlin.

The G-Ubivis XEA has been designed as a hold-open system without the need for a mains connection. Like its mains-operated sister product from dormakaba, it has been approved by the German Institute of Building Technology. This is made possible by the patented hold-open technology, which is incredibly energy-saving. Additionally, a special energy-saving smoke alarm is integrated which, just like mains-connected products, meets all the relevant standards for smoke alarms combined with hold-open systems.

The latest generation of Ubivis now offers you an even more powerful and technically well-engineered hold-open system to meet your specific fire-door requirements. Thanks to firmware updates and hardware adjustments, we not only meet the standard requirements and provide reliable functionality, but we have also adapted the G-Ubivis XEA system even more closely to market needs.



Easy to install:

save effort, time and costs

The advantages are obvious: thanks to the integrated battery-operated power supply, no electrical installation work is necessary to put the system into operation. Any worker can install the device, but it can only be commissioned by a specialist from dormakaba trained in hold-open systems. Major interference with existing building structures, such as laying cables, can also be

avoided. This also eliminates the need for costly restoration work by other tradespeople. Another advantage is that the G-Ubivis XEA can easily be retrofitted using compatible drilling patterns for all G-N slide channels.



No wiring



Does not rely on upstream works



Time-saving



Cost-saving



Retrofittable



Straightforward fire protection where and when you want it

G-Ubivis XEA opens up multiple options for planners, architects and building operators. The system fully demonstrates its advantages particularly when retrofitting existing buildings. In historic buildings, monument preservation often does not permit major interventions in the building's structure, such as laying power cables.

On top of that, the product can be placed in tenders in accordance with DIN 18040 and DIN SPEC 1104/CEN/TR 15894 for accessible construction. Its compact design enables the G-Ubivis XEA to dovetail neatly into nearly all design concepts.





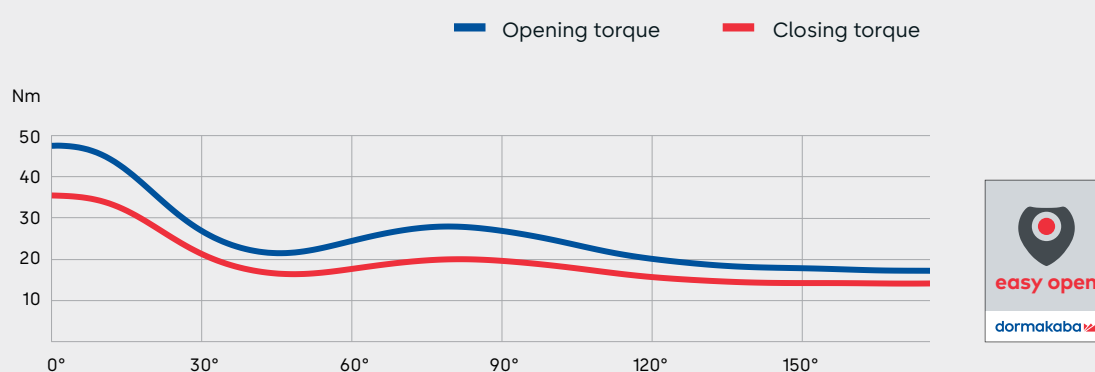
G-Ubivis XEA is already state-of-the-art in the planning process.

dormakaba offers the corresponding digital module for Building Information Modelling (BIM).

Download it here: bimobject.com/de/dorma

Simple facts

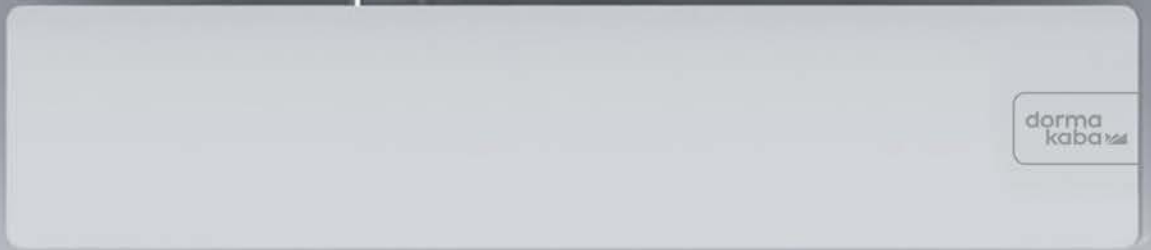
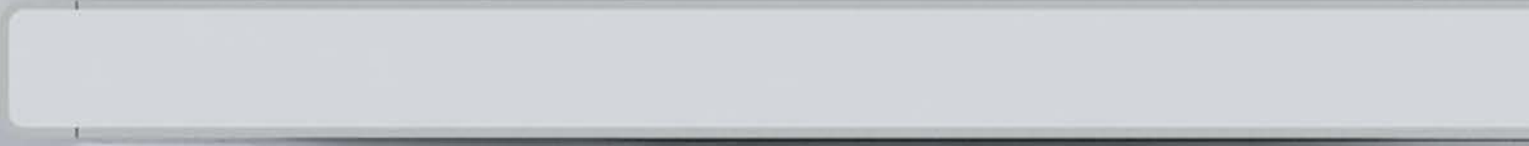
Connecting the G-Ubivis XEA with approved door closers from dormakaba represents a successful synthesis between sophisticated technology and attractive appearance. dormakaba customers benefit from characteristic subtleties such as a significantly reduced opening torque. Because accessibility is a significant prerequisite for a life of independence and freedom. The TS 98 XEA makes this possible thanks to the Easy Open technology available as standard.



G-Ubivis XEA technical data

Degree of protection	IP30
Protection class	III
Door type	1-leaf
Door width	up to 1250 mm
Height	34 mm
Hold-open point	approx 80°–140°
Door opening angle	max. 140°
Trigger point	adjustable
Colours	P 600 silver compare with RAL 9006; P 100 white compare with RAL 9016; P 210 pure white compare with RAL 9010; P 190 black, compare with RAL 9005; P 700 steel colours; P 750 gold and other special colours
Energy supply	Mains-independent thanks to battery

Subject to technical changes. As at 05/18



Simply excellent

cross-model and cross-product design

Colours can be combined in the XEA design

G-Ubivis XEA is available in numerous colours and finishes, and can be seamlessly combined with other dormakaba products. Design freedom as flexible as you need it.



G-Ubivis XEA P 600 silver,
compare with RAL 9006
TS 98 XEA P 600 silver,
compare with RAL 9006



G-Ubivis XEA P 190 black,
compare with RAL 9005
TS98 XEA P 190 black,
compare with RAL 9005



G-Ubivis XEA P 190 black,
compare with RAL 9005
TS 98 XEA P 600 silver,
compare with RAL 9006



G-Ubivis XEA P 190 black,
compare with RAL 9005
TS 98 XEA P 100 white,
compare with RAL 9016



G-Ubivis XEA P 100 white,
compare with RAL 9016
TS 98 XEA P 100 white,
compare with RAL 90166



G-Ubivis XEA P 750 gold
TS 98 XEA P 750 gold

Simply straightforward all-round: breezing through everyday life

G-Ubivis XEA behaves as pleasantly inconspicuously in everyday life as you would expect from a dormakaba product. The service life of the battery set is up to 16 months and is designed to be changed as part of an annual service.

16 MONTHS'
RUN-TIME

Have any questions on fire protection with batteries?

We'll be happy to answer them. It doesn't matter whether you have general questions or questions about specific installation situations – don't hesitate to talk to us. Or send us an email.



**Technical
hotline**



**Digital
planning help**



**Inspection
& maintenance**

Our Sustainability Commitment

We are committed to foster a sustainable development along our entire value chain in line with our economic, environmental and social responsibilities toward current and future generations. Sustainability at product level is an important, future-oriented approach in the field of construction. In order to give quantified disclosures of a product's environmental impact through its entire life cycle, dormakaba provides Environmental Product Declarations (EPD's), based on holistic life cycle assessments.

dormakaba.com/sustainability



Our offering

Access Automation Solutions

Entrance Automation
Entrance Security



Access Control Solutions

Electronic Access & Data
Escape and Rescue Systems
Lodging Systems



Access Hardware Solutions

Door Closers
Architectural Hardware
Mechanical Key Systems



Services

Technical Support
Installation and commissioning
Maintenance and Repair



WN 05451151532, EN, 03/2024
Subject to change without notice



dormakaba.com

dormakaba
International Holding AG
Hofwissenstrasse 24
CH-8153 Rümlang
T +41 44 818 90 11
info@dormakaba.com
dormakaba.com