

# Installation Guide

## Electronic Entry Device

### LA GARD Basic & Gard Series

Document Number 762.128  
Rev. G — 05 / 2018



## GENERAL INFORMATION

In order to maintain the highest quality standards and ensure a problem-free application, please read this guide thoroughly before mounting the input unit. The installation instructions are the basis for Security Agency Approvals. The lock installation must be done in accordance to these instructions in order to maintain the labeled approval level.

Keypad models 5715, 5750 and 5750-K are compatible with 4200 (solenoid) and 4200 (motor), 3800/3801/3802/3803 Firmware, 4300 (solenoid) and 4300M (motor), 6040 (solenoid) and 6040M (motor) High Security electronic locks. They are also compatible with ComboGard Pro (39E) and AuditGard (66E) lock models and firmware.

### SAFEGUARDS FOR MOUNTING

1. Once an electronic lock has been mounted, no more welding can be done on the safe.
2. Keep metal dust, filings, etc. away from the lock.
3. Keep cables away from sharp edges and moving parts.
4. Never carry keypads or locks by the cable.
5. Use 9-Volt ALKALINE batteries only. The use of a high quality, name brand battery (Energizer® or Duracell®) is recommended.

### BASIC TOOLS AND MATERIALS REQUIRED:

- Medium Phillips head screwdriver (#2) (recommend magnetized tip)
- Small flat file or deburring stone
- Tape measure or ruler
- ESD wrist band

### PREPARATION FOR NEW INSTALLATION: (IF REQUIRED)

1. Use the template provided to establish the exact locations (relative to the spindle hole) of the mounting holes for the Entry Device and the lock assembly. Be sure to consider the cable length from the entry device to the lock.
2. The spindle hole diameter can be a minimum of .406" (10.3mm) to a maximum of .438" (11.1mm). The .406" (10.3mm) diameter is recommended. Spindle hole must be deburred.
3. The Entry Device mounting screws require drilled and tapped holes to 3/8" (9.5mm) depth if possible (minimum 1/4" or 6.4mm depth required.) Drill either the two horizontal mounting holes or the two vertical holes.

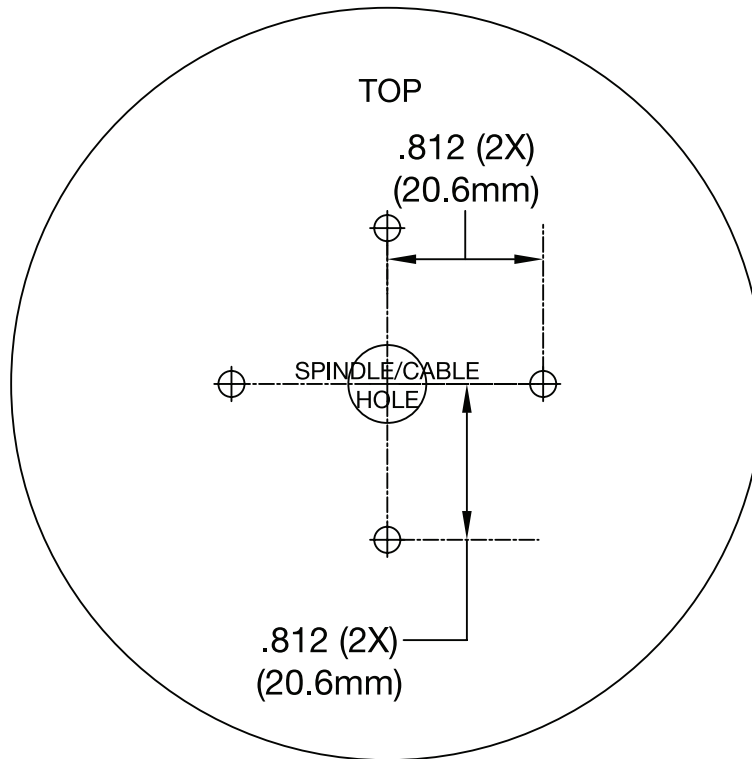
For Lock installation instructions, refer to 717.088 available at [www.dormakaba.us](http://www.dormakaba.us).

### SECURITY RECOMMENDATION:

Security relevant parts of a high security lock should not be accessible to unauthorized persons when the door of the secure storage unit to which it is fitted is open.

**DIAL RING/FRONT HOUSING BASE MOUNTING TEMPLATE**

ENGLISH: #8-32  
METRIC: M4-0.7  
DRILL AND TAP TO 3/8" or 9.5mm DEPTH  
(MIN. 1/4" or 6.4mm)  
(2X) AS REQUIRED

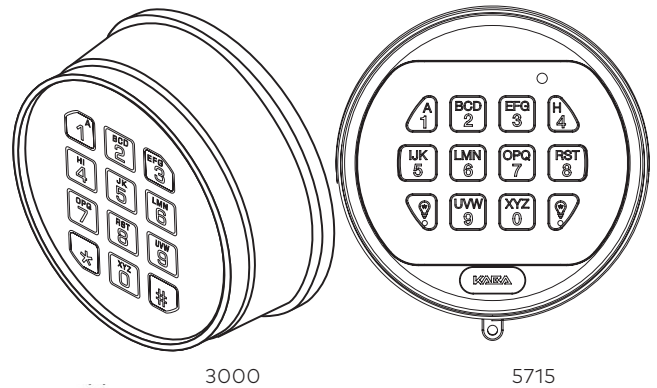
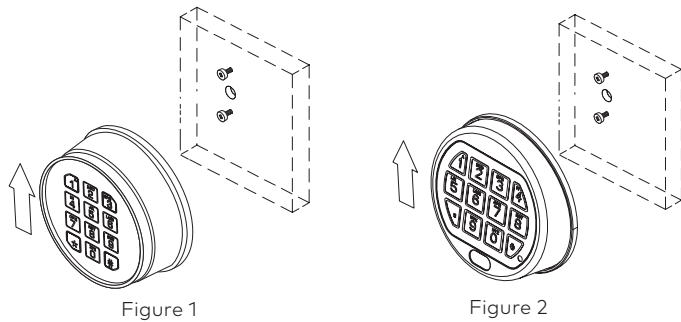


**DO NOT SCALE**

### 3000 AND 5715 ROUND ENTRY DEVICES

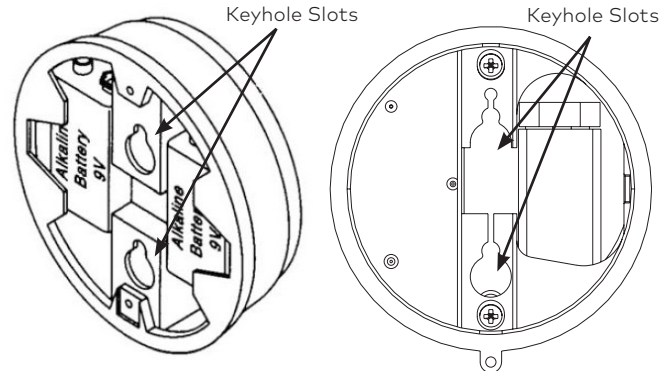
The 3000 and 5715 Entry Devices are designed with keyhole slots for ease of mounting and battery replacement.

1. Install the two #8-32 shoulder screws (US) or the M4-0.7 shoulder screws (metric) to mount the Entry Device to the door.
2. Feed the key pad cable through the spindle cable hole from the front of the safe door. Leave approximately 2 inches (50mm) of the cable extended out the front of the container door, to allow for battery replacement.
3. Position the Entry Device over the mounting screws and then slide the Entry Device down onto the mounting screws. (Figures 1 & 2)
4. Ensure that the Entry Device cable is running through the channel at the back of the lock.



3000

5715



Keyhole Slots

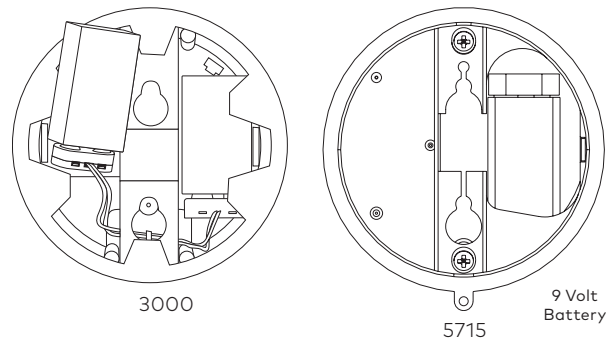
Keyhole Slots

#### INSTALLING BATTERIES

1. Slide the keypad housing up and carefully pull away from mounting surface to expose battery compartment.

**CAUTION!** Hold onto the battery connector to avoid pulling the wires out of the board.

2. Connect a new 9-Volt alkaline battery to the battery connector.
3. Push the battery and the leads completely into the battery compartment.
4. Repeat procedure for second battery ( 3000 only).
5. Carefully position the keypad over the mounting screws and slide the keypad housing down. Ensure there are no wires or cables trapped between the Entry Device and the safe door.



3000

5715

9 Volt Battery

### 3035 AND 3125 ROUND ENTRY DEVICES

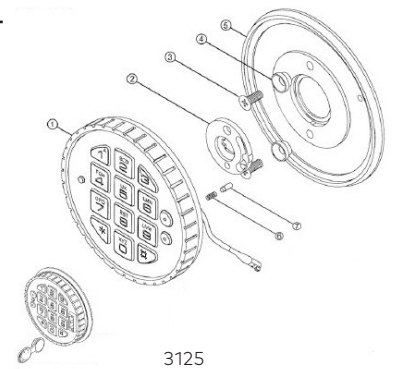
**NOTE:** The 3125 entry is not UL listed.

#### SWING BOLT

1. Mount the dial plate (p/n 2676) centered on the through hole. Attach the dial plate with the two mounting screws US 8-32 (US) or the M4-0.7 (metric), and the shoulder bushings (p/n 2618).
2. Slide the bearing plate (p/n 2674) over cable and press onto the fasteners on the Entry Device.
3. Feed the key pad cable through the spindle cable hole from the front of the safe door.
4. Insert the springs (p/n 2893) and blocking pins (p/n 2894) into the hole located on the back of the key pad.
5. Rotate the key pad approx. 30° counter-clockwise and place onto the bushings. Then turn the key pad clockwise until the blocking pin clicks, and secures the Entry Device to the safe door.

**WARNING:** Once installed, the Entry Device cannot be removed from the safe door without causing physical damage to the Entry Device.

6. When installing the lock, ensure that the Entry Device cable is running through the channel at the back of the lock.



3035 & 3125 Entry Device (Swing Bolt Option)

1. Key Pad
2. Bearing Plate
3. Mounting Screws
4. Shoulder Bushing
5. Dial Plate
6. Spring
7. Blocking Pin

**DEAD/SPRING BOLT**

1. Mount the dial plate (p/n 2676) centered on the through hole. Attach the dial plate with the two mounting screws US 8-32 (US) or the M4-0.7 (metric), and the shoulder bushings (p/n 2618).
2. Measure total mounting thickness (door thickness + mounting plate). (Figure 3)
3. Cut the spindle to a length of .700" (17mm) plus the total mounting thickness.

**NOTE:** the spindle must be deburred.

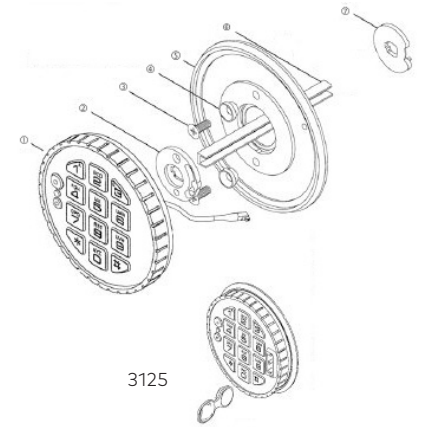
4. Insert the spindle into the keypad, and route the cable in the groove of the spindle.
5. Slide the bearing plate (p/n 2674) over the cable, and press onto the fasteners on the Entry Device.

**NOTE:** It is important to make sure the cable will not rub on the dial plate after assembly.

6. Feed the Entry Device's cable and spindle through the spindle/cable hole from the front of the safe door.

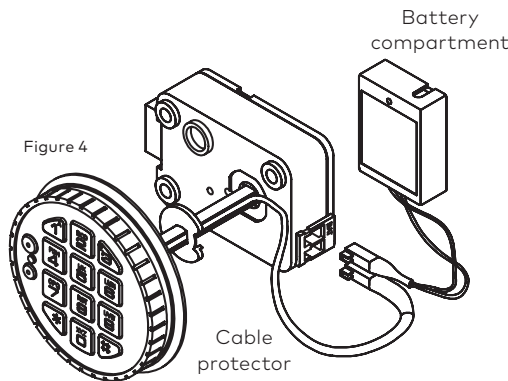
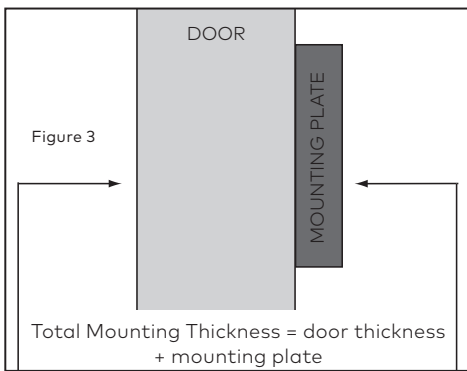
**WARNING:** Spring and blocking pin are NOT installed when Entry Device is used with either the dead bolt or spring bolt locks.

7. Rotate the key pad approx. 30° counter-clockwise and place onto the bushings.
8. Then turn the key pad clockwise until the key pad is vertical (Figure 4).



3035 & 3125 Entry Device (Dead Bolt/Spring Bolt Option)

- |                     |                    |
|---------------------|--------------------|
| 1. Key Pad          | 5. Dial Plate      |
| 2. Bearing Plate    | 6. Spindle         |
| 3. Mounting Screws  | 7. Cable Protector |
| 4. Shoulder Bushing |                    |



9. The spindle should protrude between .300" - .350" (8 - 9 mm) through the safe door.
10. Slide the cable protector (p/n 2754) over the cable and spindle, until the flat side rests against the inside of safe door. Route the cable through the groove of the cable protector.
11. Gently pull on the cable to assure that there is no excess cable in the spindle hole that would rub on the metal door.
12. Install the lock with the bolt extended onto the spindle.

**INSTALLING BATTERIES**

The 3035/3125 Entry Device require either a battery box (2788 or 4001), or a battery/alarm box (2789 or 4002) to provide power to the lock.

**NOTE:** The 3125 Entry is not UL listed. The Battery and Battery/Alarm boxes have not been UL evaluated.

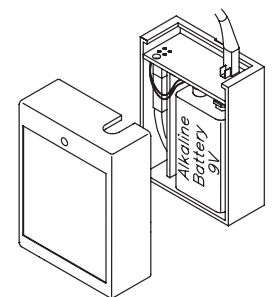
Mount the battery box inside the safe, and connect the cable coming from the battery box directly into the connector port marked BAT on the lock.

**Small Battery and Battery/Alarm Box:**

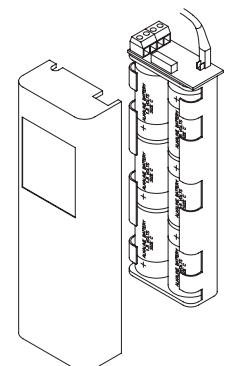
1. Open safe door.
2. Remove battery box cover by pulling the front portion away from the safe door.

**CAUTION!** Hold onto the battery connector to avoid pulling the wires out of the board.

3. Connect a new 9-Volt alkaline battery to the battery connector.
4. Push the battery and the leads completely into the battery compartment.
5. Replace the cover and test the lock several times before closing the door.



2788 Small Battery Box or 2789 Small Battery Alarm Box



4001 Large Battery Box 4002 Large Battery Alarm Box



**LARGE BATTERY AND BATTERY/ALARM BOX:**

1. Open safe door.
2. Remove battery box cover by pulling the front portion away from the safe door.
3. Insert six new "C" cell alkaline batteries
4. Replace the cover and test the lock several times before closing the door.

**5750 AND 5750-K ENTRY DEVICE**

Figure 5 – 5750/5750-K battery door clearance required

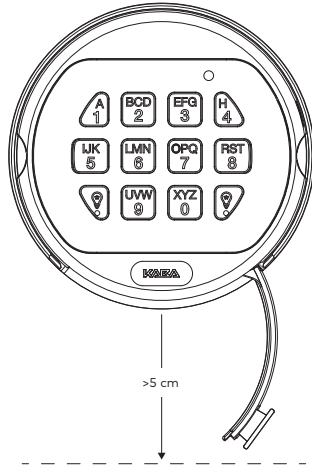


Figure 6

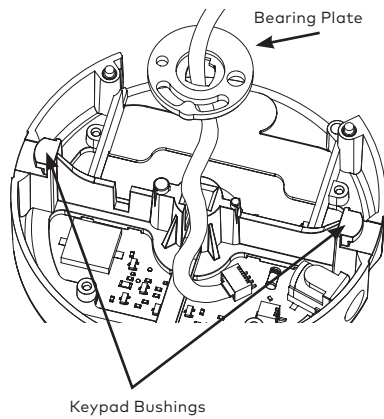
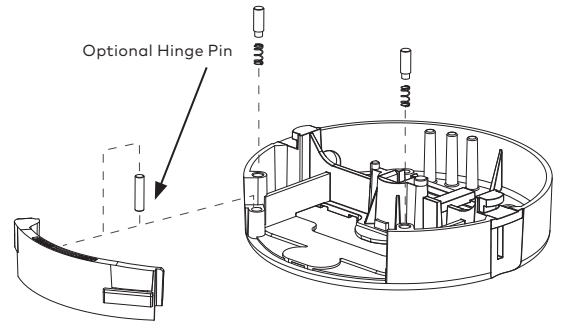


Figure 7 – Blocking Pin and optional Hinge Pin placement.



**NOTE:** The 5750 and 5750-K Entry Device has the option of a permanently attached hinged battery door or a removable battery door. The installer must decide which option to use before STEP 6 below. To allow full operation of the permanently attached hinged battery door, there should be at least 5 cm of clearance from any object on the safe, such as a knob or handle, directly beneath the bottom edge of the dial plate. See Figure 5.

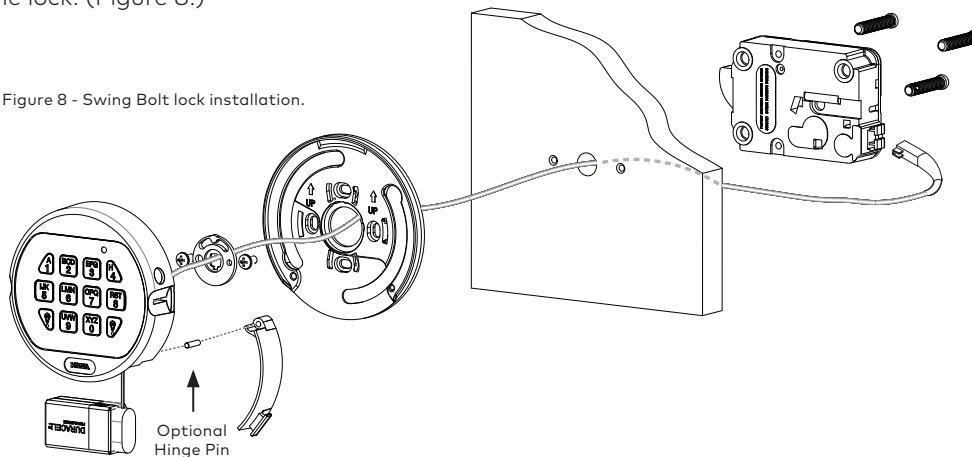
**SWING BOLT**

1. Mount the dial plate (p/n 3752) centered on the through hole. Attach the dial plate with the two mounting screws US 8-32 (US) or the M4-0.7 (metric).
2. Slide the bearing plate (p/n 2674) over cable and press onto the fasteners on the Entry Device (Figure 6).
3. Feed the key pad cable through the spindle cable hole from the front of the safe door.
4. Insert the two springs (p/n 2893) and blocking pins (p/n 2894) into the holes located on the back of the keypad (Figure 7).
5. Skip this step if the battery door is to be removable. Otherwise, attach the battery door to the keypad, by first inserting the hinge pin into the hole on the battery door and then insert the battery door with hinge pin into the hinge pin hole on the keypad housing (adjacent to the locking pin hole). See Figure 7.

**WARNING:** If the battery door is to stay permanently attached, the hinge pin must be inserted before the keypad is secured to the dial plate (step 6). Once the keypad is fully installed, the hinge pin cannot be added or removed from the safe door without the possibility of physical damage to the Entry Device or Dial Plate or both.

6. Rotate the keypad approximately 30° counter-clockwise and guide the keypad bushings into the large openings on the dial plate. Then, turn the keypad clockwise until the blocking pins click into place and the keypad can no longer rotate.
7. When installing the lock on the opposite side of the safe door, ensure that the keypad cable is routed through the channel on the base of the lock. (Figure 8.)

Figure 8 - Swing Bolt lock installation.



**DEAD BOLT/SPRING BOLT**

1. Mount the dial plate to safe (p/n 3752) centered on the through hole (Figure 5). Attach the dial plate with the two mounting screws US 8-32 or the M4-0.7 (metric) making sure to rotate the dial plate counter clockwise prior to tightening down.

---

**NOTE:** The spindle must be deburred but not rounded off.

---

2. Insert the spindle into the keypad, making certain it is fully seated; route the cable in the groove of the spindle (Figure 9).
  3. Slide the bearing plate over the cable and spindle, and press onto the fasteners on the Entry Device.
  4. Feed the Entry Device's cable and spindle through the spindle/cable hole from the front of the safe door.
- 

**WARNING:** Spring and blocking pin are NOT installed when Entry Device is used with either the dead bolt or spring bolt locks.

---

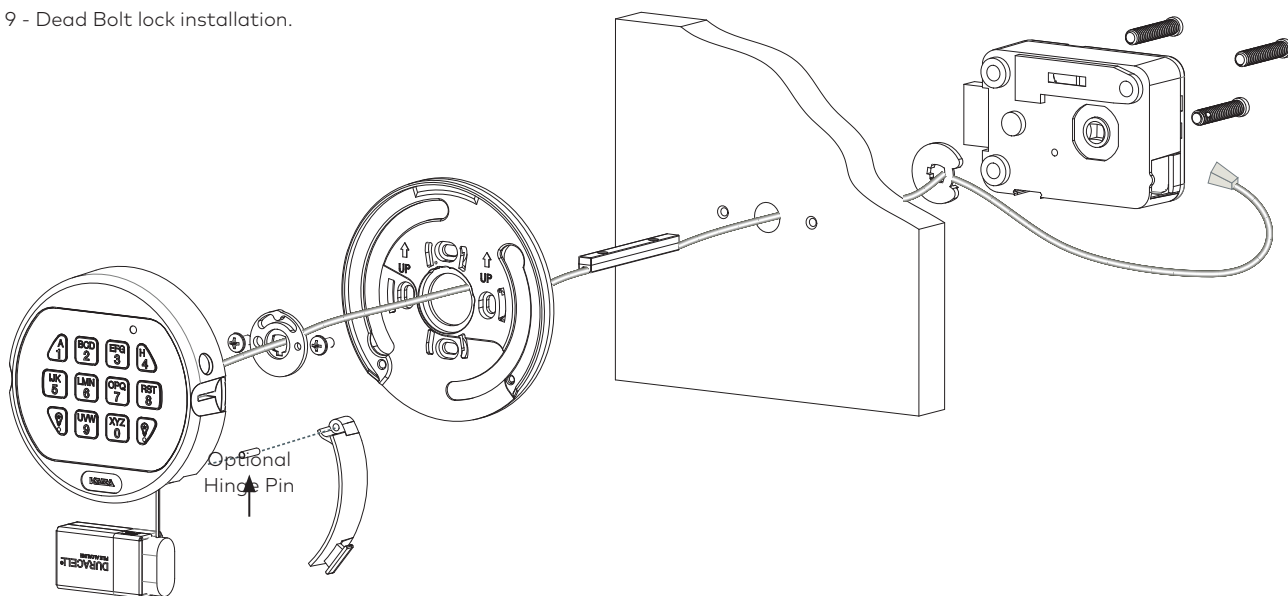
5. DO NOT USE BLOCKING PINS or SPRINGS. Rotate the keypad approximately 30° counter-clockwise and guide the keypad bushings into the large openings on the dial plate.
  6. Then, turn the keypad clockwise until it is vertical.
  7. Mark the spindle protruding through the safe door and mounting plate to be cut so that .354" (9mm) will be protruding after cutting to length.
  8. Rotate the keypad approximately 30° and remove from dial plate.
  9. Remove spindle and cut as marked in Step 7.
  10. Reassemble keypad, spindle, and bearing plate.
  11. Skip this step if the battery door is to be removable. Otherwise, attach the battery door to the keypad, by first inserting the hinge pin into the hole on the battery door and then insert the battery door with hinge pin into the hinge pin hole on the keypad housing (adjacent to the locking pin hole - Figure 7). DO NOT USE BLOCKING PINS or SPRINGS.
- 

**CAUTION:** If the battery door is to stay permanently attached, the hinge pin must be inserted before the keypad is secured to the dial plate (step 12). With a Dead bolt or Spring bolt lock, once the keypad is fully installed, the hinge pin cannot be added or removed from the safe door without removing the lock first.

---

12. Rotate the keypad approximately 30° counter-clockwise and guide the keypad bushings into the large openings on the dial plate. Then, turn the keypad clockwise until it is vertical.
13. The spindle should protrude .354" (9mm) through the safe door. Slide the cable protector over the cable and spindle until the flat side rests against the inside surface of the safe door.
14. Gently pull on the cable to ensure there is no excess cable in the spindle/cable hole.
15. Route the cable through the indentation of the cable protector and install the lock with bolt extended onto the spindle. Refer to lock installation instructions which are available at [www.dormakaba.us](http://www.dormakaba.us).

Figure 9 - Dead Bolt lock installation.



## BATTERY INSTALLATION

1. Open the door to the black plastic battery compartment (located at the bottom of the keypad) by gently pulling downward on its handle.

---

**NOTE:** If the battery door was permanently installed using the hinge pin, the battery door will swing open but stay attached to the Entry Device. If the battery door was installed without the hinge pin, it will detach from the Entry Device when it is opened.

---

2. Allow the battery connector and its attached leads to drop down and out of the battery compartment. If it does not drop, gently pull on the battery connector until it does.

---

**CAUTION!** Hold on to battery terminal connector to avoid pulling the wires out of housing.

---

3. Connect a new 9-Volt alkaline battery to the battery connector.
4. Push the battery and the leads completely into the battery compartment.
5. If the battery door is permanently attached, simply swing the battery door closed ensuring the handle is secured inside the left edge of the battery opening of the keypad housing. If the battery door was removed during opening, reinstall the battery door by orienting the hinge hook to the right, place the hinge hook onto the battery door post of the keypad, and rotate clockwise to the left until the handle is secured inside the left edge of the battery opening of the keypad housing. See Figure 10.

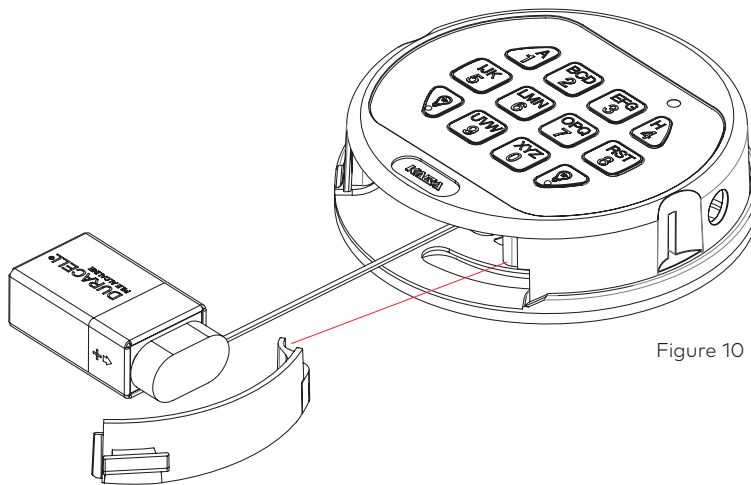


Figure 10

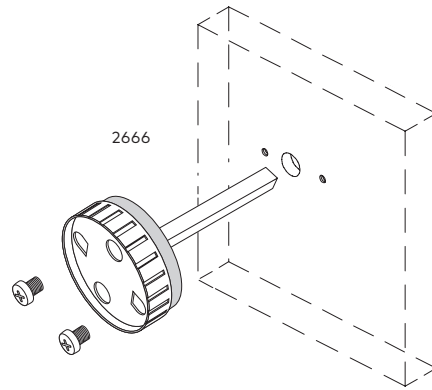
---

**NOTE:** The audit features, the software features, features associated with peripheral devices and systems, optional interconnect devices and their associated features, features involving the use of user keys, the duress feature, monitoring features, remote features, and other additional features have not been evaluated by UL. Models 8130 and 3190 keypads are not certified by UL, are not UL listed, and not approved for UL applications.

---



## 2666 KNOB ASSEMBLY



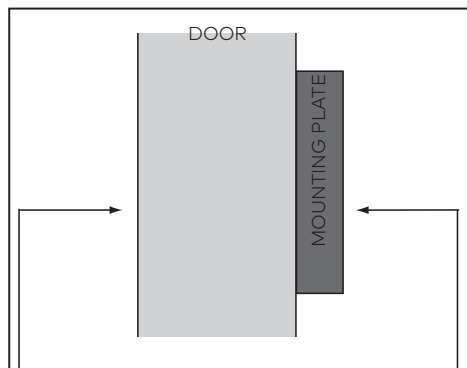
The holes required to mount the knob need to be drilled 1.25" apart and must be centered over the spindle hole.

1. To install the Knob Assembly, remove the insert from the front of the knob.
2. Cut the spindle to a length of .820" (20.8mm) plus the door thickness (Figure )

**NOTE:** the spindle must be deburred.

3. Install the knob assembly using the two 8-32 x 5/16 phillips pan screws.
4. Install the lock (with the bolt extended) onto the spindle, placing it flush to the mounting surface. Refer to lock installation instructions which are available at [www.kaba-mas.com](http://www.kaba-mas.com).

Figure 14



Total Mounting Thickness = door thickness  
+ mounting plate