

INSTALLATION

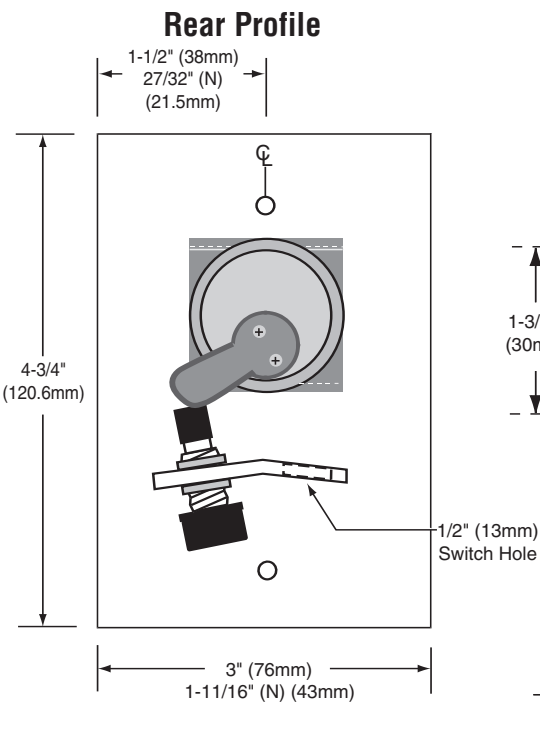


KS500, KS800 SERIES

Key Switches

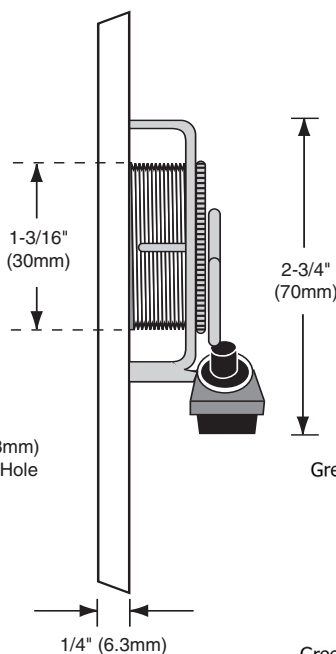
Instructions

1. Remove the components from the box and read these instructions carefully in order to assemble correctly.
2. Place the mortise cylinder (optional) 1-1/8" cylinder length complete with straight or clover cam through the 1-3/16" hole in the center of the aluminum faceplate.
3. Mount the cylinder/switch bracket on the reverse side of the faceplate (see below) making sure that the teeth are positioned inside the grooves along the cylinder, then attach the cylinder nut to fasten.
4. Insert the switch(es) into the 1/2" holes located on the bracket below the cylinder. For ideal installation thread the top nut an 1/8" down and tighten bottom nut using a 9/16" wrench.
5. Make wire connections as required (see wire connection figure below).
6. Fasten faceplate assembly to electrical box with the tamperproof 6-32 machine screws supplied with the spanner hand tool (also supplied).

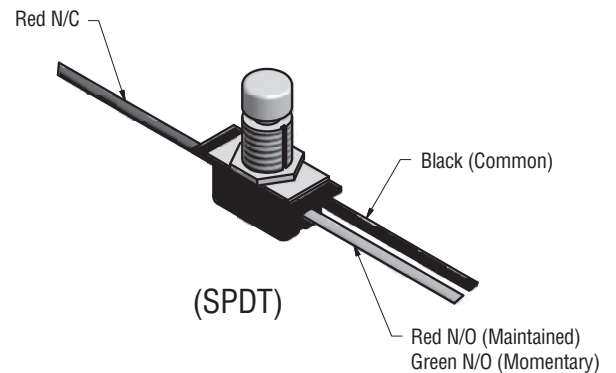


(N) = Narrow Style KS500 Series

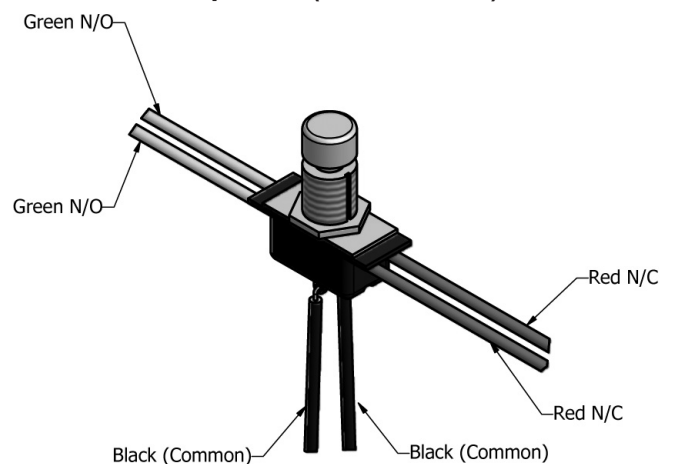
Side Profile



Wire Connection



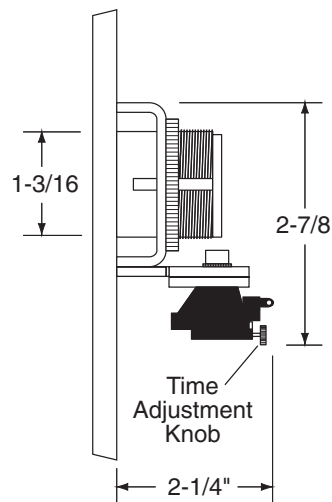
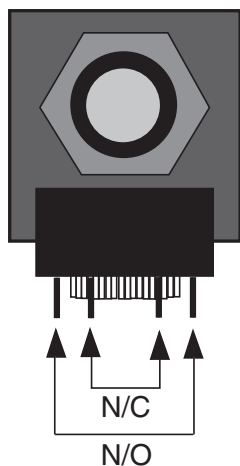
Optional (DPDT Switch)



KS Series Keyswitch Wiring Instructions

KS502PA, KS802PA Pneumatic Time Delay Installation

1-4. Same as momentary and maintained switches steps 1 to 4 (see page 1).



5. Make wire connections as shown below.
6. Fasten faceplate assembly to electrical box with the tamperproof 6-32 machine screws (supplied) with the spanner hand tool (supplied).

Specifications

Time Range: 125 to 250 seconds
Switch Rating: 10AMP @ 125/250VAC
Terminals: Solder type
Temperature Range: +15° to 120°F (-9° to +49°C)

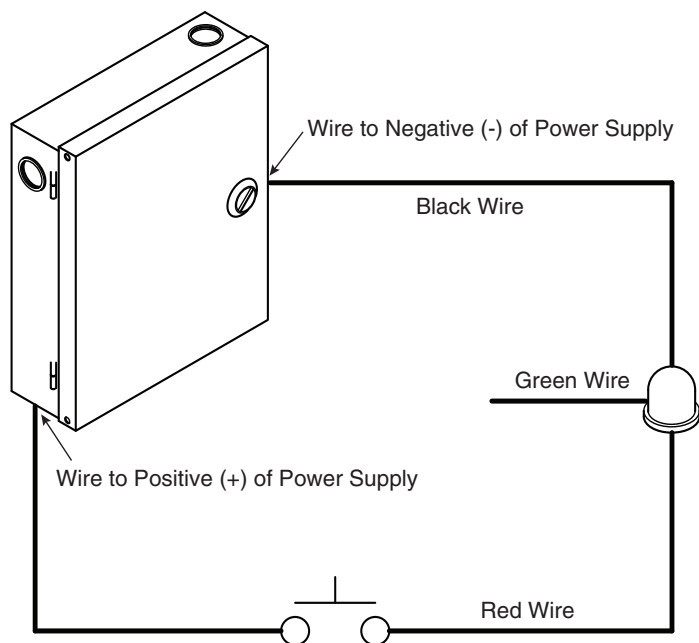
To Decrease Time Delay:

Use slot screwdriver and turn time adjustment knob counter clockwise.

To Increase Time Delay:

Use slot screwdriver and turn time adjustment knob clockwise.

KS Series Bi-Color LED Installation



NOTE: To wire LED for green light instead of red light — disconnect red wire from switch point and connect green wire.

Description	Switch Mode	Switch Configuration	Switch Rating	Standard Finish
KS802 / KS502 Key Switch	Momentary Action	SPDT N/O & N/C	3A @ 125 VAC – UL 1A @ 250VAC - UL	628 or 710 628 or 710
KS802PA / KS502PA Key Switch	Adj. Delay 2-60 sec	SPDT N/O & N/C	10A @ 125-250 VAC – UL	628 or 710
KS801 / KS501 Key Switch	Maintained Action	SPDT N/O & N/C	3A @ 125 VAC – UL 1A @ 250VAC - UL	628 or 710 628 or 710

NOTE: Specifications are subject to change without notice.

KS Series Installation Instructions (Continued)

WIRE GAUGE SELECTIONS

Total One Way Length of Wire Run (ft.)	Load Current @24V							
	1/4A	1/2A	3/4A	1A	1-1/4A	1-1/2A	2A	3A
100	20	18	16	16	14	14	12	10
150	20	16	14	14	12	12	10	--
200	18	16	14	12	12	10	10	--
250	18	14	12	12	10	10	--	--
300	16	14	12	10	10	--	--	--
400	16	12	10	10	--	--	--	--
500	14	12	10	--	--	--	--	--
750	12	--	--	--	--	--	--	--
1000	12	--	--	--	--	--	--	--

Total One Way Length of Wire Run (ft.)	Load Current @12V					
	1/4A	1/2A	3/4A	1A	1-1/4A	1-1/2A
100	18	16	14	12	12	10
150	16	14	12	10	10	--
200	16	12	10	10	--	--
250	14	12	10	--	--	--
300	14	10	--	--	--	--
400	12	10	--	--	--	--
500	12	--	--	--	--	--
750	10	--	--	--	--	--

These recommended wire gauge selection tables are based on the 2008 National Electrical Code (2008 NEC), assume 60°C (140°F) rated wire, include a 25% safety factor, and define the amperage ratings at the listed distances that result in 5% voltage drop due to wire resistance. Five percent is normally acceptable in low voltage systems.