

# INSTALLATIONS

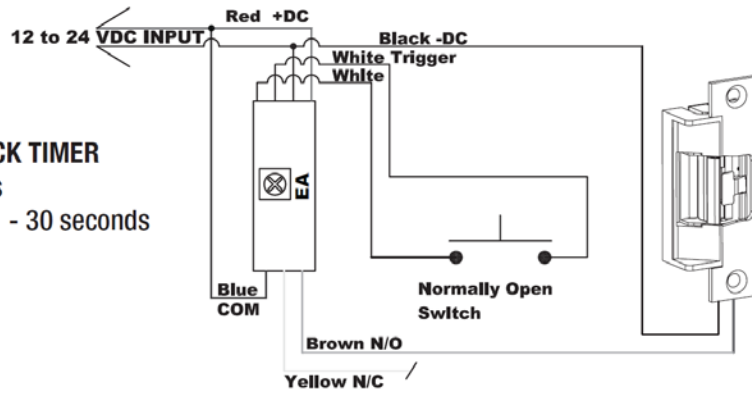


## EF/EA

**EF - 30 SECOND FIXED TIMER**

**EA - 30 SECOND ADJUSTABLE TIMER**

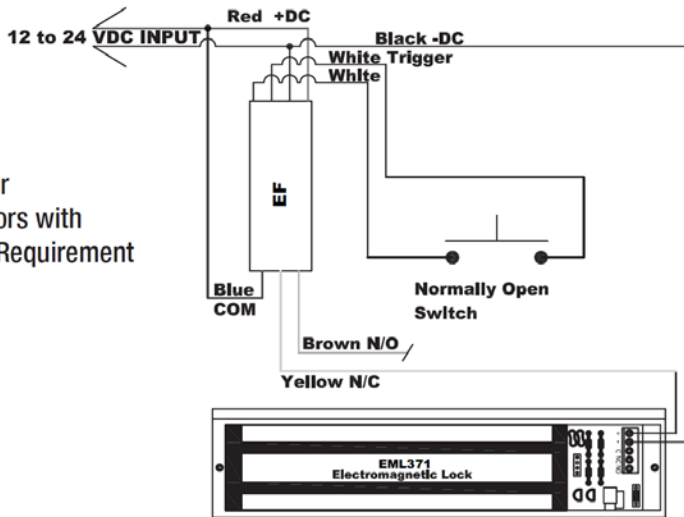
Typical Installation for  
**EA ADJUSTABLE RELOCK TIMER**  
with Fail Secure Strikes  
EA is adjustable from .1 - 30 seconds



**TYPICAL INSTALLATION FOR ADJUSTABLE RELOCK TIMER WITH FAIL SECURE STRIKES**

- Both timers are powered continuously
- Voltage for both timers is 12 to 24 VDC
- Each push on exit button will restart the delay period.
- The trigger is connected to a N/O push button
- Double sided tape is provided to position the timer inside the switch junction box.

Typical Installation for  
**E30F FIXED RELOCK TIMER**  
with Electromagnetic Lock for  
Access Controlled Egress Doors with  
30 Second Minimum Unlock Requirement



**TYPICAL INSTALLATION TO MEET ACCESS CONTROLLED EGRESS DOORS 30 SECOND MIN. UNLOCK REQUIREMENTS**