



**Stops and Holders**

# **DORMA 700/900**

## DORMA Architectural Hardware offers a line of versatile stops and holders. This line complements our existing full range of door closers, providing a total door control system.

Separate stops and holders are the preferred method of limiting door swing. They are ideal where the use of wall or floor stops is precluded. These high quality units are both durable and visually pleasing.

A standard two-coat paint finish is the best choice to match sprayed DORMA door closers. Optional plated finishes are also available.

**Stop** only units are designed to limit the degree of door swing while providing a cushioned stop. These units are a good choice for use on labeled fire doors where hold open is prohibited.

**Stop/Hold** units function like stop only units with an added selective on/off hold open feature. An inconspicuous slot screw on the face of the track channel allows field engagement/disengagement of hold open. Stop/hold is recommended where non-labeled doors must be held in the open position.

**Friction/Stop** units provide a cushioned limiting stop and adjustable friction stay. The accessible screw on top of the slide shoe allows field adjustment of the friction. This option provides a method of holding non-labeled doors at multiple positions without readjustment. Available in 700/710 Series only.

### Materials:

The strength, performance, and corrosion-resistance of aluminum make it a natural choice for the extruded track channel.

Nylon composites have proven friction resistance and durability, and are ideal for the Standard Duty 700 Series slide shoe. The Heavy-Duty 900 Series incorporates a slide block machined from solid brass, offering greater strength and durability.

Zinc plated steel arms and parallel arm brackets function as connecting links to transfer the power of a door closer between the door and frame. These same materials are used for the arm and soffit plate of the stop/holder line.

The symmetrical hole pattern of the soffit plate simplifies frame preparation and installation. The two-coat paint finish adds further corrosion-resistance in addition to zinc plating.

This progressive combination of materials and design eliminates the need for complicated variations. The simplified DORMA line suits virtually all applications.

### Degree of Stop/Hold:

DORMA stops and holders provide limiting stop or hold open at 85°, 90°, 95°, 100°, 105°, and 110° of the door opening. Stop only and friction stop units limit door swing at the degree determined by the template dimensions selected at installation. Stop/hold units provide hold open at the degree selected at installation. The maximum door swing is several degrees greater than the hold open due to compression of the cushioned stop.

### Certification:

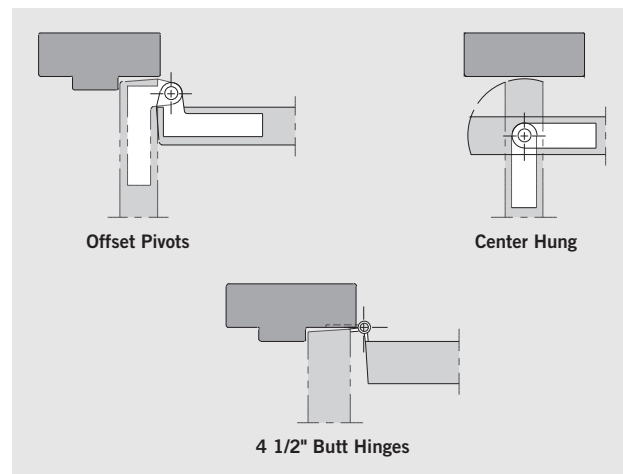
The DORMA 700/900 Series is listed by UL and CUL under their continuing reinspection programs. The 700/900 Series is certified to the requirements of ANSI/BHMA A156.8 Grade 1 (900/910) and Grade 3 (700/710).

### Reinforcement:

DORMA stops and holders are designed and manufactured from the highest quality materials to provide optimum service under heavy-duty use. Doors and frames must be properly reinforced to provide fastening of the track channel/soffit plate and to withstand the operational forces involved. Refer to the individual product templates for additional reinforcement details.

### Door Swing/Thickness:

The information in this brochure is relative to 1-3/4" thick doors hung on 4-1/2" x 4-1/2" butt hinges, 3/4" offset pivots, and center hung pivots. Other methods of door hanging such as continuous hinges, invisible hinges, wide throw hinges, swing clear hinges, and 1-1/2" offset pivots can change the throw of the door. Likewise, altering the door thickness from 1-3/4" may require different templating. Contact DORMA Technical Service for assistance with applications other than those listed.



The quality management system at the Reamstown, PA facility is certified to ISO-9001:2008.\*



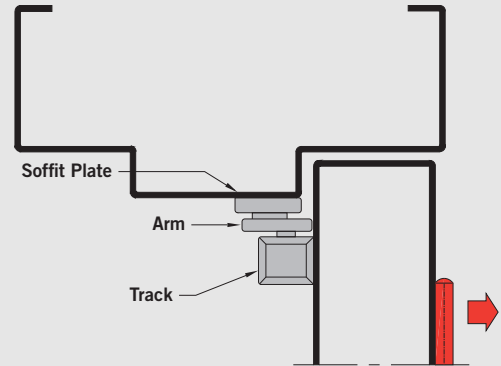
\*DORMA Door Controls Inc., dba: DORMA Architectural Hardware

### How to Order 700/900 Series

Application	Size	Finish
9 - Heavy duty 7 - Standard duty	(1, 2, or 3)	See pages 4-7
<b>9 0</b>	<b>3 H</b>	<b>AL x 7090</b>
Application 0 - Surface applied 1 - Concealed	Function S - Stop only H - Stop/Hold F - Friction stop (700/710 Series only)	Optional pull side mounting bracket (700/900 Series only)

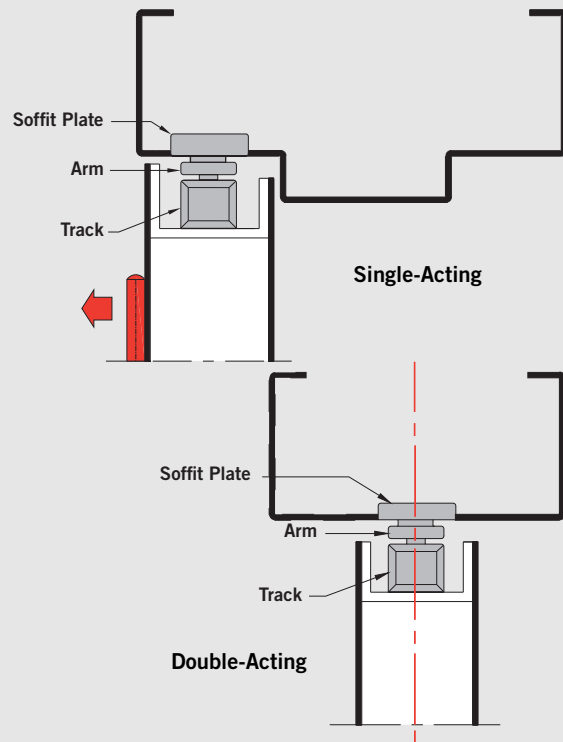
### Surface Mounted

Surface mounted stop/holder installations require preparation of the push side door face and stop. The track is surface applied to the door face and the soffit bracket is secured to the stop. It does not require mortising the door or the frame. Surface mounted stops/holders can only be used on single-acting doors.

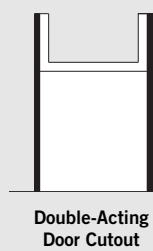
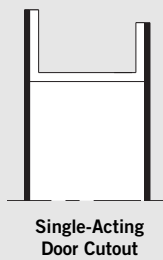


### Concealed Mounted

Concealed mounted stop/holder installation requires mortising the door and frame. The track is installed in the mortise on the top edge of the door. The soffit plate is installed in a mortise in the frame. Concealed mounted stops/holders can be used on single- and double-acting doors. Single-acting doors require a cutout in the push face. Double-acting doors require cutouts in both faces of the door.

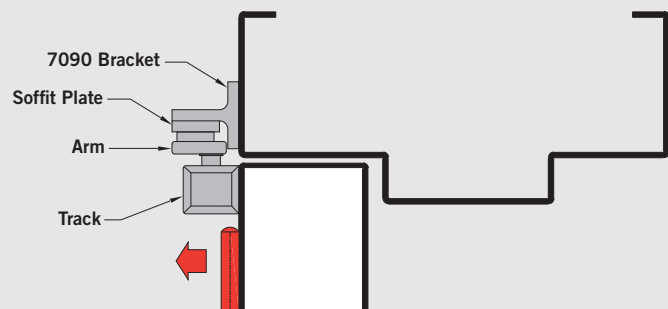


#### Door Cutout

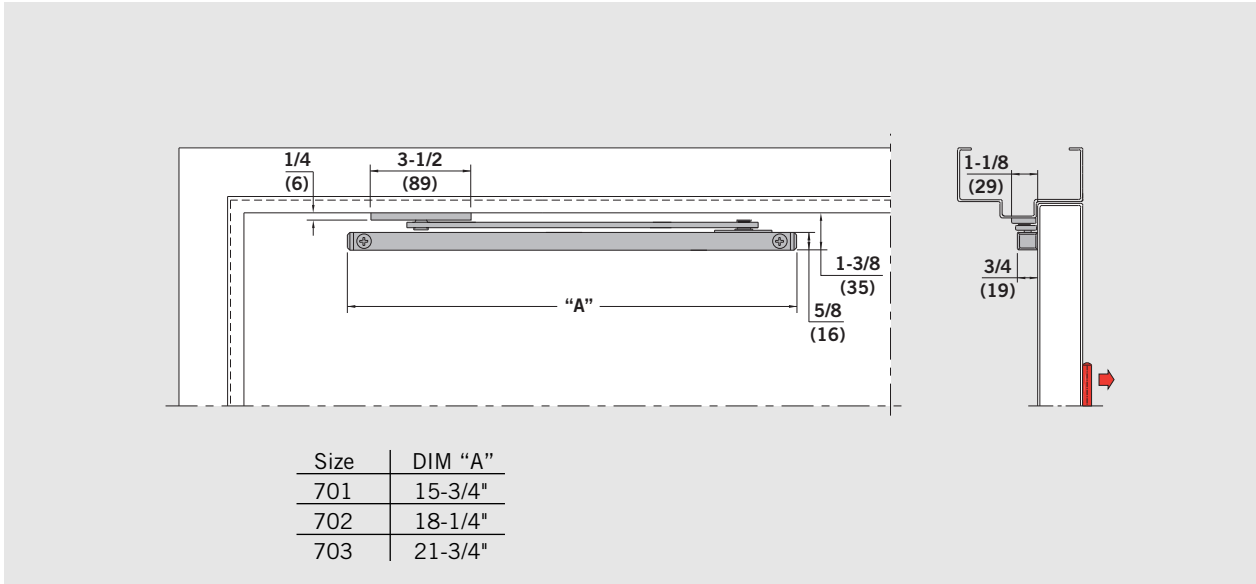


### 7090 Mounting Bracket

The 7090 mounting bracket is required when surface mounted stops/holders are installed on the pull side. It is also used with flush rabbeted transom panels.



## 700 Standard Duty Surface Applied



- 700S - Surface applied stop only
  - 700H - Surface applied stop selective on/off hold open
  - 700F - Surface applied stop only adjustable friction.
- Holds door at any angle**

- Limits door swing
- Built-in cushioned stop
- Non-handed
- Available stop only, stop/hold, or friction stop
- Selective on/off feature with hold open unit
- Adjustable friction tension with friction stop unit
- Certified to ANSI/BHMA A156.8 Grade 3
- Available in painted finishes
- Plated finishes also available

**Finishes:**

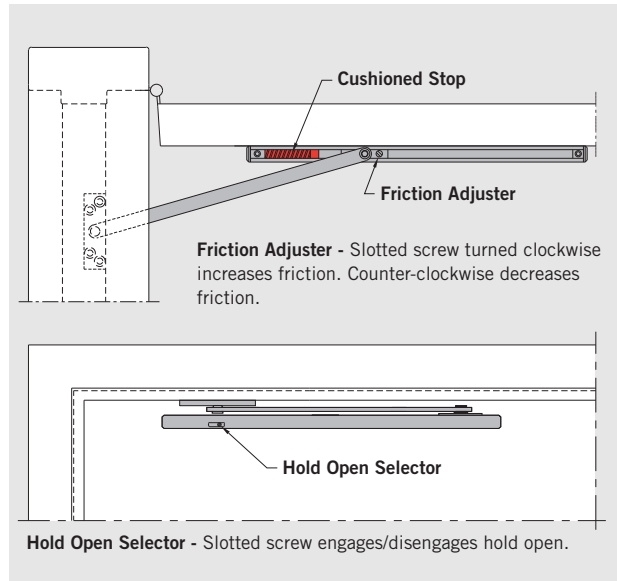
**Standard Sprayed Finishes:**

- Aluminum: 689.
- Bronze: 691 (Dull), 690 (Statuary), or 695 (Dark Duranodic).
- Gold: 696.
- Black: 693.

**Optional Plated Finishes:**

- Brass: 605 (Bright) or 606 (Satin).
- Bronze: 611 (Bright), 612 (Satin), or 613 (Oxidized Satin Bronze Oil Rubbed).
- Chrome: 625 (Bright) or 626 (Satin).

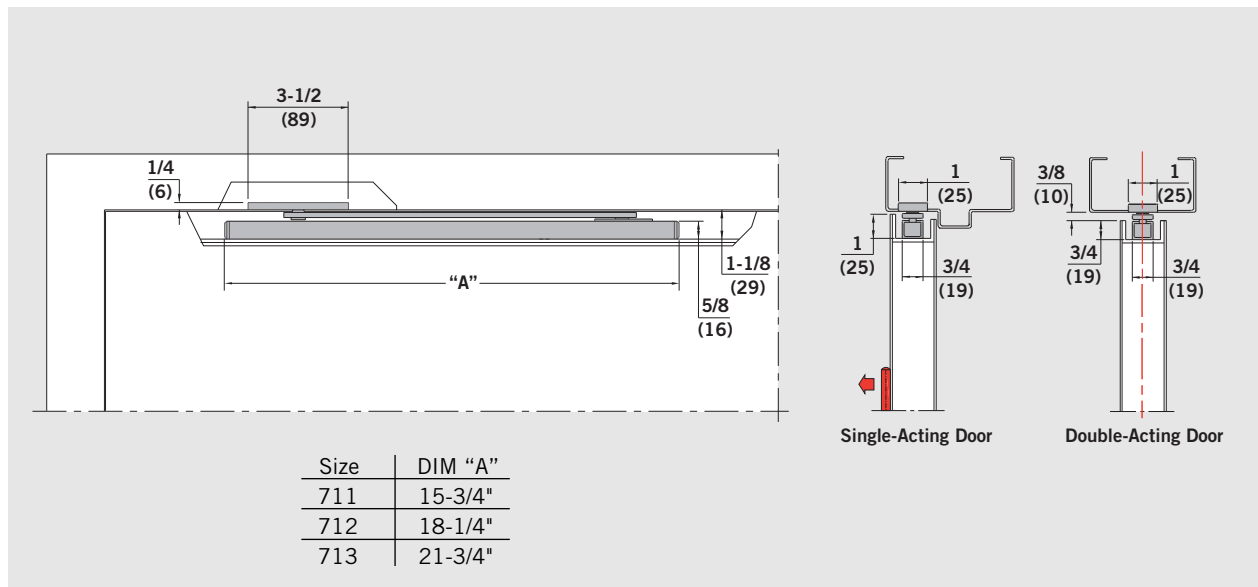
Endcaps are furnished in matte black.



**700 Series Size Selection Chart**

Size	Butts/Offset Pivots				Center Hung			
	Door Opening	Stop Only	Hold Open	Friction	Door Opening	Stop Only	Hold Open	Friction
1	21" to 27"	701S	701H	701F	24" to 28"	701S	701H	701F
2	27-1/8" to 36"	702S	702H	702F	28-1/8" to 36"	702S	702H	702F
3	36-1/8" to 54"	703S	703H	703F	36-1/8" to 54"	703S	703H	703F

## 710 Standard Duty Concealed



**710S - Concealed stop only**

**710H - Concealed selective on/off hold open**

**710F - Concealed stop only adjustable friction.**

**Holds door at any angle**

- Limits door swing
- Built-in cushioned stop
- Non-handed
- Available stop only, stop/hold, or friction stop
- Selective on/off feature with hold open unit
- Adjustable friction tension with friction stop unit
- Certified to ANSI/BHMA A156.8 Grade 3
- Available in painted finishes
- Plated finishes also available

### Finishes:

#### Standard Sprayed Finishes:

Aluminum: 689.

Bronze: 691 (Dull), 690 (Statuary), or 695 (Dark Duranodic).

Gold: 696.

Black: 693.

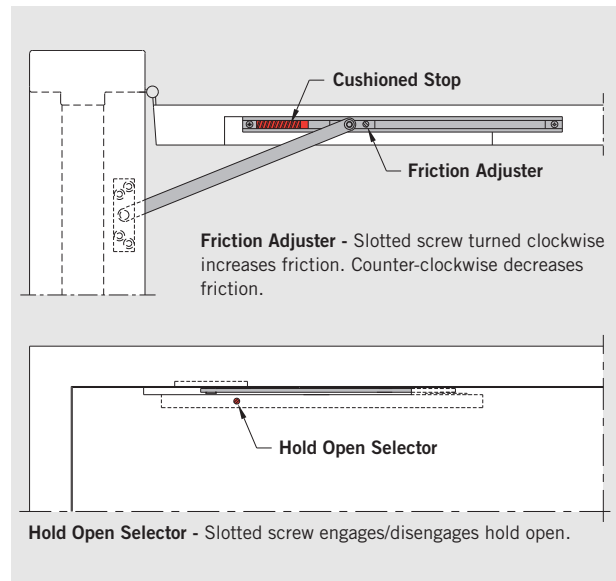
#### Optional Plated Finishes:

Brass: 605 (Bright) or 606 (Satin).

Bronze: 611 (Bright), 612 (Satin), or 613 (Oxidized Satin Bronze Oil Rubbed).

Chrome: 625 (Bright) or 626 (Satin).

Endcaps are furnished in matte black.

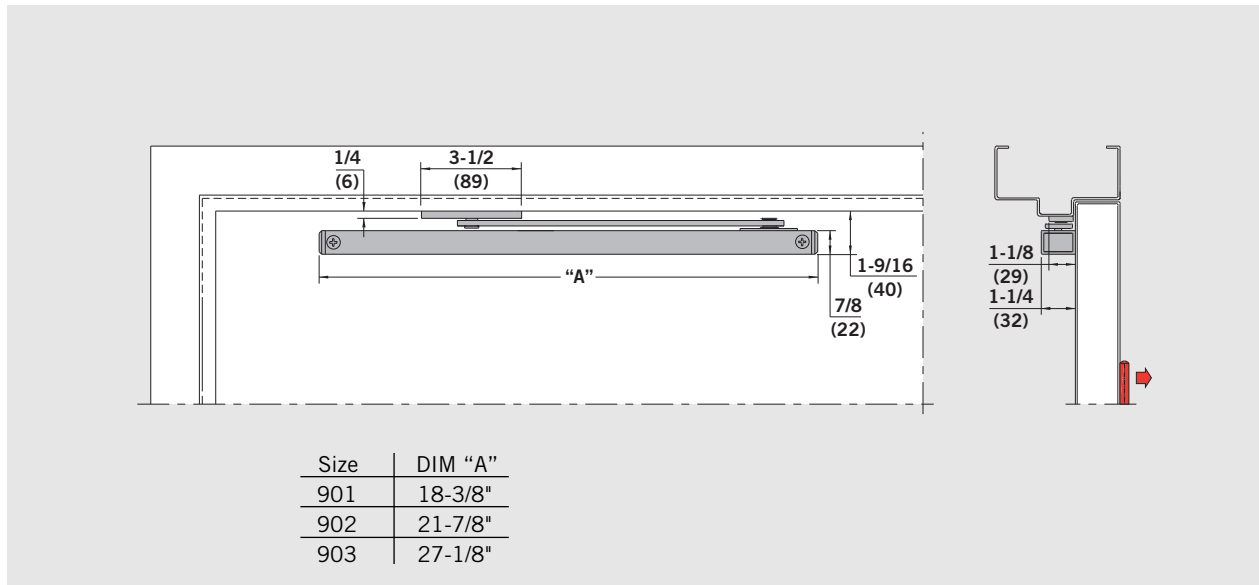


### 710 Series Size Selection Chart

Size	Butts/Offset Pivots				Center Hung			
	Door Opening	Stop Only	Hold Open	Friction	Door Opening	Stop Only	Hold Open	Friction
1	21" to 27"	711S	711H	711F	23" to 29"	-	-	*711F
2	27-1/8" to 36"	712S	712H	712F	29-1/8" to 37"	712S	712H	712F
3	36-1/8" to 54"	713S	713H	713F	37-1/8" to 54"	713S	713H	713F

\*711F offers 85° and 90° stop only.

## 900 Heavy-Duty Surface



900S - Surface stop only

900H - Surface selective on/off hold open

- Limits door swing
- Built-in cushioned stop
- Non-handed
- Available stop only or stop/hold
- Selective on/off feature with hold open unit
- Certified to ANSI/BHMA A156.8 Grade 1
- Available in painted finishes
- Plated finishes also available

**Finishes:**

**Standard Sprayed Finishes:**

Aluminum: 689.

Bronze: 691 (Dull), 690 (Statuary), or 695 (Dark Duranodic).

Gold: 696.

Black: 693.

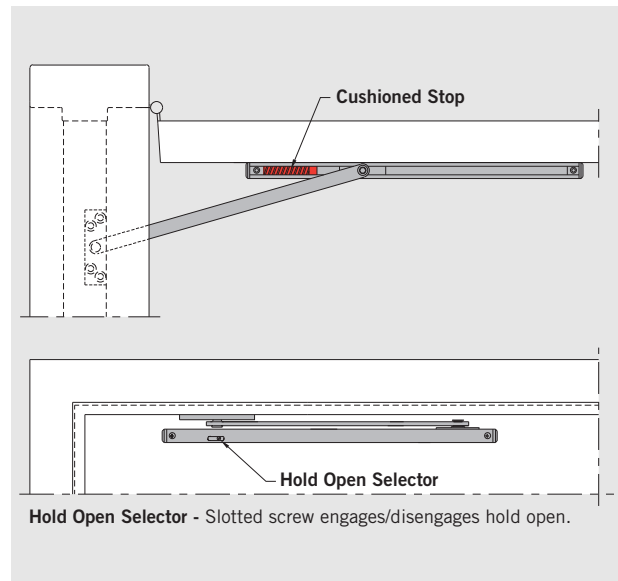
**Optional Plated Finishes:**

Brass: 605 (Bright) or 606 (Satin).

Bronze: 611 (Bright), 612 (Satin), or 613 (Oxidized Satin Bronze Oil Rubbed).

Chrome: 625 (Bright) or 626 (Satin).

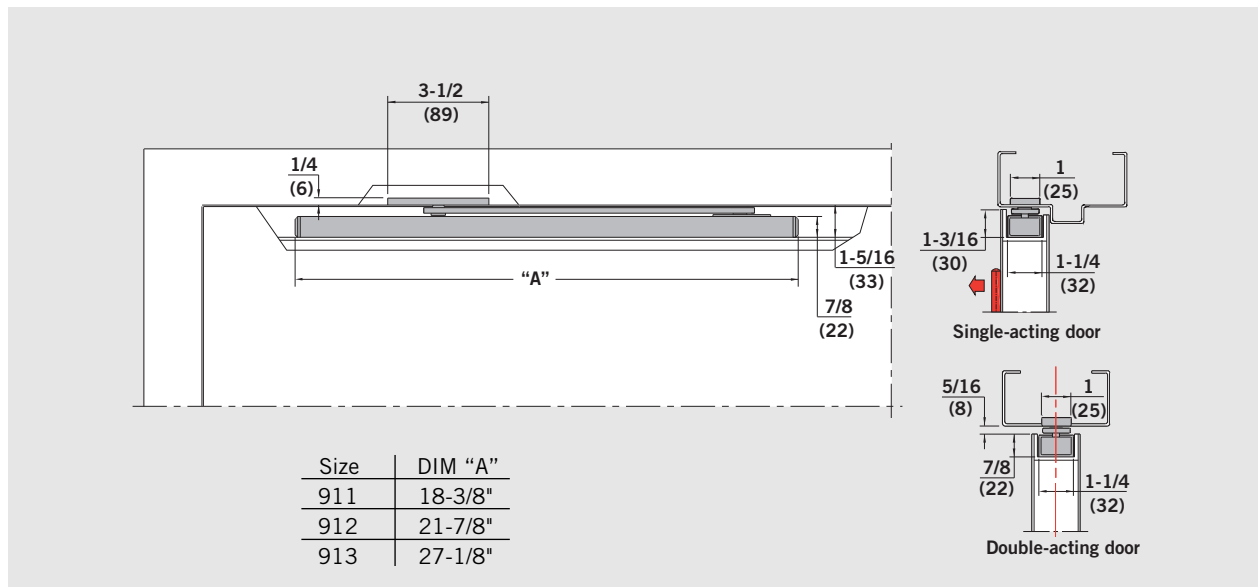
Endcaps are furnished in matte black.



### 900 Series Size Selection Chart

Size	Butts/Offset Pivots			Center Hung		
	Door Opening	Stop Only	Hold Open	Door Opening	Stop Only	Hold Open
1	24" to 34"	901S	901H	26" to 36"	901S	901H
2	34-1/8" to 44"	902S	902H	36-1/8" to 46"	902S	902H
3	44-1/8" to 54"	903S	903H	46-1/8" to 54"	903S	903H

## 910 Heavy-Duty Concealed



**910S - Concealed stop only**

**910H - Concealed selective on/off hold open**

- Limits door swing
- Built-in cushioned stop
- Non-handed
- Available stop only or stop/hold
- Selective on/off feature with hold open unit
- Certified to ANSI/BHMA A156.8 Grade 1
- Available in painted finishes
- Plated finishes also available

### Finishes:

#### Standard Sprayed Finishes:

Aluminum: 689.

Bronze: 691 (Dull), 690 (Statuary), or 695 (Dark Duranodic).

Gold: 696.

Black: 693.

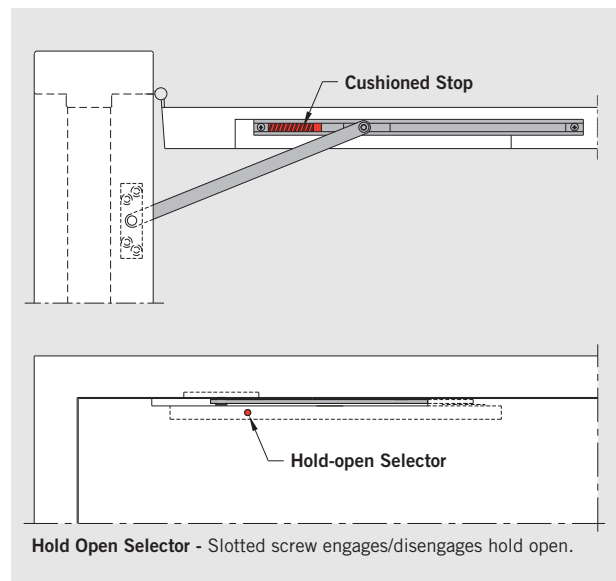
#### Optional Plated Finishes:

Brass: 605 (Bright) or 606 (Satin).

Bronze: 611 (Bright), 612 (Satin), or 613 (Oxidized Satin Bronze Oil Rubbed).

Chrome: 625 (Bright) or 626 (Satin).

Endcaps are furnished in matte black.



### 910 Series Size Selection Chart

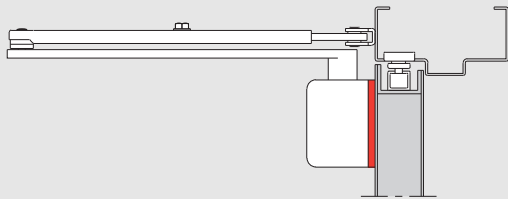
Size	Butts/Offset Pivots			Center Hung		
	Door Opening	Stop Only	Hold Open	Door Opening	Stop Only	Hold Open
1	24" to 34"	911S	911H	27" to 37"	**911S	*911H
2	34-1/8" to 44"	912S	912H	37-1/8" to 46"	912S	912H
3	44-1/8" to 54"	913S	913H	46-1/8" to 54"	913S	913H

\*911H offers 85° and 90° hold open only. \*\*911S offers 85°, 90°, and 95° stop only.

Accessories are available to resolve possible interference between closers and stops/holders. Below are example applications. Always refer to templates for specific applications or consult the factory for assistance.

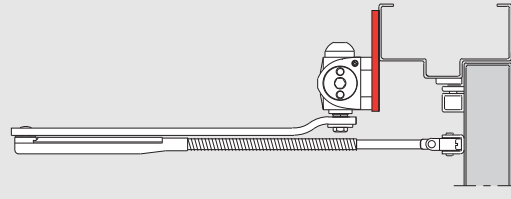
DORMA Door Closers			
Application	7414/7436	8616	8900
Backplate	BP74 BP86 BP86FC	BP86 BP86FC	BP89
Drop Plate	DP74	DP86	DP89
Drop Bracket	PD	PD	PD
Angle Bracket	AB74	AB86	AB89

**Regular Mount × Backplate**



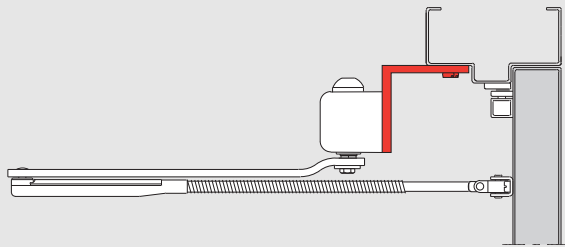
8900 Series regular mount × BP89 backplate illustrated.  
For regular mount to clear a concealed stop/holder.  
See table above for other closers.

**Top Jamb Mount × Drop Plate**



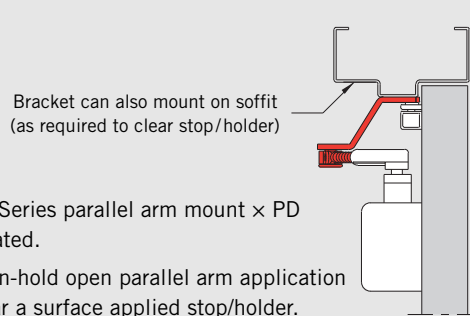
7414 Series top jamb mount × DP74 drop plate illustrated.  
For top jamb mount to provide clearance for a surface applied stop/holder.  
See table above for other closers.

**Top Jamb Mount × Angle Bracket**



8616 Series × AB86 angle bracket illustrated.  
To provide clearance for surface applied stop/holder.  
See table above for other closers.

**Parallel Arm Mount × Drop Bracket**



8900 Series parallel arm mount × PD illustrated.  
For non-hold open parallel arm application to clear a surface applied stop/holder.  
See table above for other closers.

**Cross Reference Chart**

DORMA	BHMA	ANSI Std.	DORMA	BHMA	ANSI Std.
701S – 703S	C07543	A156.8	711F – 713F	C04533	A156.8
701H – 703H	C07513	A156.8	901S – 903S	C02541	A156.8
701F – 703F	C05533	A156.8	901H – 903H	C02511	A156.8
711S – 713S	C06543	A156.8	911S – 913S	C01541	A156.8
711H – 713H	C06513	A156.8	911H – 913H	C01511	A156.8

**DORMA Americas**  
www.dorma-usa.com

**DORMA Architectural Hardware**  
DORMA Drive, Drawer AC  
Reamstown, PA 17567-0411  
Telephone: (800) 523-8483  
Facsimile: (800) 274-9724  
E-mail: archdw@dorma-usa.com

**DORMA Canada**  
1680 Courtney Park Drive, Unit 13  
Mississauga, Ontario L5T 1R4  
Telephone: (800) 387-4938  
Facsimile: (905) 670-5850  
E-mail: sales@dormacanada.com

**DORMA Mexico, S. de R.L. de C.V.**  
Astrónomos 28, Col. Escandón  
México, D.F. 11800  
Del. Miguel Hidalgo  
Telephone: (52+55) 5272-6937  
Facsimile: (52+55) 5272-6948  
E-mail: operacion@dorma.com.mx