

CE	dormakaba Deutschland GmbH	15
	Postfach 4009 58247 Ennepetal	
0432-CPR-00026-30	EN 1154:1996/A1:2002/ AC:2006-02	4 8 2-5 1 1 4
DOP_0138		

**IMPORTANT**

READ CAREFULLY BEFORE USE

KEEP THE MANUAL FOR FUTURE REFERENCE

"Original instruction manual"

**Target group**

The door closer may only be installed by technically trained specialists.

**Intended use**

The TS 93 is exclusively aimed to be used for the controlled closing of single-action doors.

**Limitation of liability**

The TS 93 may only be used in accordance with its intended use. Modifications to the product or the use of accessories not approved by the manufacturer are not permitted.

**Installation instructions**

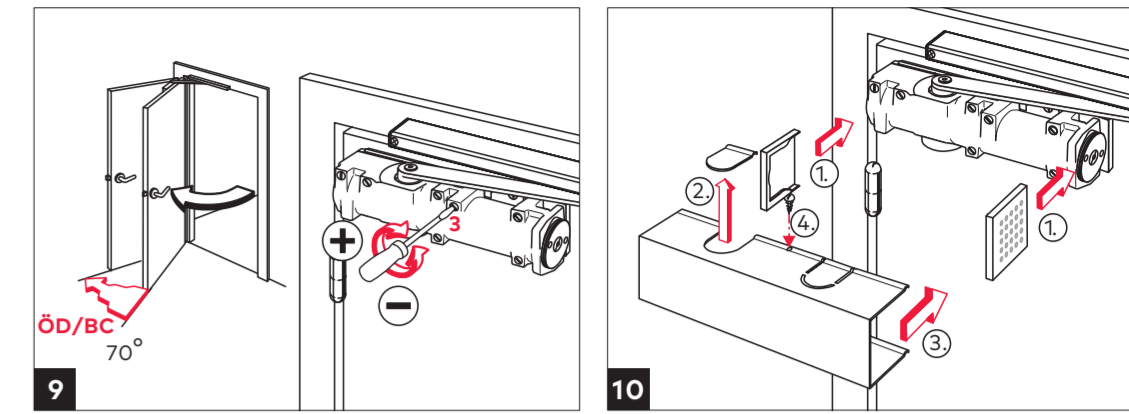
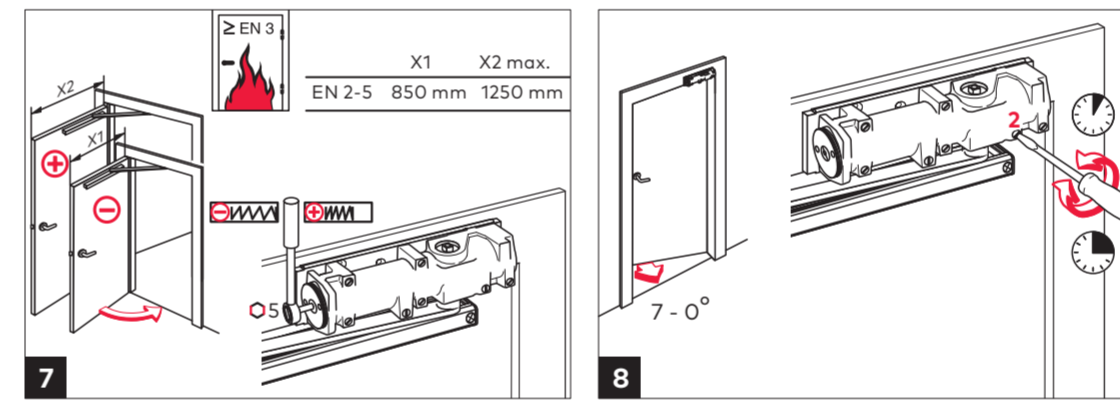
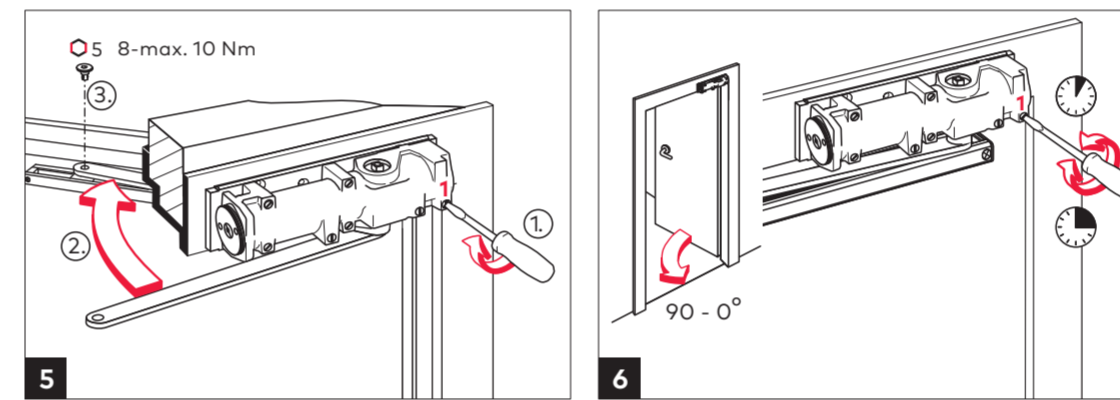
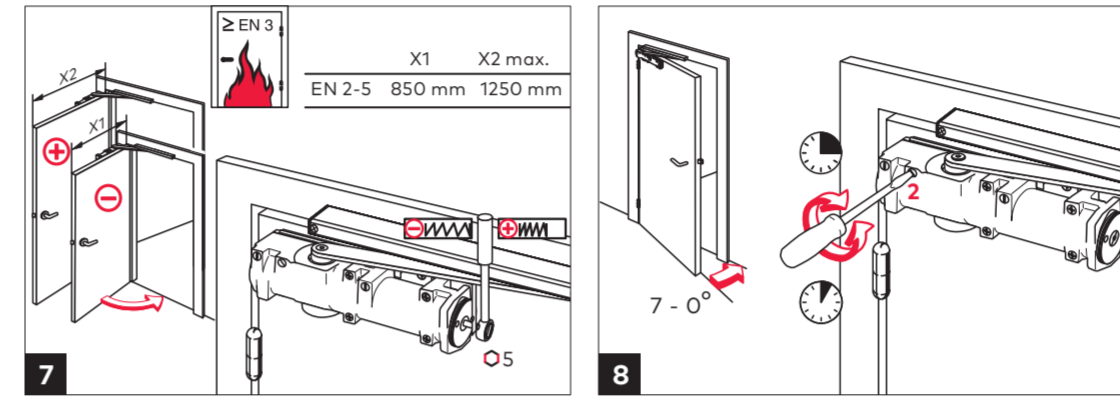
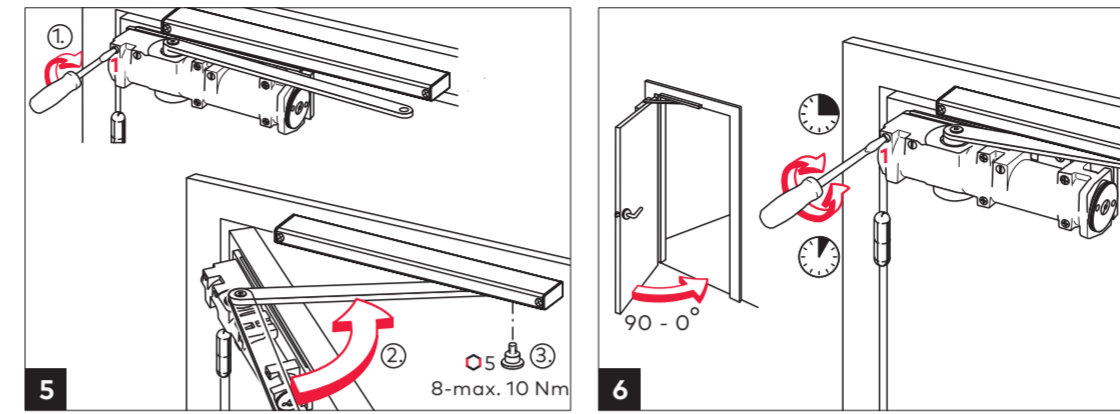
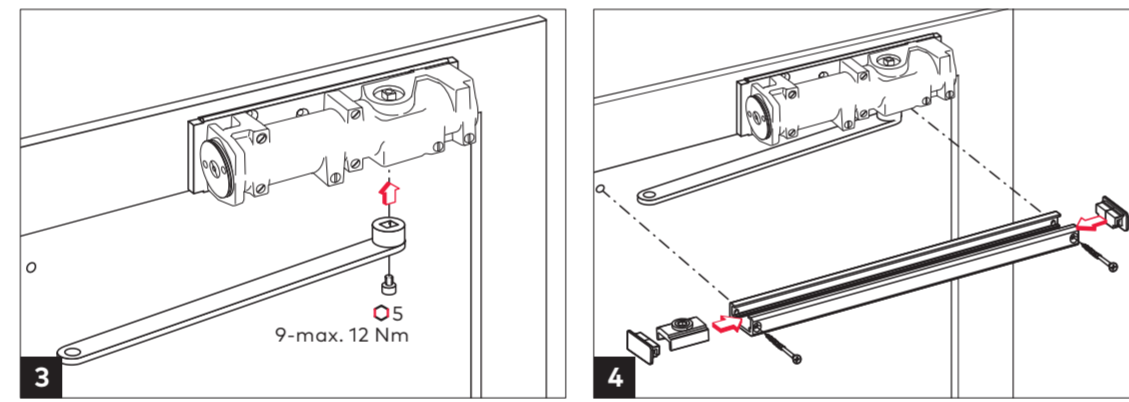
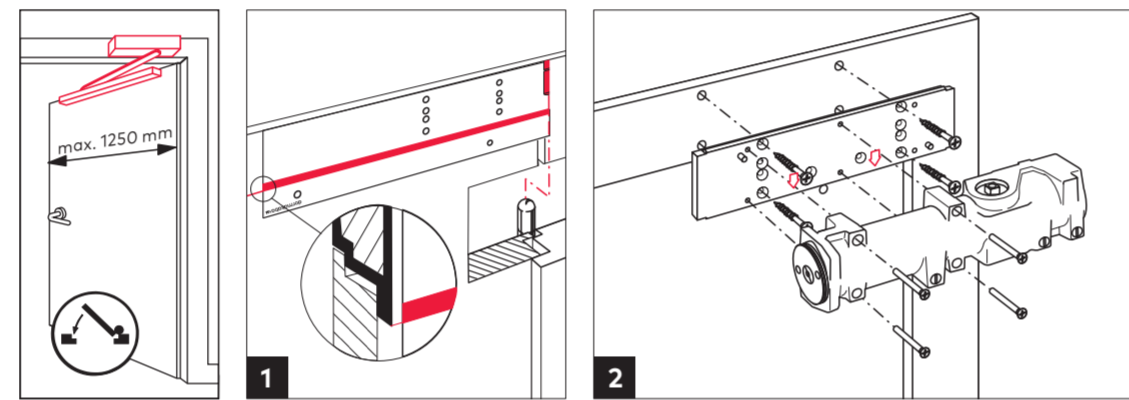
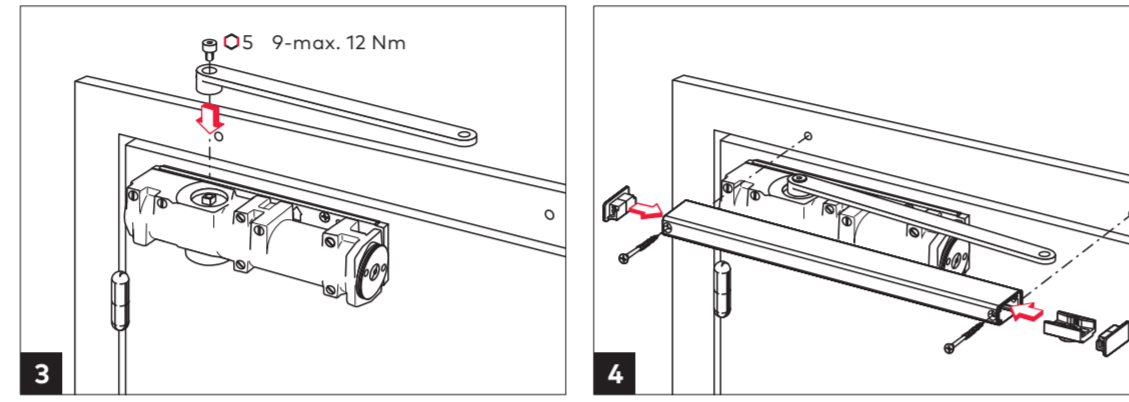
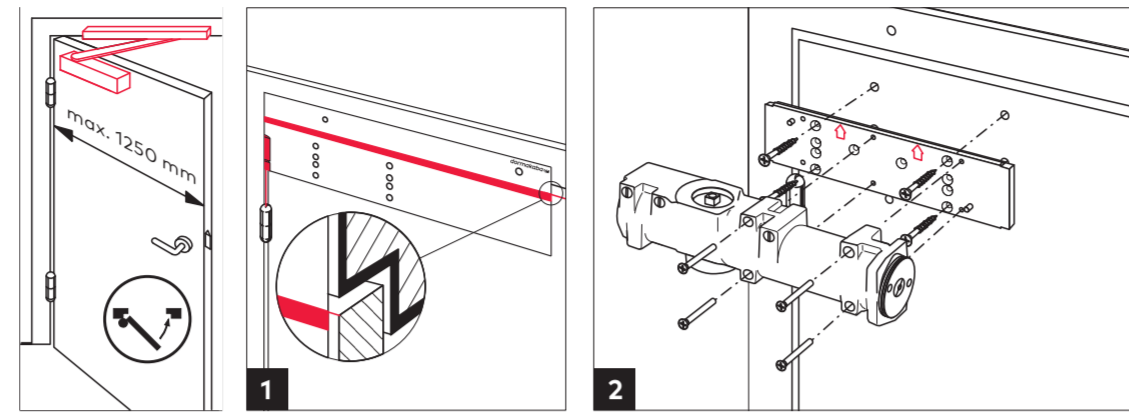
The illustrations in this manual show the installation for DIN-L and DIN-R.

# TS 93 B BASIC EN 2-5

WN 058841 45532  
2020-04

EN

Mounting instructions



TS 93 B BASIC EN 2-5

WN 058841 45532

2020-04

TS 93 B BASIC EN 2-5

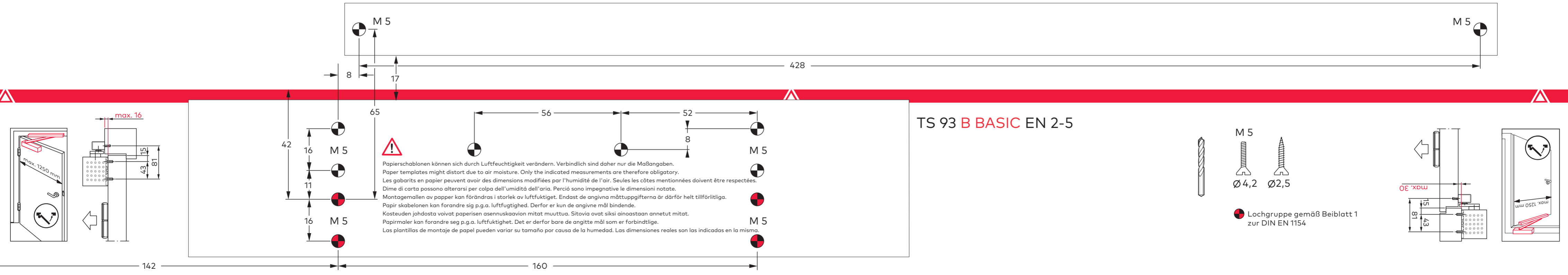
WN 058841 45532

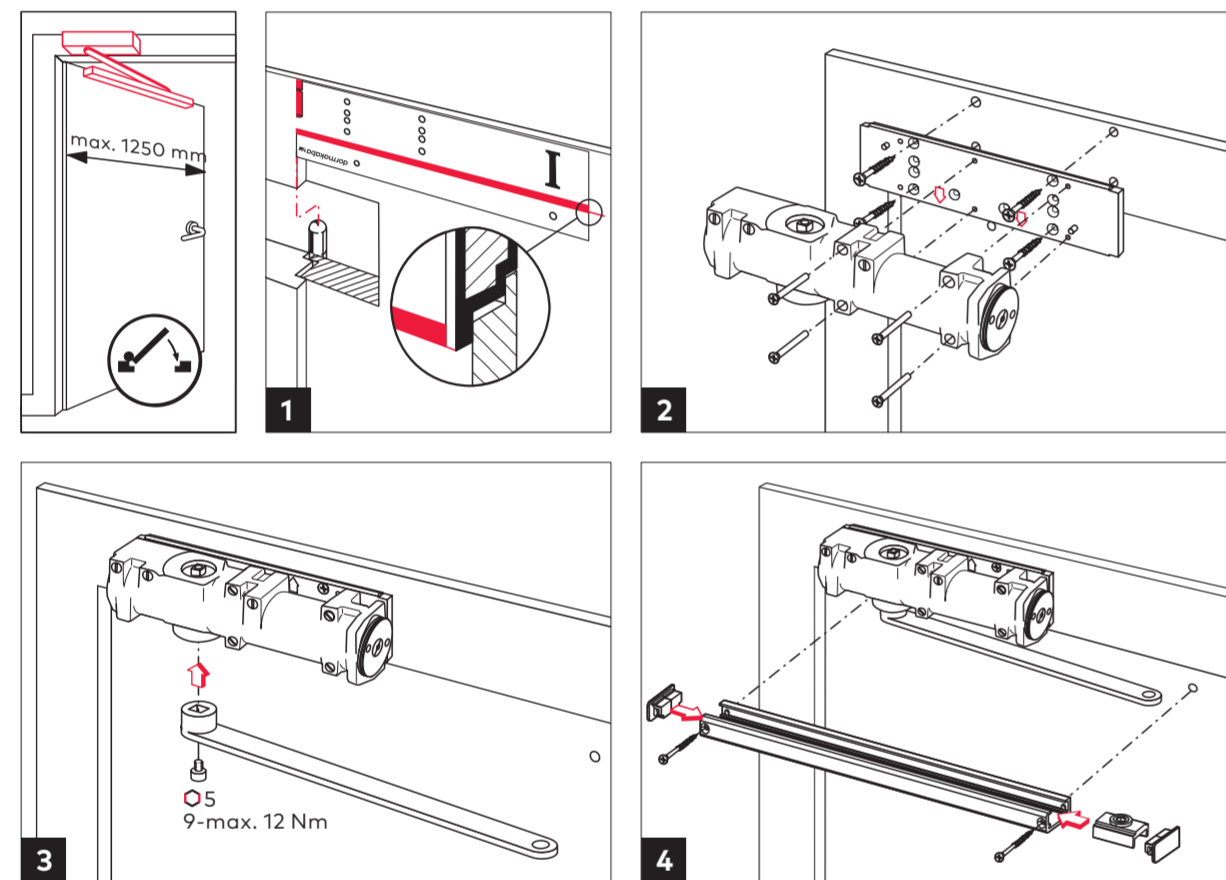
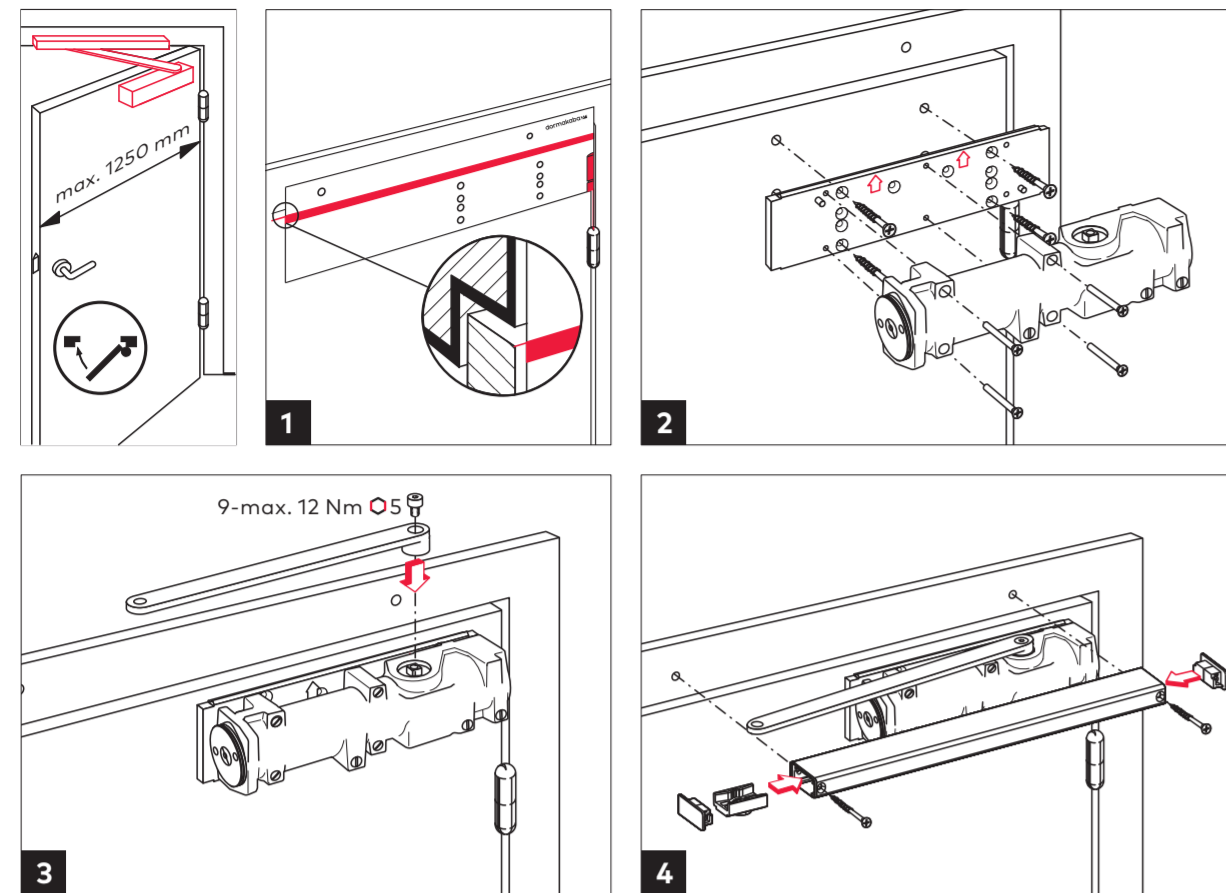
2020-04

TS 93 B BASIC EN 2-5

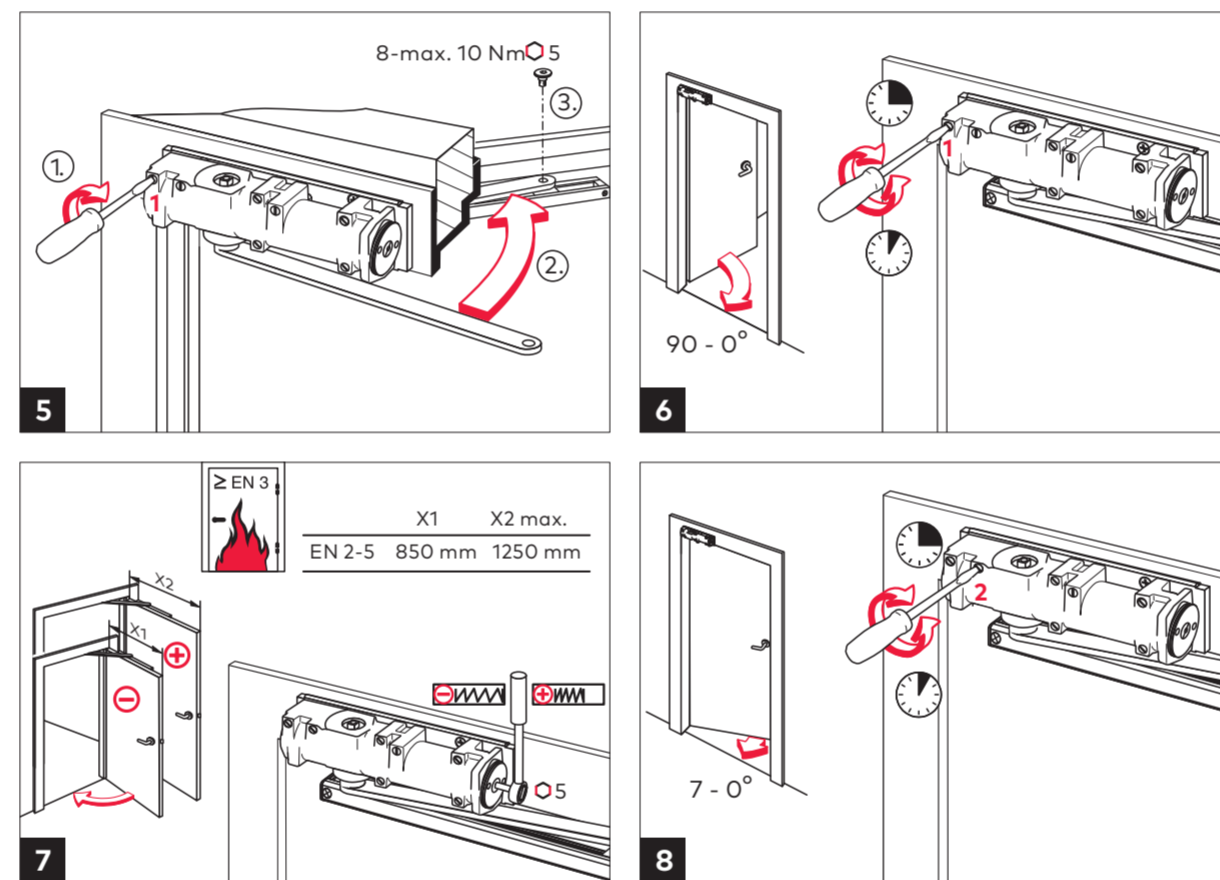
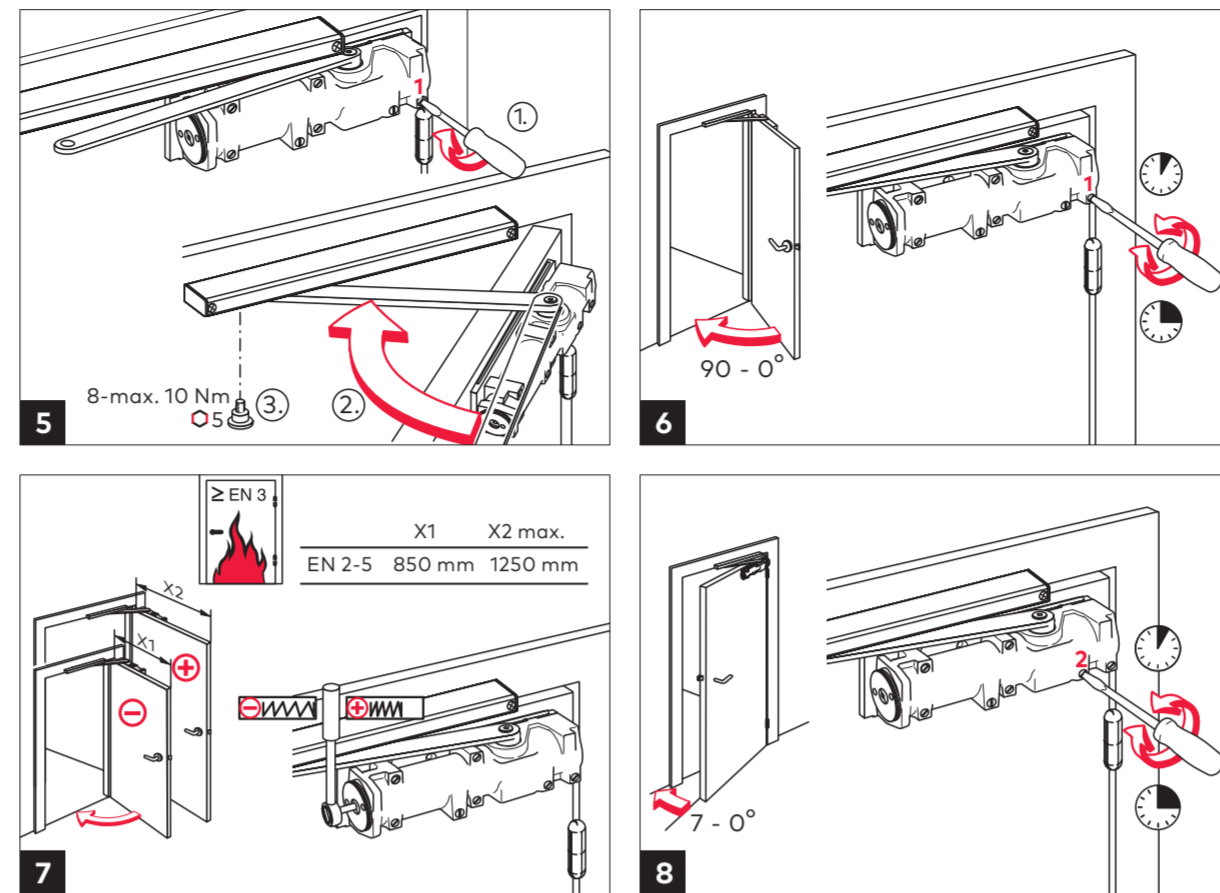
WN 058841 45532

2020-04

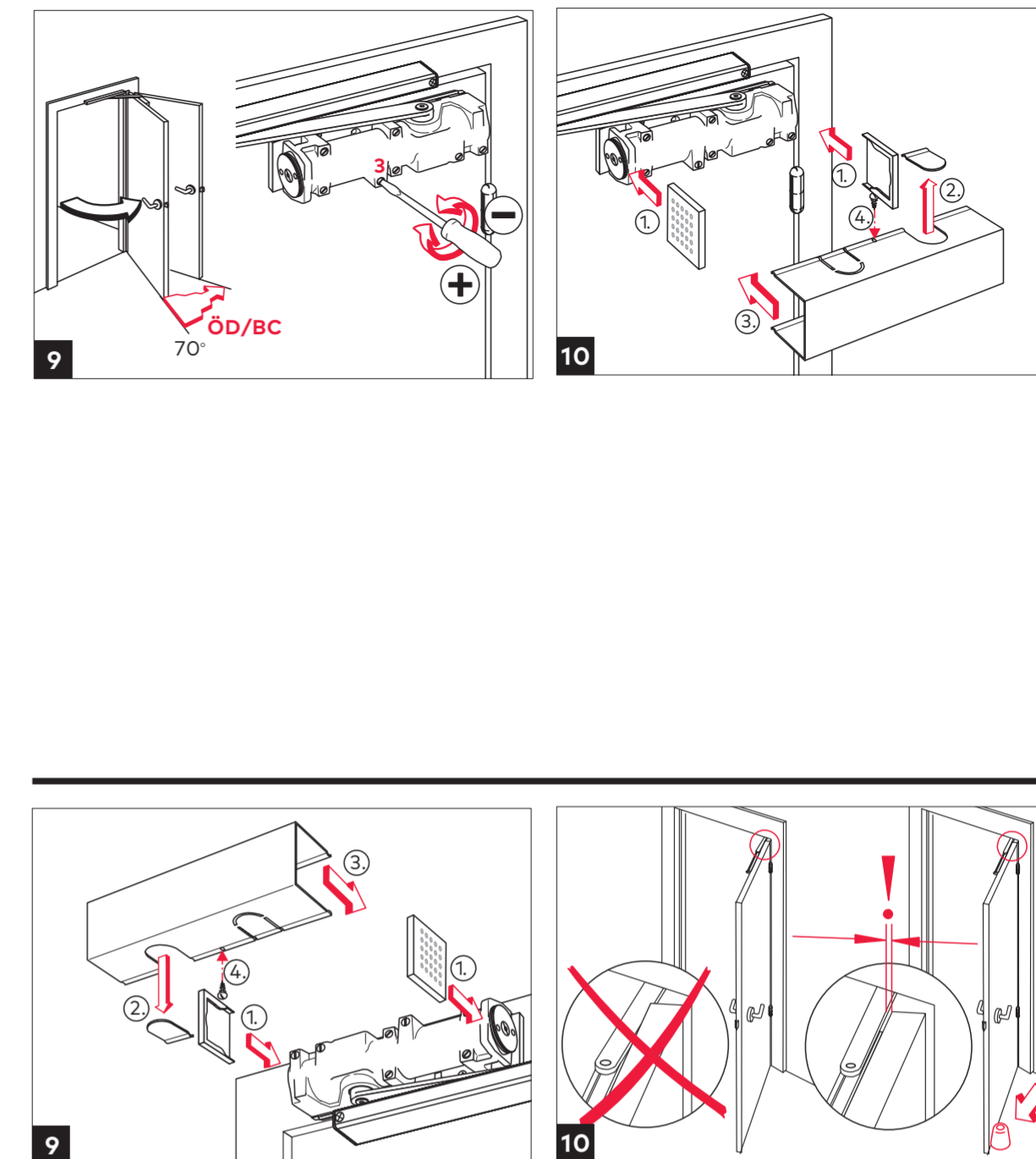




TS 93 B BASIC EN 2-5 WN 058841 45532 2020-04 5



TS 93 B BASIC EN 2-5 WN 058841 45532 2020-04 6



Änderungen vorbehalten  
Subject to change without notice

dormakaba Deutschland GmbH DORMA Platz 1 58256 ENNEPETAL Tel. +49 2333 793-0 Fax +49 2333 793-4950  
www.dormakaba.com

