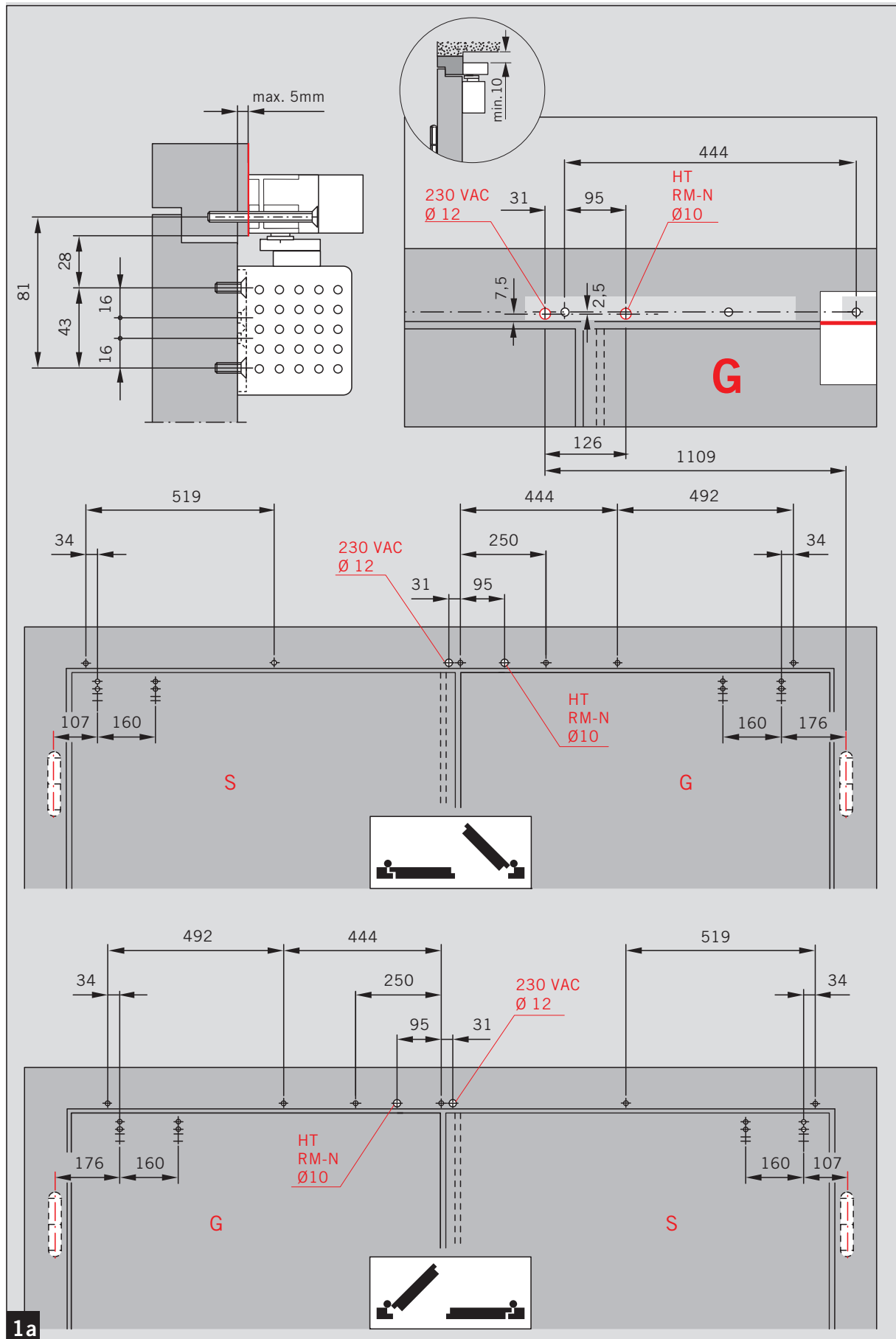
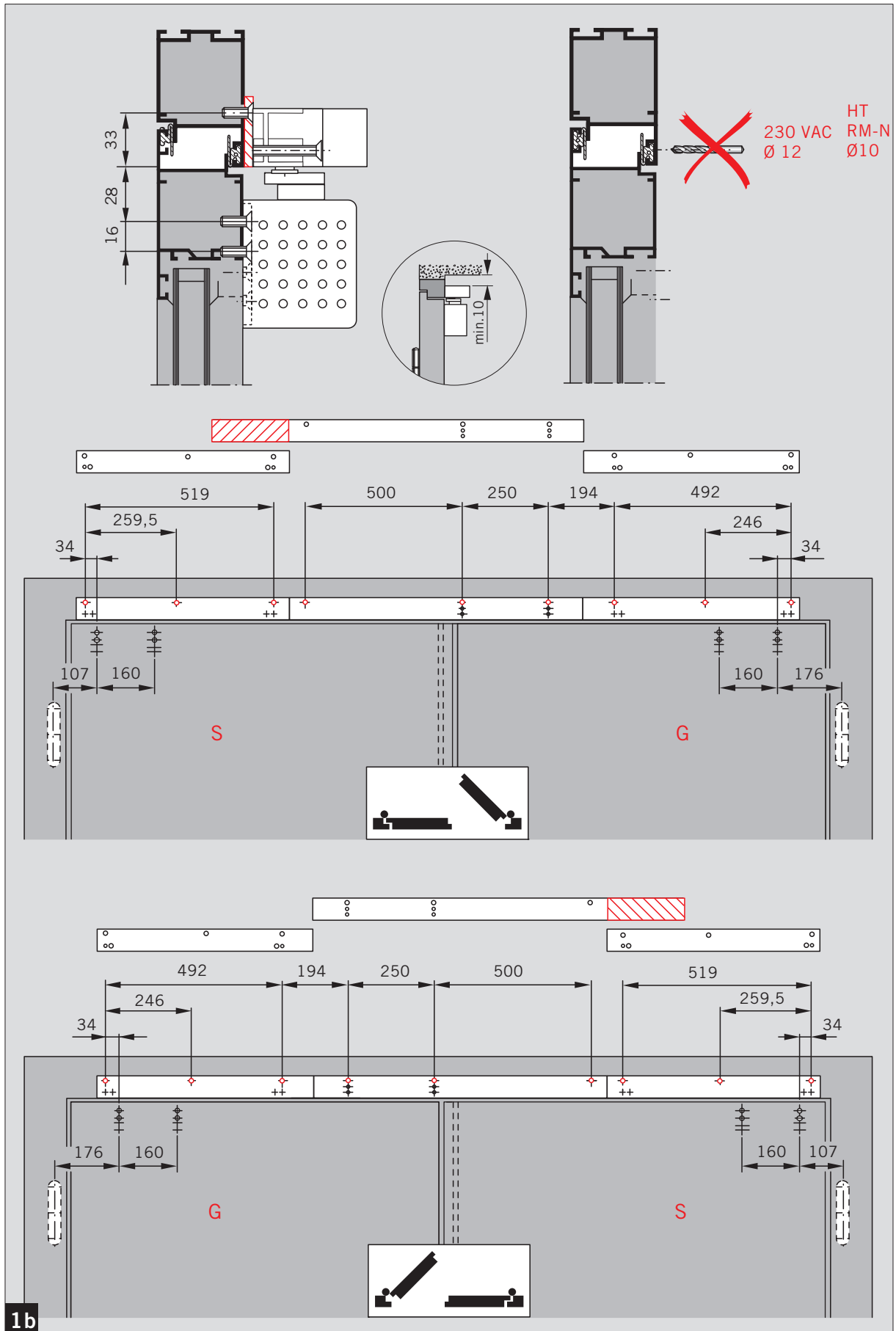


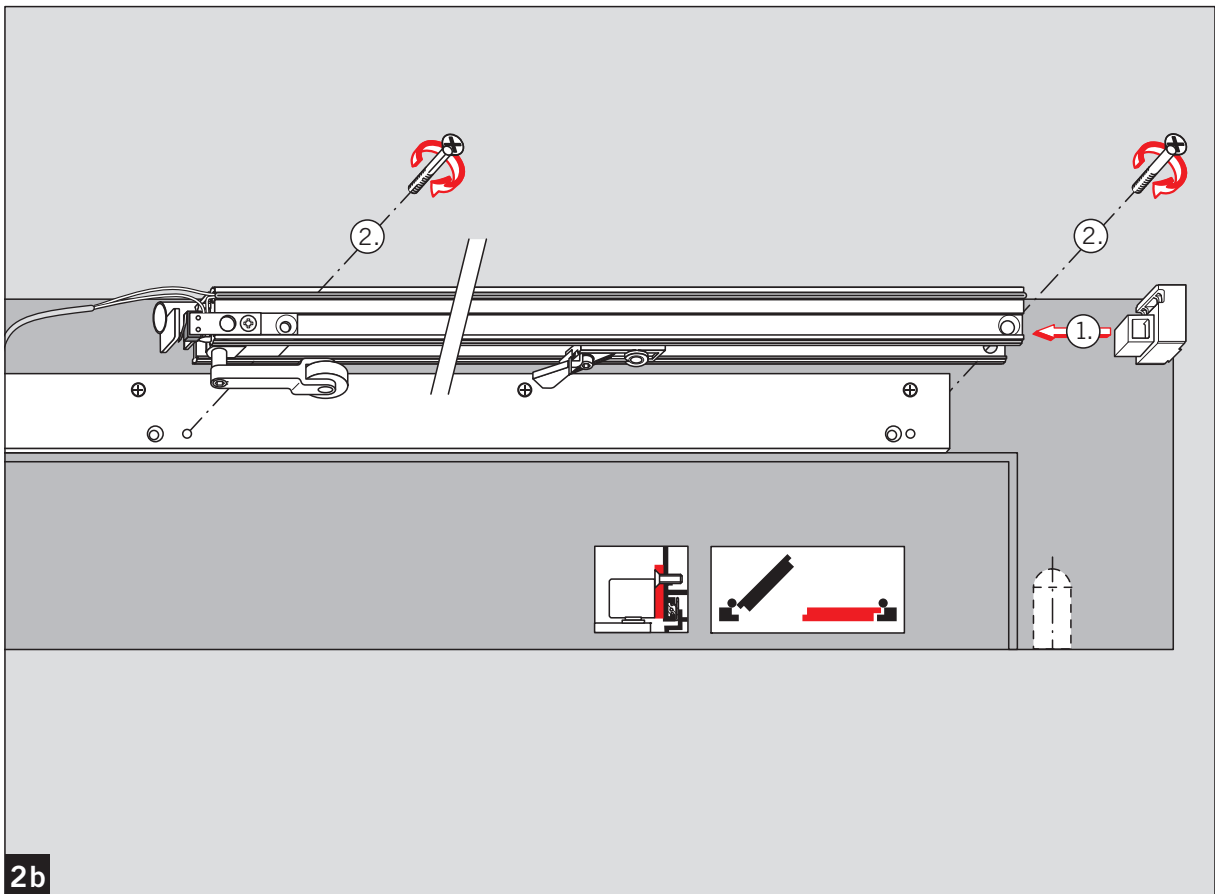
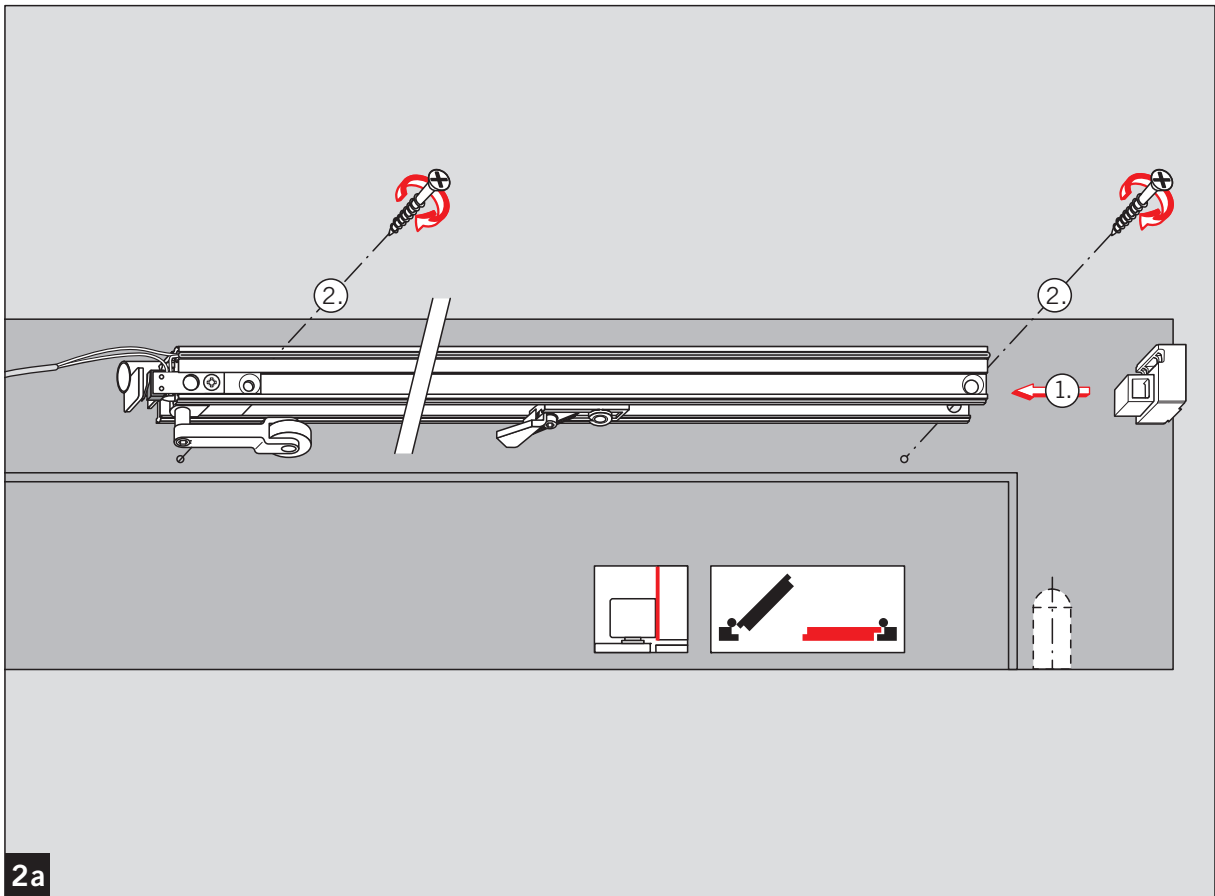
G-SR EMR/BG



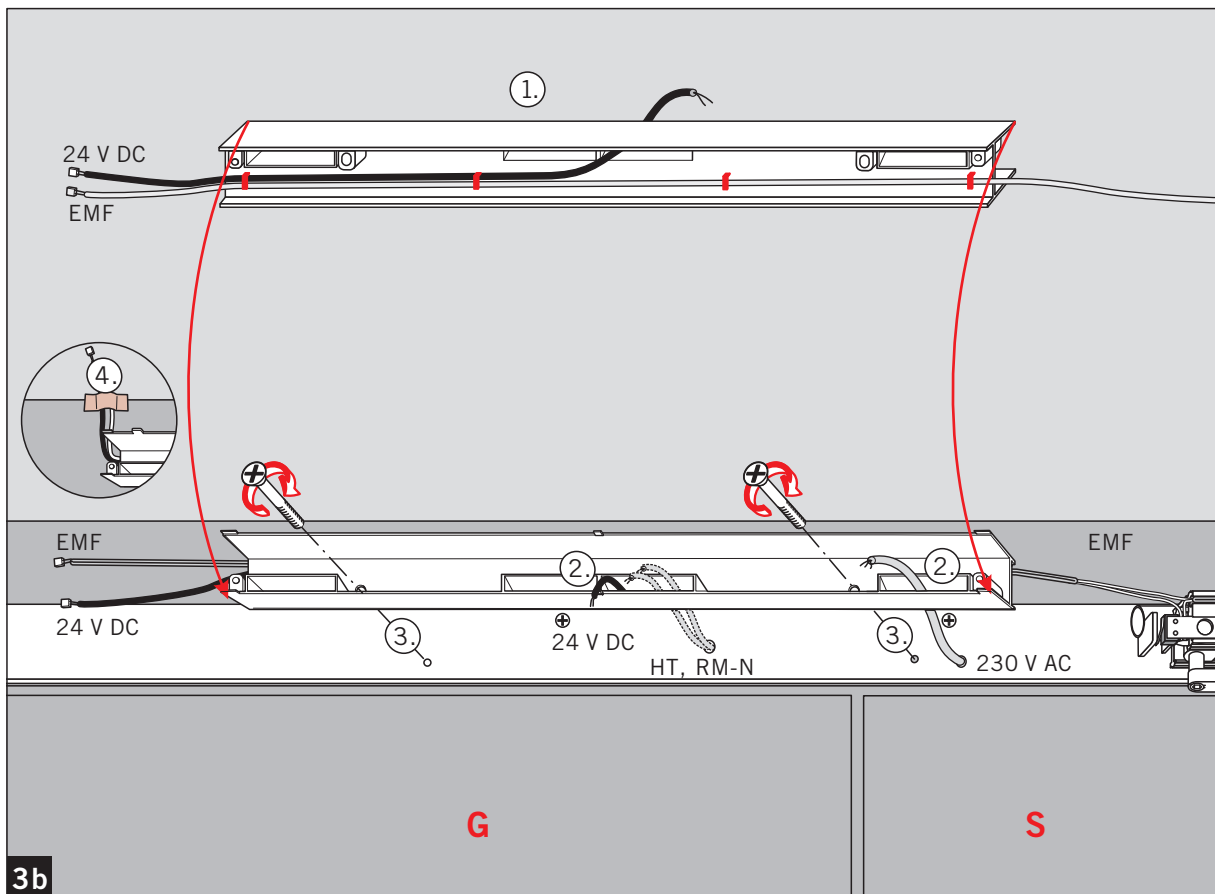
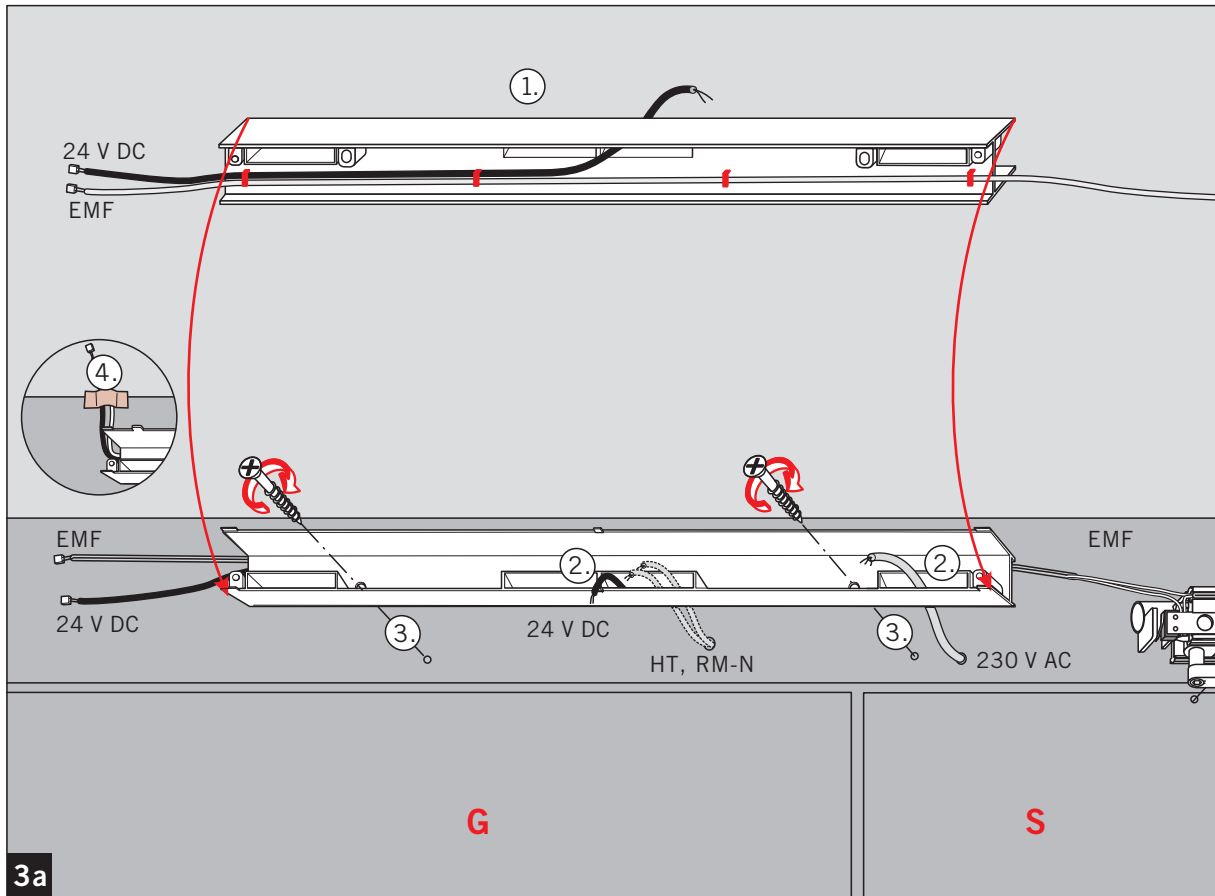
G-SR EMR/BG



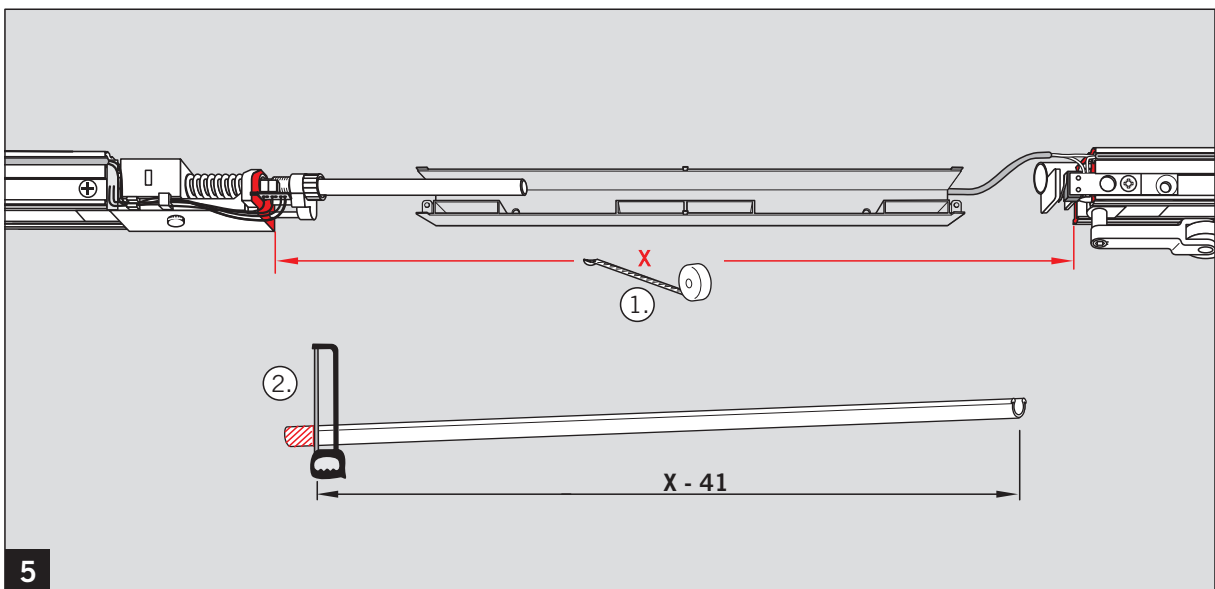
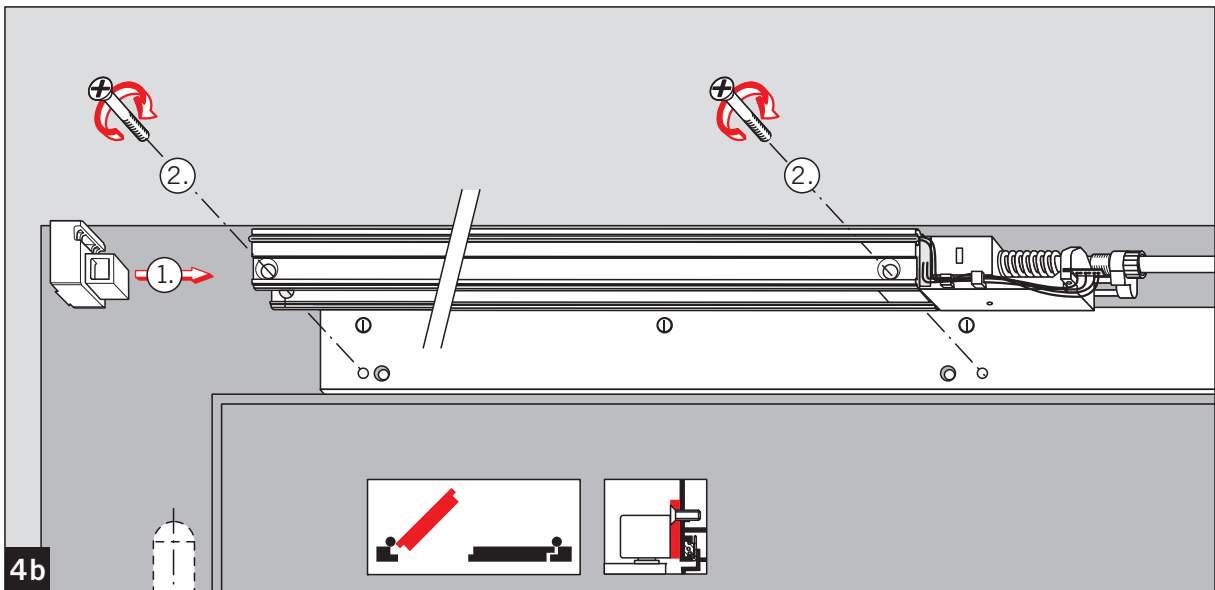
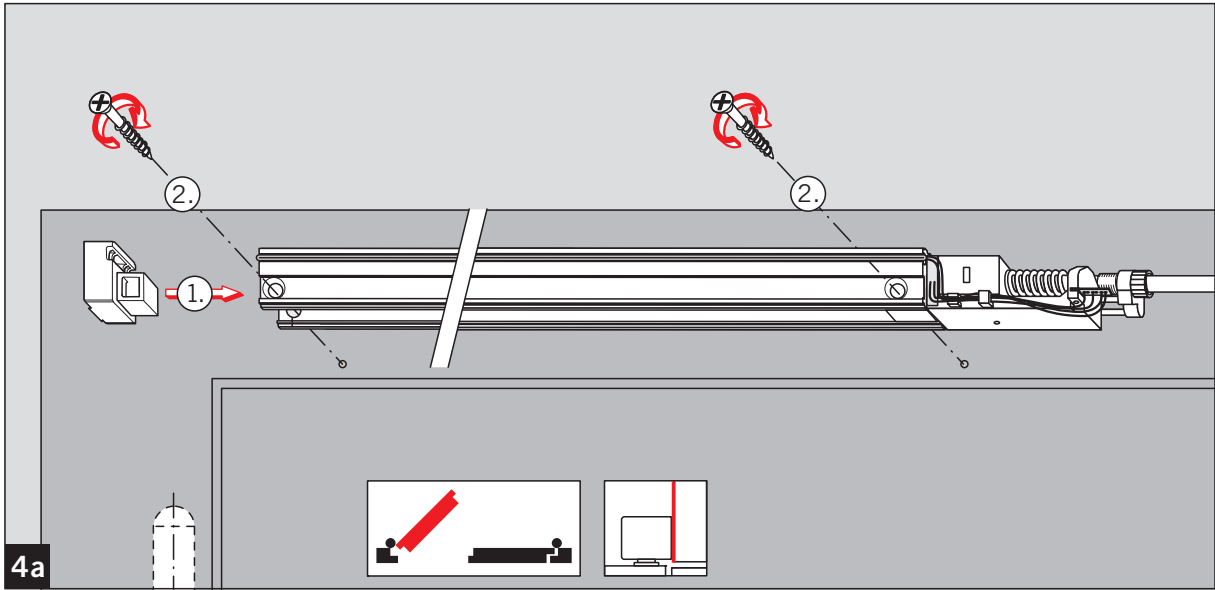
G-SR EMR/BG



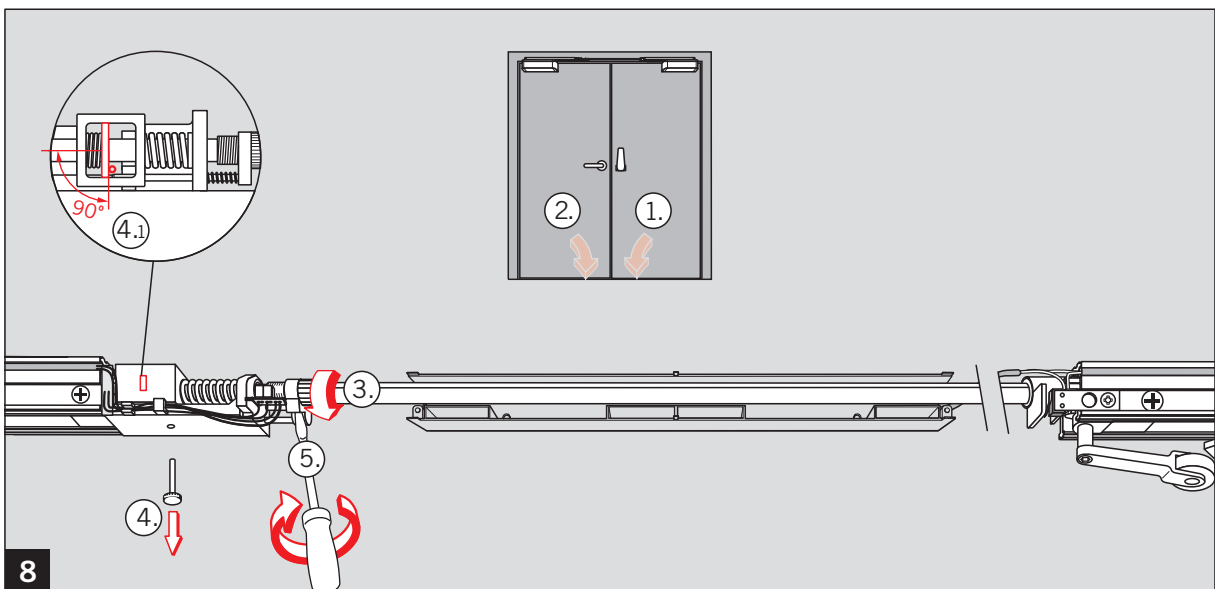
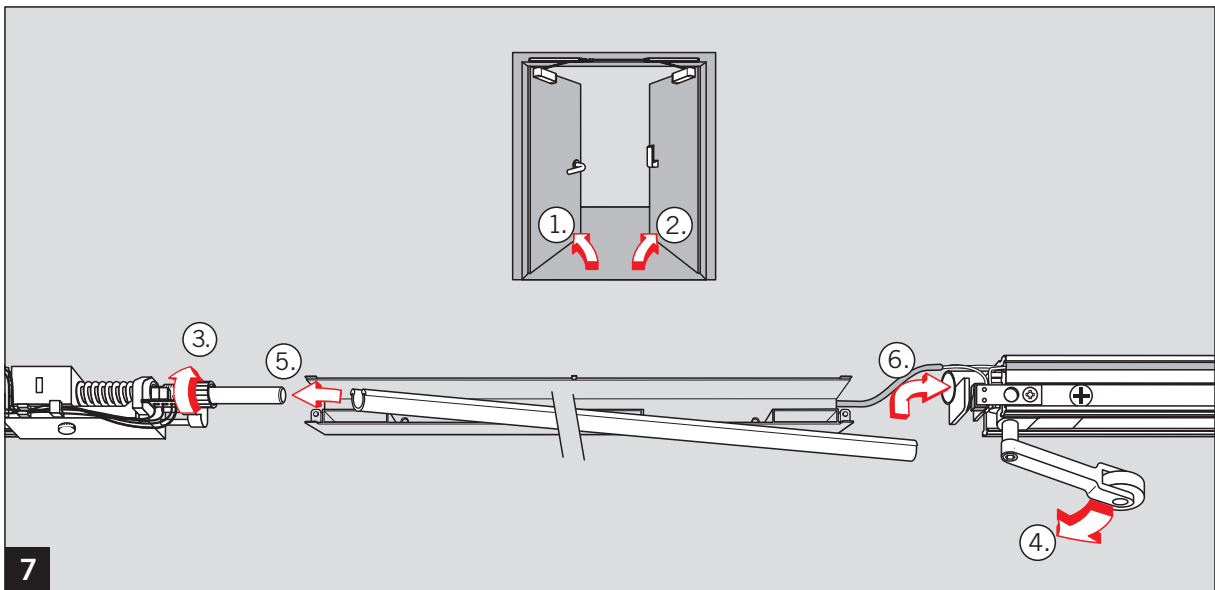
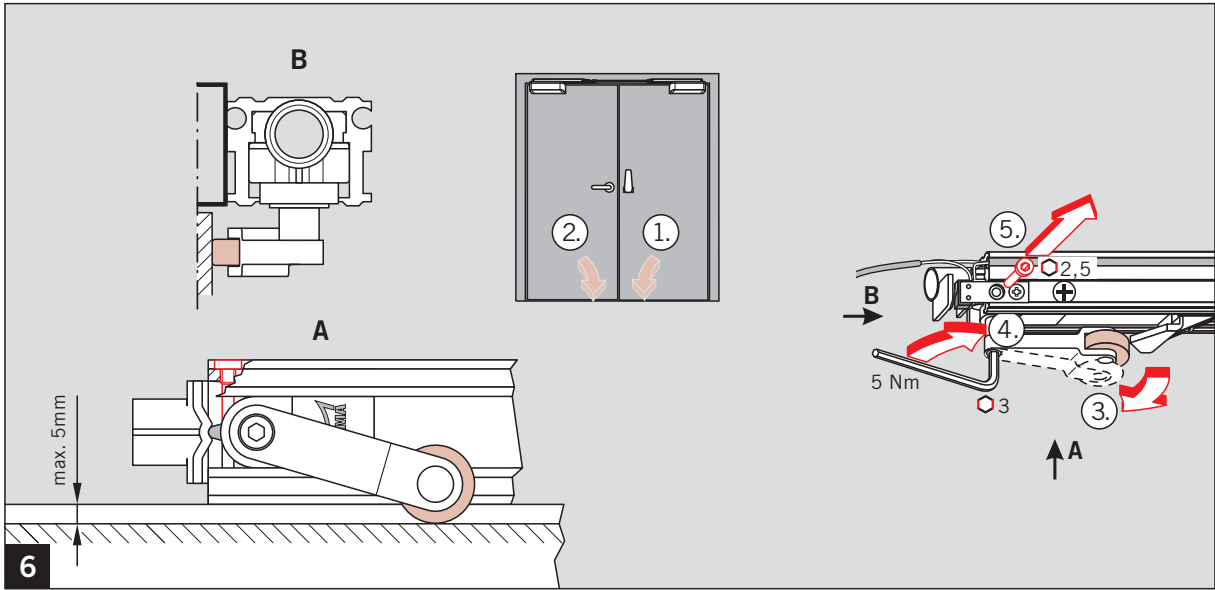
G-SR EMR/BG



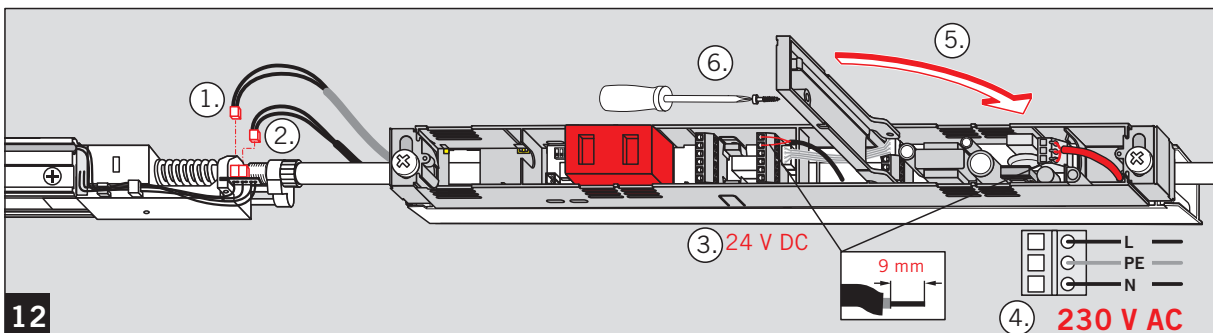
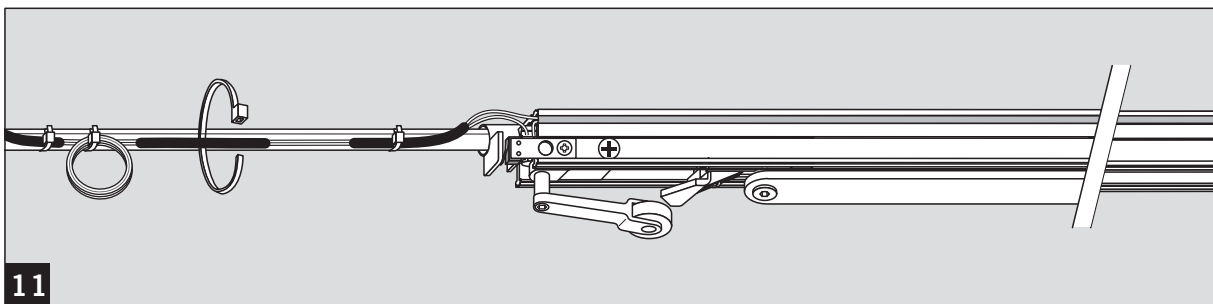
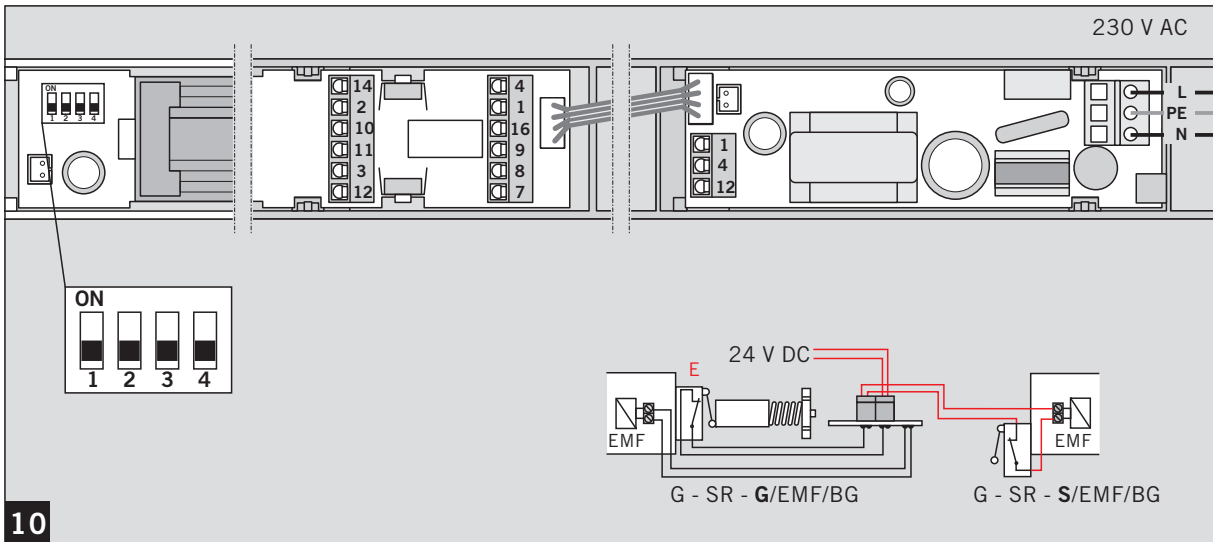
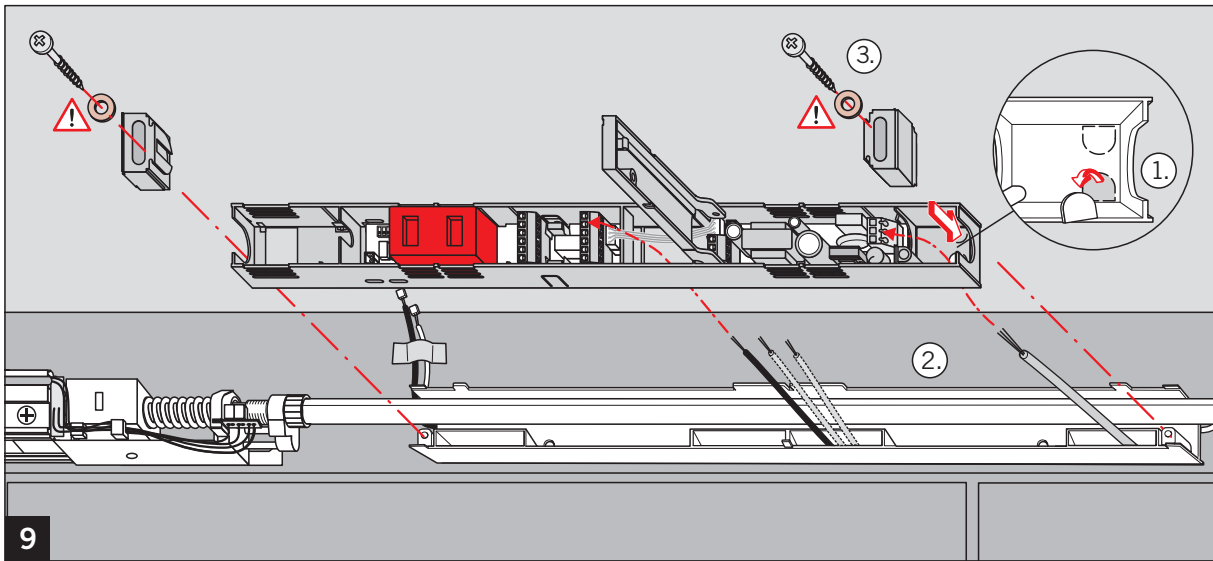
G-SR EMR/BG



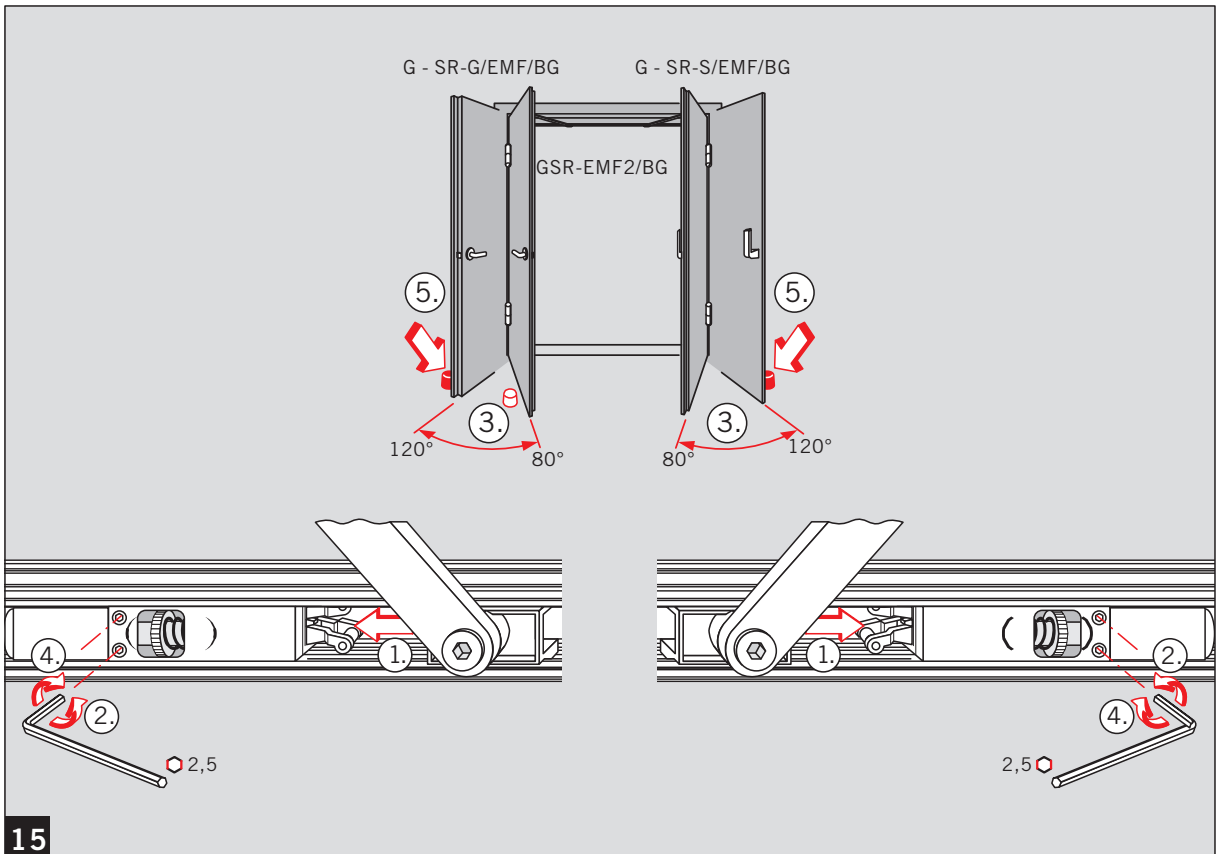
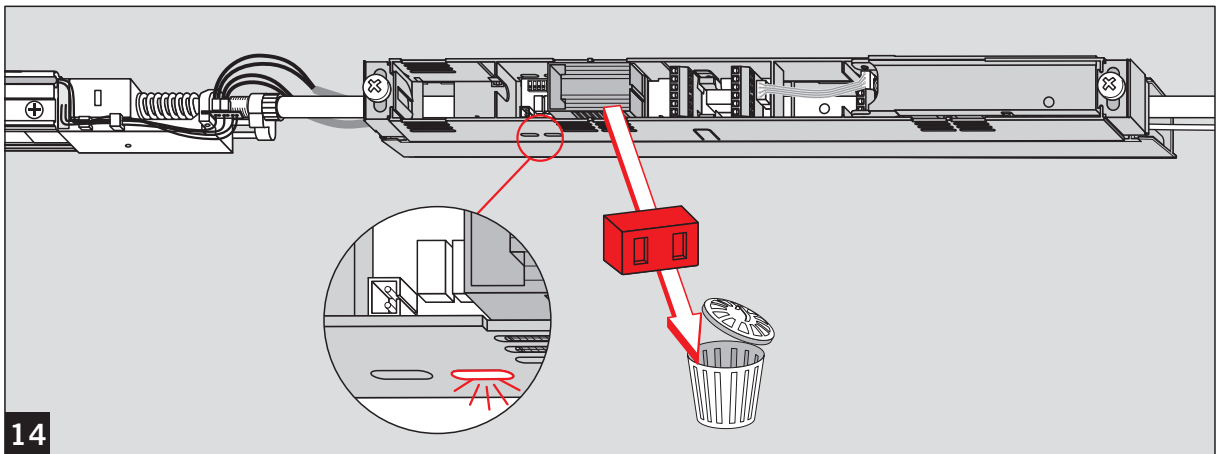
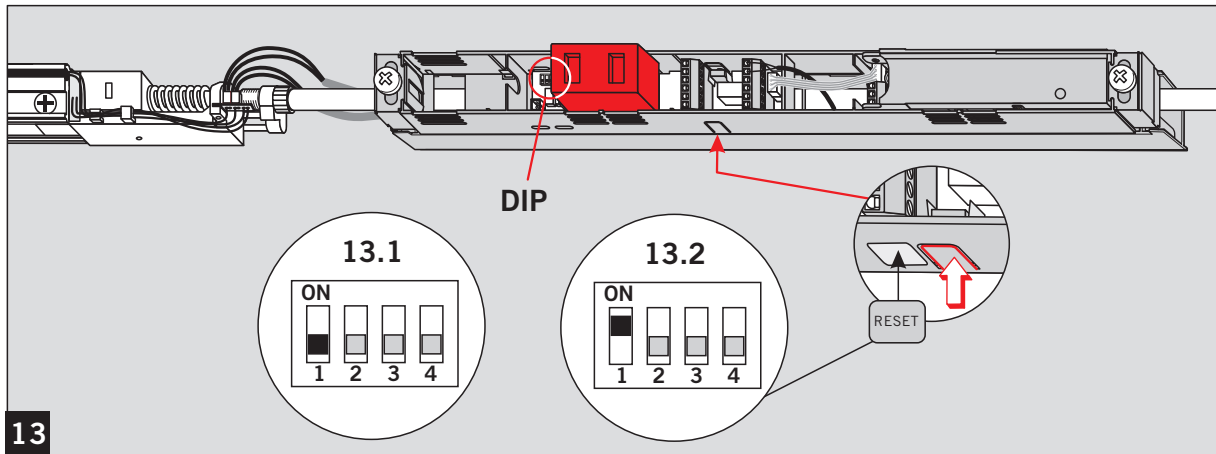
G-SR EMR/BG

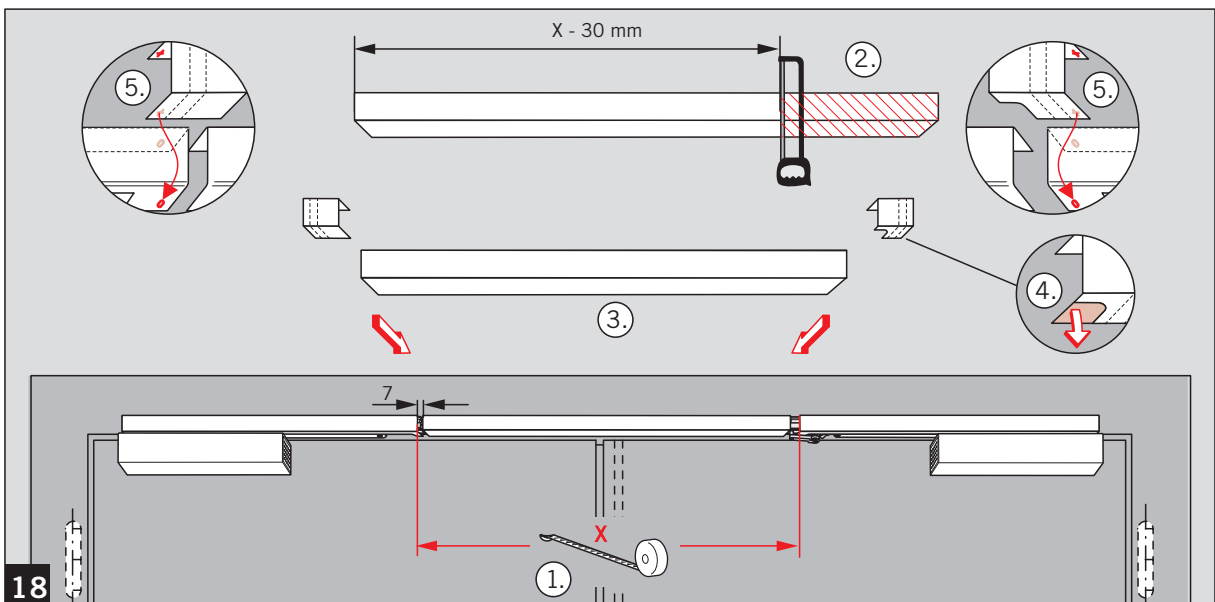
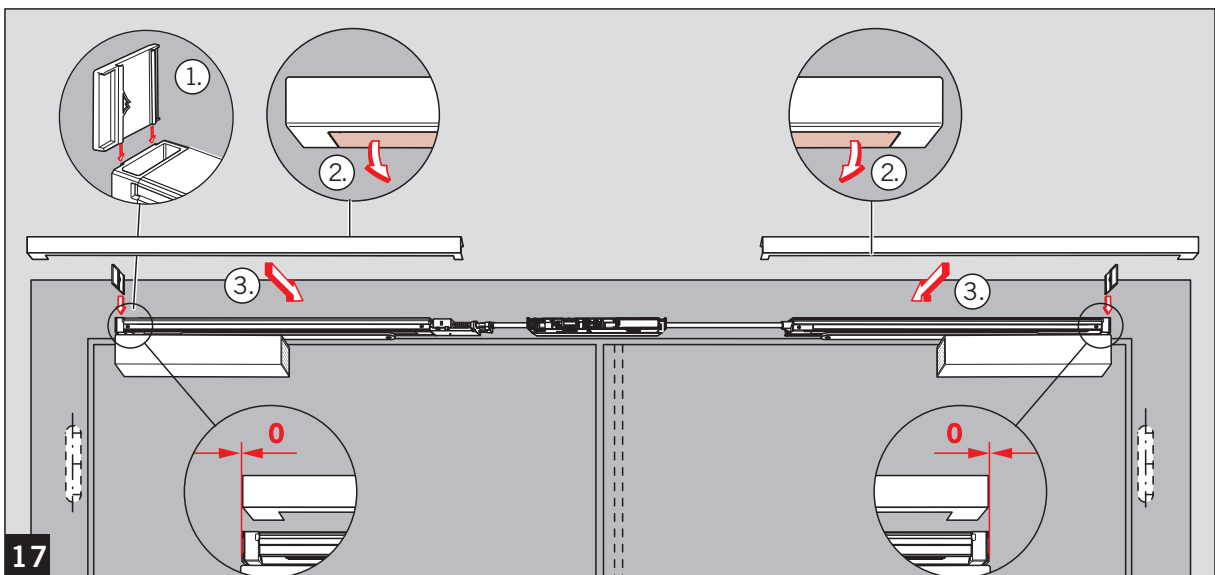
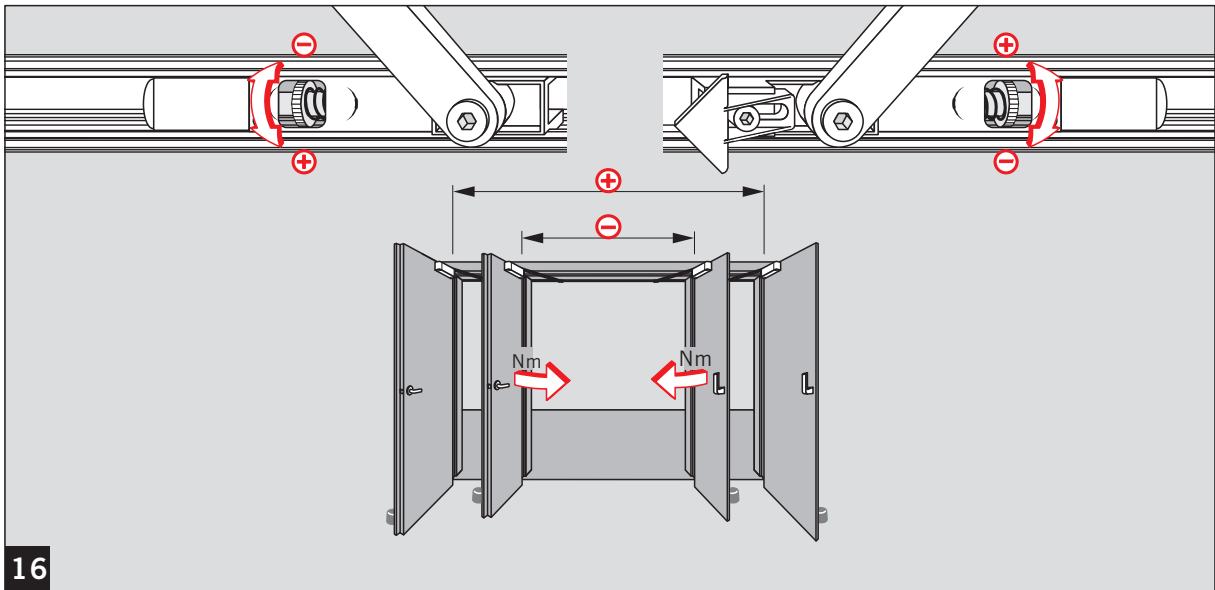


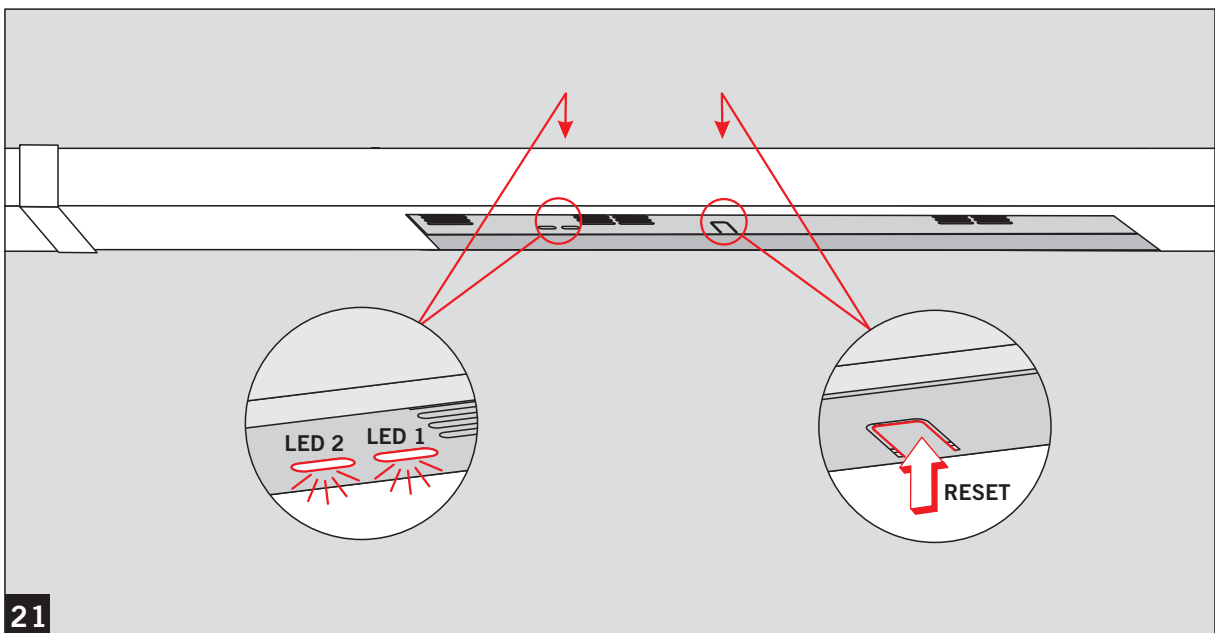
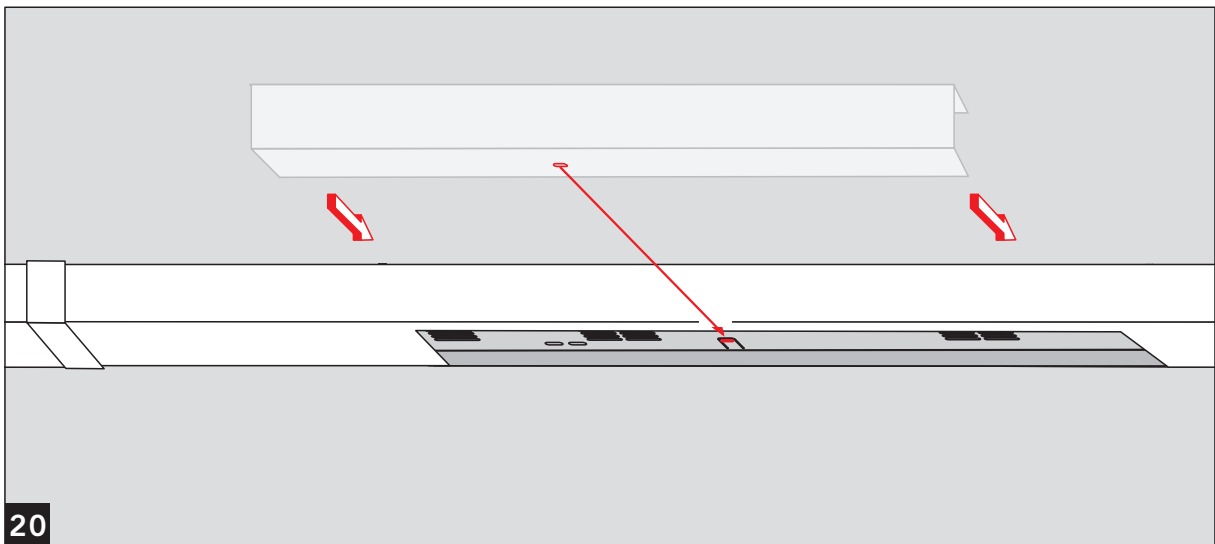
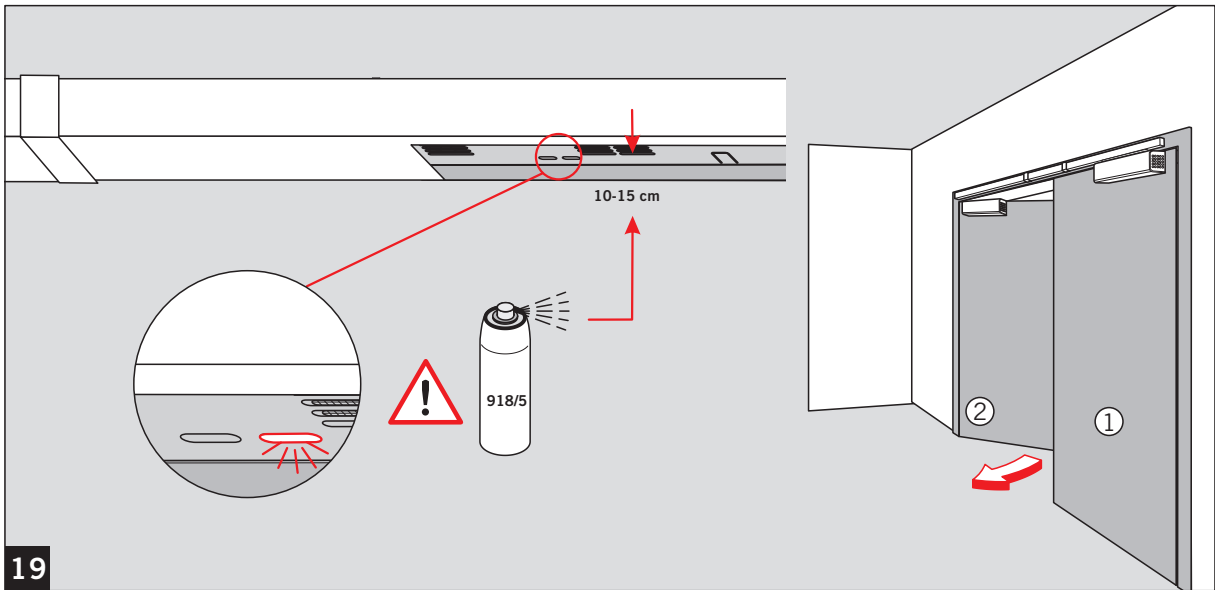
G-SR EMR/BG



G-SR EMR/BG







G-SR EMR/BG

Änderungen vorbehalten
Subject to change without notice