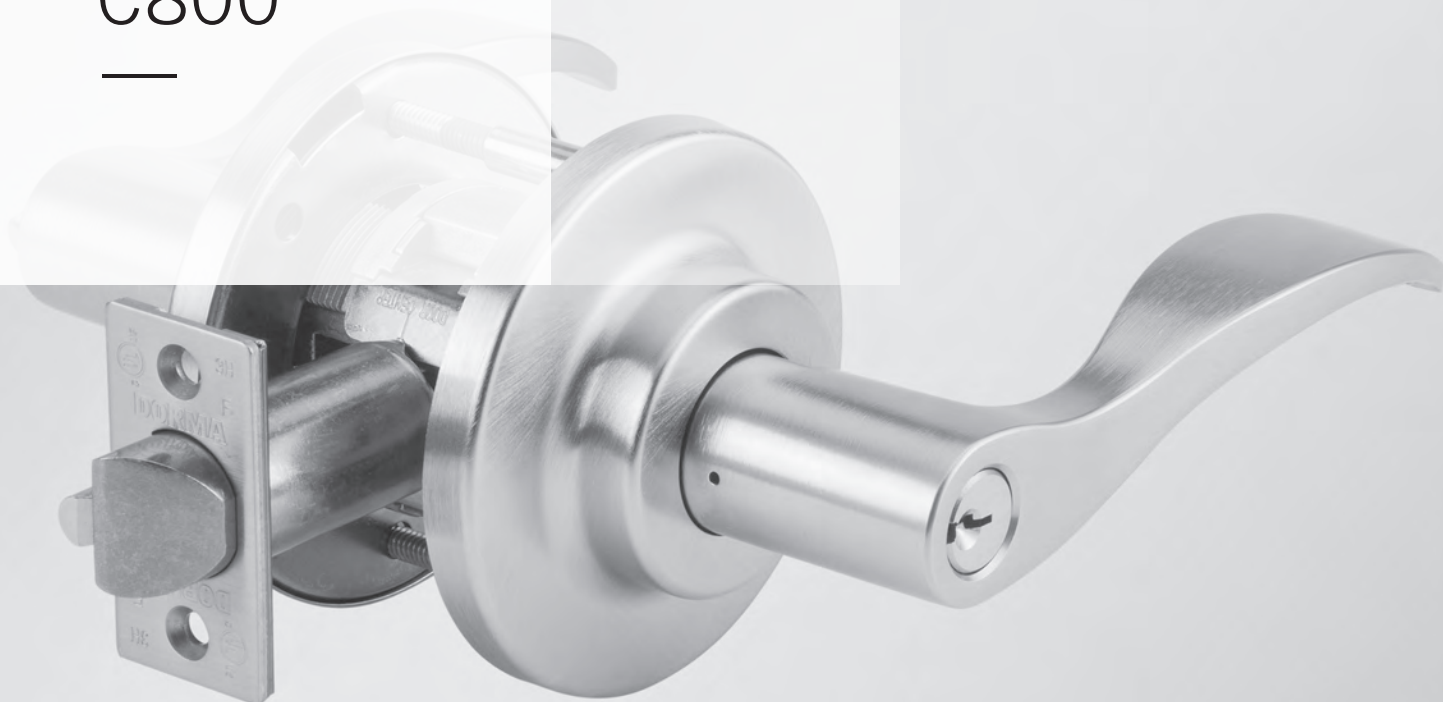




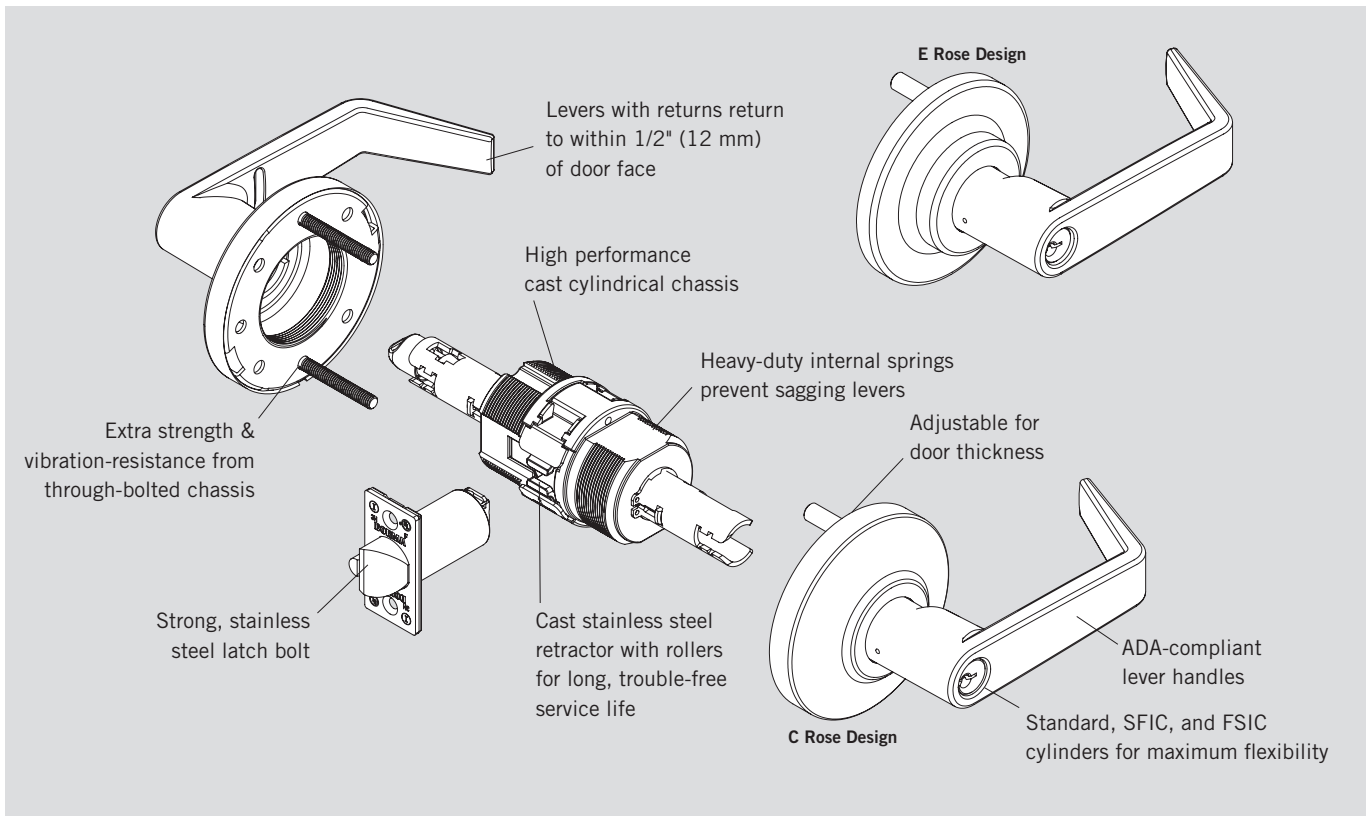
C800



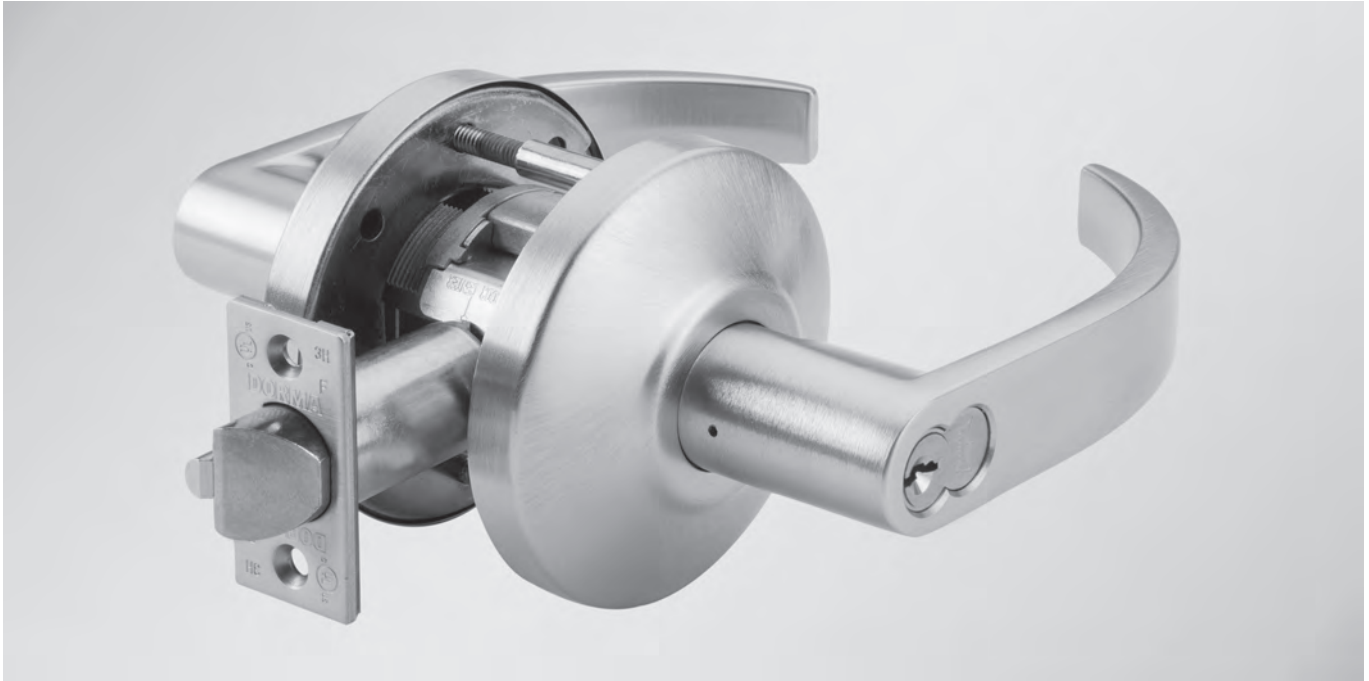
Grade 1 Heavy-Duty Cylindrical Locksets

CONTENTS

Grade 1 Heavy-Duty Cylindrical Locksets	Features	3
	Technical Details	4
	How to Order	5
	How to Order Keyways	6
Trim Options	C800 LC Lever	6
	C800 LF Lever	6
	C800 LG Lever	6
	C800 LR Lever	6
	C800 LT Lever	6
	C800 LV Lever	6
	C800 KB Knob	6
Functions	Available Functions	7
	Electromechanical Functions	9
Lock Options	How to Order Latch Bolt	10
	Latch Bolts	10
	Available Latches	10
	Backset Links	11
	4-7/8" Strike	11
	T-Strike	11
	Full Lip Strike	11
	Stamped Roses	11
	Tactile Warning (Knurling)	11



C800 – GRADE 1 HEAVY-DUTY CYLINDRICAL LOCKSETS



Exceptional security, enhanced aesthetics, and rugged dependability.

These premium locks are built with a high performance cylindrical chassis for all applications where ANSI/BHMA A156.2 Series 4000 Grade 1 products are required. To meet the aesthetic needs of your project, these versatile locks are available in a range of trim designs.

Features

- DORMA C800 Series locks feature advanced design concepts for extreme reliability and are manufactured with the finest materials for exceptional durability.

- For exceptionally smooth operation, C800 Series lever locks incorporate a cast stainless steel retractor combined with roller bearings. This design provides both extremely high strength and an extended service life for the lock mechanism. All steel parts are zinc dichromate plated.
- C800 Series locks are easy to install in both wood and hollow metal doors with ANSI/BHMA Standard A156.115 preparations for cylindrical locks.
- C800 Series lever locks are through-bolted for additional strength and reliability.
- C800 Series lever locks are available with two rose designs, C or the stepped E. See page 11 for a sectional view of both roses.
- C800 Series operating lever trim features a specially designed freewheeling function to protect the lock from damage caused by excessive torque applied to the lever handles. When locked, the outside lever handle will move freely through a 60° arc without operating the latch bolt. This free movement minimizes the opportunity for damage to the lock mechanism.
- C800 Series lever locks include a special, high-strength spring and positive stop to eliminate unsightly sagging levers.
- C800 Series lever locks are easily adjustable to accommodate doors from 1-3/4"–2-1/4" thick without spacers (1-3/8"–1-5/8" with spacers 660005). Consult the factory for other thicknesses.
- C800 Series knob locks will accommodate doors from 1-3/8"–2" thick without spacers or special tools.

DORMA USA quality and environmental management systems in Reamstown, PA and Steeleville, IL are certified to ISO 9001:2008 and ISO 14001:2004.



LR Lever with C Rose



LG Lever with E Rose



KB Knob IC with B Rose

TECHNICAL DETAILS

Recommended Applications

- Schools and Universities
- Hotels
- Apartments
- Hospitals and Nursing Homes
- Churches
- Municipal Buildings
- Airports
- Retail Complexes
- Offices
- Warehouses

Technical Details

- Non-handed for simple installation (excluding LF or LV handed levers).
- Key-in-lever lock is through-bolted for additional strength and security.
- Cast stainless steel latch retractor with roller bearings for exceptionally smooth operation and superior strength and durability.
- Lock chassis constructed of steel, stainless steel and zinc components for superior strength and corrosion resistance.
- Stainless steel latch bolt.
- Auxiliary deadlocking latch bolt.
- Premium PVD (physical vapor deposition) finishes for consistent durable color.
- Accepts standard and interchangeable core cylinders.

Certification/Compliance

ANSI/BHMA

Certified to A156.2 Series 4000 Grade 1. Meets A117.1 accessibility code and ADA requirements for barrier-free accessibility.



UL/CUL – UL 10C Positive Pressure



All C800 Series locks are listed 3 hour fire rated. Locks with 1/2"

throw latch bolts are listed for A label and lesser class doors, 4'0" x 8'0" maximum per leaf.

California State Reference Code (formerly title 19, California State Fire Marshall standard)

All levers with returns, return to within 1/2" (12 mm) of door face.

Cylinders and Keying

- Unless otherwise specified, cylinders will be provided in DORMA standard keyway with two (2) nickel silver keys.
- Optional patented key system available.
- Refer to separate **DORMA Price List** for full details and options such as master keying, retrofit cylinders and keyways, and small format and full size interchangeable cores.

Warranty

For details, refer to **Limited Warranty Policy** in the current **DORMA Price List**.

Finishes

Brass: 605* (Bright, Clear Coated), 605 PVD (Bright), or 606 PVD (Satin).

Bronze: 612 PVD (Satin) or 613 PVD (Dark Oxidized Satin).

Nickel: 619 PVD (Satin).

Chrome: 625 (Bright) or 626 (Satin).

Stainless: 630* (Satin).

*Available on knob locksets only.

NOTE: Consult factory for finishes not shown.

Antimicrobial Protected Coating
Specify **AM**.

Special Finish Notes

ANSI/BHMA A156.18 standards describe 613 Dark Oxidized Satin Bronze finish as a category B finish. B category finishes, "do not match from one alloy or form of material to the next and from one manufacturer to the next." The 613 finish may vary between manufacturers' products and models.

In some instances, for customer convenience, the most appropriate BHMA finish symbols are used to indicate similarity of appearance, regardless of base metal or finishing process. Finishes of latches, strikes, cylinders/cores, and visible mounting screws, though similar in appearance, may differ from the finish of the trim. Finish designations in the 600 numbers are the BHMA (Builders Hardware Manufacturers Association) industry standard.

Security Screws

Torx® tamper-resistant screws are available for all exposed screws. Specify **TX**.

HOW TO ORDER C800 SERIES LOCKS

Function	
Faculty Restroom/Hotel ¹	85
Asylum	82
Electrically Unlocked (Fail Secure)	80EU
Electrically Locked (Fail Safe)	80EL
Storeroom	80
Classroom Intruder	77
Corridor	73
Communicating	72
Classroom	70
Store Door	66
Exit/Communicating Classroom	65
Apartment	60
Service Station	55
Entry	53
Entry/Office	50
Hospital Privacy	48
Exit/Communicating Storeroom	44
Privacy, Bedroom or Bath	40
Patio	30
Exit/Communicating Passage	25
Exit	12
Passage/Closet	10
Dummy Trim Two Sides	02
Dummy Trim One Side	01

Cylinder Type ⁹		Finish ⁵	
S	Sargent 6300 FSIC (less core)	630	Satin Stainless (Knob Designs)
D	Conventional Cylinder	626	Satin Chrome
L	Less Cylinder	625	Bright Chrome
C	SFIC	619 PVD	Satin Nickel
J	Less SFIC	613 PVD	Dark Oxidized Satin Bronze
T	Temporary SFIC	612 PVD	Satin Bronze
R	Schlage FSIC (less core)	606 PVD	Satin Brass
		605 PVD	Bright Brass (Lever Designs)
		605	Bright Brass (Knob Designs)

C8	53	RX	D	LR	C	626	AM	TX	RH	LH	10252	134	5001	1316	XXXX
-----------	-----------	-----------	----------	-----------	----------	------------	-----------	-----------	-----------	-----------	--------------	------------	-------------	-------------	-------------

Product Family	Lever/Knob Design	Rose Design ⁴	Door Hand	Door Thickness ^{7,8}	Strike Options ⁷	Lip Length ⁷
Heavy-Duty Grade 1 Cylindrical Lockset	Lever	LR	B	3" Dia.	134	1-3/4"-2-1/4"
	Lever	LC	C	3-1/2" Dia.	138	1-3/8"-1-5/8"
	Lever	LG	D	3-1/2" Dia. stamped, LOCK		
	Lever	LT	E	3-1/2" Dia. stepped rose		
	Lever, Handed	LF	F	3-1/2" Dia. stepped rose stamped, LOCK		
	Lever, Handed	LV				
	Knob	KB				

See Next Page for Keying Options

- Faculty Restroom/Hotel function available in SC and SE keyway only. Not available in SFIC or prepared for competitor cylinders.
- Request to exit option only available on lever locks. Refer to pages 7-9 for available functions.
- Will also accept the Corbin/Russwin Pyramid 7-Pin IC core.
- Rose B applicable to knob designs only. Roses C, D, E, and F applicable to lever designs only. Split design roses not available.
- For split finishes, available on levers only, consult factory. Specify hand.
- Available on lever trim, 626 finish only. Consult factory for other finishes.
- Example shows default values. Refer to **DORMA Price List** for full details.
- Door Thickness Range:
Lever locks 1-3/4"-2-1/4" without spacers, 1-3/8"- 1-5/8" with spacers
Knob locks 1-3/8"-2" without spacers or special tools.
- Consult Factory for other Cylinder Options.

HOW TO ORDER KEYWAYS

Standard Keyways

Keying

- OBIT** — O-Bitted
- CMK** — Construction Master Keyed
- MKD** — Master Keyed
- NSK** — Non-Stock Keyed
- KA4** — Keyed Alike, Sets of 4
- KA2** — Keyed Alike, Sets of 2
- KD** — Keyed Different

SC KD

- SC** — Schlage C
- SE** — Schlage E
- D100** — DORMA SKC

Retrofit Keyways Available O-Bitted Only

- CA** — Corbin 60
- CD** — Corbin 59A1
- CE** — CorbinRusswin L4
- RA** — Russwin 981
- RB** — Russwin D1
- GA** — Sargent LA
- SF** — Schlage F
- WA** — Weiser E
- YA** — Yale 8
- YG** — Yale GA

Keyway

Keying

- TMP** — Temporary Construction Core
- MKD** — Combined (Master Keyed)

BA MKD

- OO** — Less Core
- BA** — Best A
- BB** — Best B
- BC** — Best C
- BD** — Best D
- BE** — Best E
- BF** — Best F
- BG** — Best G
- BH** — Best H
- BJ** — Best J
- BK** — Best K
- BL** — Best L
- BM** — Best M
- BQ** — Best Q
- D100** — DORMA SKC (7-pin Core only)

IC Keyways

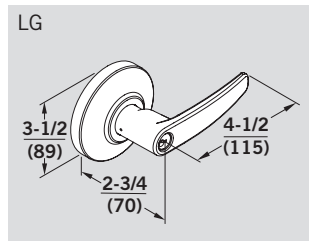
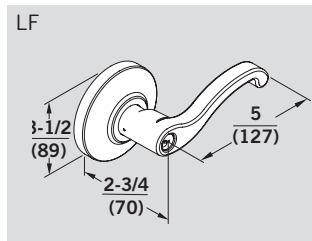
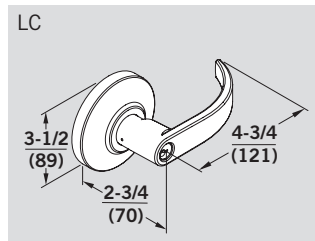
- BLK** — Black Construction Core
- BLU** — Blue Construction Core
- GRN** — Green Construction Core

Specify Color If Required to Match Existing Project

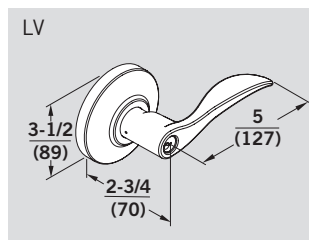
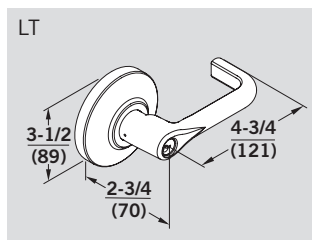
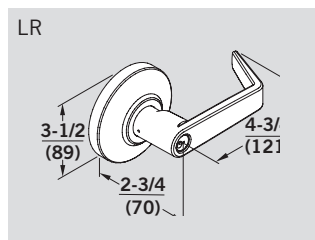
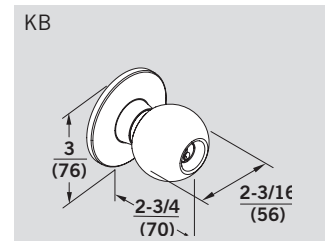
Keyway

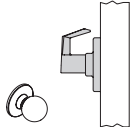
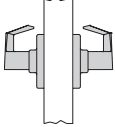
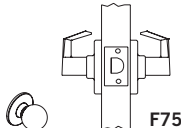
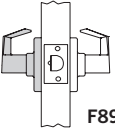
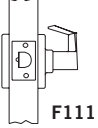
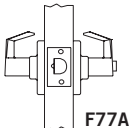
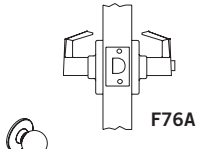
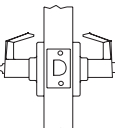
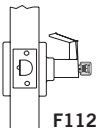
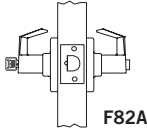
TRIM OPTIONS


Lever Designs




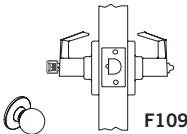
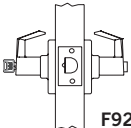
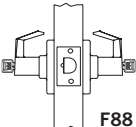
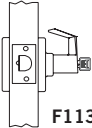
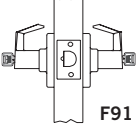
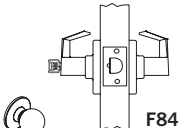
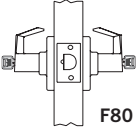
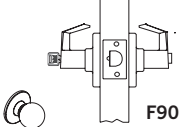
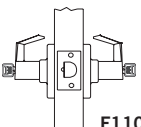
Knob Design



Function	Series	Outside	Description
Dummy Trim One Side	C801		<ul style="list-style-type: none"> Used as pull or matching trim on pairs of doors. For wood or custom hollow metal doors. Trim is surface mounted.
Dummy Trim Two Sides	C802		<ul style="list-style-type: none"> Used as pull or matching trim on pairs of doors. For wood or custom hollow metal doors. Trim through-bolted.
Passage/Closet	C810		<ul style="list-style-type: none"> Latch bolt operated by trim either side at all times.
Exit	C812		<ul style="list-style-type: none"> Deadlocking latch bolt operated by inside trim. Outside trim always rigid. Inside trim always unlocked.
Exit/Communicating Passage	C825		<ul style="list-style-type: none"> Deadlocking latch bolt operated by inside trim. Blank plate outside. Minimum clearance 1" on single doors and 2" between double doors.
Patio	C830		<ul style="list-style-type: none"> Deadlocking latch bolt operated by trim either side. Outside trim locked by push button or locking device inside. Outside trim unlocked by trim inside. Outside trim unlocked by closing door. Inside trim always operates latch bolt. Do not use in rooms that have no other entrance.
Privacy, Bedroom or Bath	C840		<ul style="list-style-type: none"> Latch bolt operated by trim either side. Outside trim locked by push button or locking device inside. Outside trim unlocked by emergency release outside. Outside trim unlocked by trim inside. Outside trim unlocked by closing door. Inside trim always operates latch bolt.
Hospital Privacy	C844		<ul style="list-style-type: none"> Latch bolt operated by trim either side. Outside trim locked by push button or locking device inside. Outside trim unlocked by emergency release outside. Outside trim unlocked by trim inside. Outside trim unlocked by closing door. Inside trim always operates latch bolt.
Exit/Communicating Storeroom	C848		<ul style="list-style-type: none"> Deadlocking latch bolt operated by key in trim. Trim always inoperable. Blank plate outside. Minimum clearance 1" on single doors and 2" between double doors.
Entry/Office	C850		<ul style="list-style-type: none"> Deadlocking latch bolt operated by trim either side, except when outside trim locked by push button inside. Key outside releases push button, unlocking outside trim. Operating inside trim releases push button, unlocking outside trim. Closing door does not release push button. Inside trim always operates latch bolt.

 Indicates rigid or inoperable lever.

 Indicates also available in knob trim.

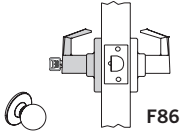
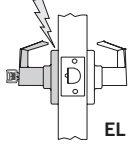
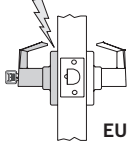
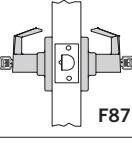
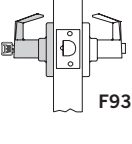
Function	Series	Outside	Description
Entry	C853	 F109	<ul style="list-style-type: none"> • Deadlocking latch bolt operated by trim either side, except when outside trim locked by push button inside. • Key outside releases push button, unlocking outside trim, except when inside button pushed and turned to keep outside trim locked. • Operating inside trim releases push button, unlocking outside trim, except when inside button pushed and turned to keep outside trim locked. • Inside button must be turned to unlock outside trim. • Inside trim always operates latch bolt
Service Station	C855	 F92	<ul style="list-style-type: none"> • Deadlocking latch bolt operated by trim either side, except when outside trim locked by push button inside. • Key outside, operating inside trim, or closing door releases push button, unlocking outside trim, except when slotted push button fixed in locked position by turning inside trim coin slot. • Slotted inside button must be manually released.
Apartment	C860	 F88	<ul style="list-style-type: none"> • Deadlocking latch bolt operated by trim either side, except when outside trim locked by key inside. • When outside trim locked, latch bolt retracted by key outside. • When outside trim locked, latch bolt operated by trim inside.
Exit/Communicating Classroom	C865	 F113	<ul style="list-style-type: none"> • Deadlocking latch bolt operated by trim. • Key locks or unlocks trim. • Blank plate outside. • Minimum clearance 1" on single doors and 2" between double doors.
Store Door	C866	 F91	<ul style="list-style-type: none"> • Deadlocking latch bolt operated by trim either side. • Key in either trim locks or unlocks both trims.
Classroom	C870	 F84	<ul style="list-style-type: none"> • Deadlocking latch bolt operated by trim either side, except when outside trim locked by key outside. • Outside trim locked or unlocked by key outside. • Inside trim always operates latch bolt.
Communicating	C872	 F80	<ul style="list-style-type: none"> • Deadlocking latch bolt operated by trim either side. • Turning key in trim locks, or unlocks, its own trim independently. • Do not use on doors in rooms that have no other exit.
Corridor	C873	 F90	<ul style="list-style-type: none"> • Deadlocking latch bolt operated by trim either side, except when outside trim locked by key outside, or when outside trim locked by push button inside. • Outside trim locked or unlocked by key outside. • Operating inside trim or closing door releases push button. • Inside trim always operates latch bolt.
Classroom Intruder	C877	 F110	<ul style="list-style-type: none"> • Deadlocking latch bolt operated by trim either side. • Key in either trim locks or unlocks outside trim. • Inside trim always operates latch bolt.



Indicates rigid or inoperable lever.



Indicates also available in knob trim.

Function	Series	Outside	Description
Storeroom	C880	 F86	<ul style="list-style-type: none"> • Deadlocking latch bolt retracted by key outside. • Deadlocking latch bolt operated by trim inside • Outside trim always inoperable.
Electrically Locked Fail Safe	C880EL	 EL	<ul style="list-style-type: none"> • Outside trim locked when power is on. • Outside trim unlocked when power is interrupted. • Deadlocking latch bolt retracted by key outside. • Inside trim always operates latch bolt.
Electrically Unlocked Fail Secure	C880EU	 EU	<ul style="list-style-type: none"> • Outside trim unlocked when power is on. • Outside trim locked when power is interrupted. • Deadlocking latch bolt retracted by key outside. • Inside trim always operates latch bolt.
Asylum	C882	 F87	<ul style="list-style-type: none"> • Deadlocking latch bolt retracted by key either side. • Both trims always rigid.
Faculty Restroom/ Hotel	C885	 F93	<ul style="list-style-type: none"> • Deadlocking latch bolt operated by trim inside at all times. • Outside trim always inoperable. • Latch bolt retracted by key outside and lever inside, except when push button inside activates visual occupancy indicator in cylinder face, allowing only emergency master key to operate. • Operating inside lever or closing door releases visual occupancy indicator. • Rotating inside spanner button provides lock out feature by keeping visual occupancy indicator thrown. Released by lock out tool only (tool provided). • Faculty Restroom/Hotel function available in SC and SE Keyway only. • Not available in SFIC or prepared for competitor cylinders.



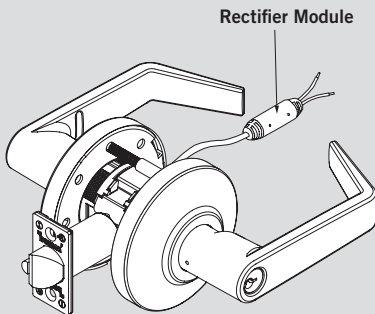
Indicates rigid or inoperable lever.



Indicates also available in knob trim.

Electromechanical Functions

Electrically locked fail safe.
Electrically unlocked fail secure.



Electrical Requirements for Solenoid Functions

Voltage: 24 VDC regulated, filtered.

Current: 0.145 A.

UL and CUL listed for use on fire doors.

- Solenoids are rated for continuous duty.
- Repeated operation at voltage exceeding +/-10% is not recommended.

RX: Request-to-exit signaling switch.

Voltage: 250 VAC.

Current Rating: 1 A.

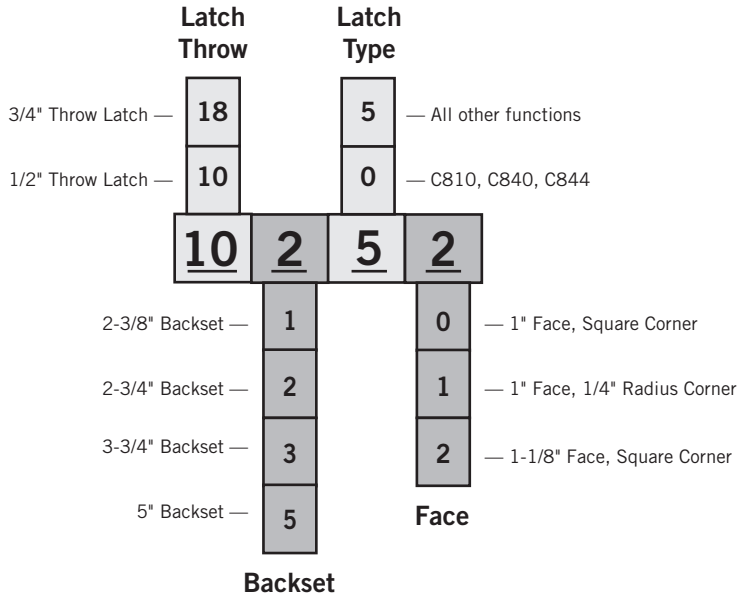
Wire Leads: 22 AWG.

- A microswitch attached to the chassis is activated when the inside lever rotates. The switch signals the lever use to security, allowing a means of immediate egress.
- Available on the following functions: C810, C850, C853, C870, C880, C880EL, C880EU.

When ordering specify **RX**. Example: C880EURX.

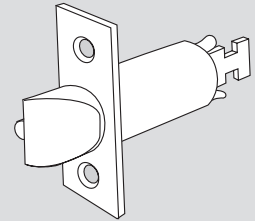
CAUTION: Not recommended for use on doors used for Life Safety egress.

HOW TO ORDER LATCH BOLT

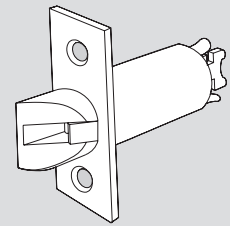


Latch Bolts

1/2" Throw Latch bolt, 2-3/4" Backset



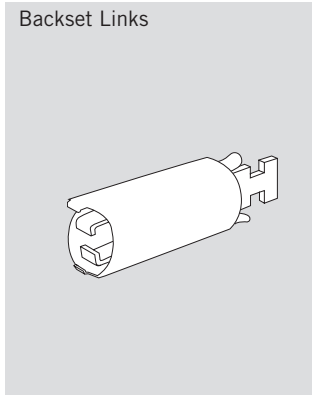
3/4" Throw Latch bolt



Available Latches

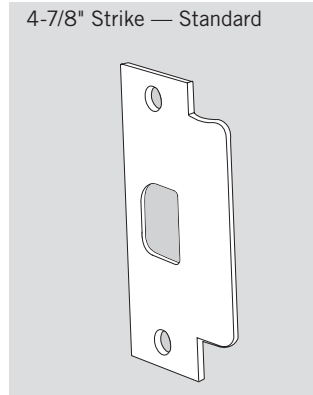
Item #	Throw	Backset	Face	Functions
10100	1/2"	2-3/8"	1", Square Corner	C810, C840, C844
10101	1/2"	2-3/8"	1", 1/4" Radius	C810, C840, C844
10102	1/2"	2-3/8"	1-1/8", Square Corner	C810, C840, C844
10150	1/2"	2-3/8"	1", Square Corner	All Other Functions
10151	1/2"	2-3/8"	1", 1/4" Radius	All Other Functions
10152	1/2"	2-3/8"	1-1/8", Square Corner	All Other Functions
10202	1/2"	2-3/4"	1-1/8", Square Corner	C810, C840, C844
10252	1/2"	2-3/4"	1-1/8", Square Corner	All Other Functions
10302	1/2"	3-3/4"	1-1/8", Square Corner	C810, C840, C844
10352	1/2"	3-3/4"	1-1/8", Square Corner	All Other Functions
10502	1/2"	5"	1-1/8", Square Corner	C810, C840, C844
10552	1/2"	5"	1-1/8", Square Corner	All Other Functions
18662	3/4"	2-3/4"	1-1/8", Square Corner	All Functions

LOCK OPTIONS



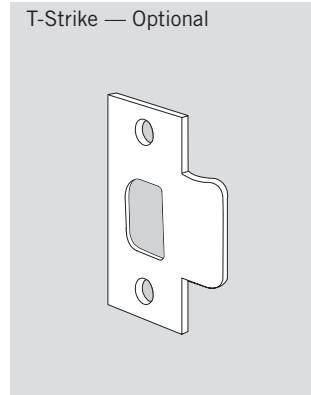
76016007 — Link combines with default 2-3/4" backset latch bolt to provide 3-3/4" backset. Use with all C800 Series lock functions.

76016008 — Link combines with default 2-3/4" backset latch bolt to provide 5" backset. Use with all C800 Series lock functions.



Dust box included.

5001 — ANSI 1-1/4" x 4-7/8" strike. 1-3/16" lip length. Default strike for all C800 Series locks.

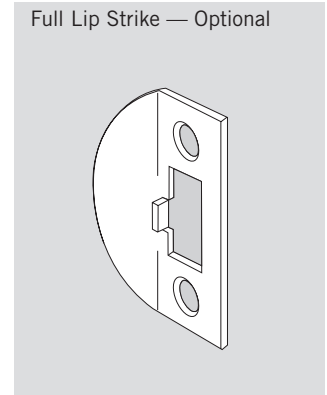


Dust box included.

5101 — 1-1/8" x 2-3/4" square T-strike. 1-1/8" lip length. Optional for all C800 Series locks.

5102 — 1-1/8" x 2-3/4" T-strike with radiused corners. 1-1/8" lip length. Optional for all C800 Series locks.

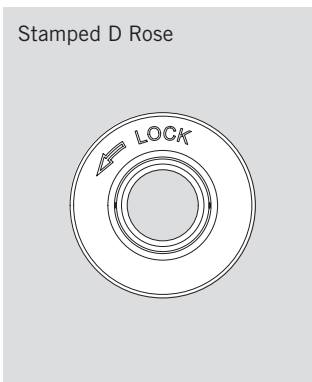
For optional 1-1/2" lip length, specify 5101-112 or 5102-112.



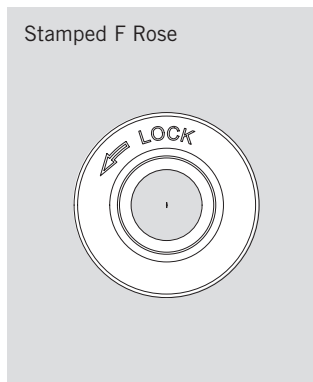
5201 — 1-5/8" x 2-1/4" full curved lip strike with square corners. 1-1/8" lip length. Optional for all C800 Series locks.

5202 — 1-5/8" x 2-1/4" full curved lip strike with 1/4" radiused corners. 1-1/8" lip length. Optional for all C800 Series locks.

Stamped Roses



D Rose — The word **LOCK** is stamped on the inside rose for double cylinder functions. Available on C860 and C877. Specify **D Rose** and finish.



F Rose — The word **LOCK** is stamped on the inside rose for double cylinder functions. Available on C860 and C877. Specify **F Rose** and finish.

Tactile Warning (Knurling)



Grooved or knurled levers available on LR and LG designs only. All other lever and knob designs available with abrasive coating only.



www.dorma.com



DORMA USA, Inc.
Dorma Drive, Drawer AC
Reamstown, PA 17567
Tel: 800 523 8483
Fax: 800 274 9724
archdw@dorma-usa.com

DORMA Canada
1680 Courtney Park Drive, Unit 13
Mississauga, Ontario L5T 1R4
Tel: 800 387 4938
Fax: 905 670 5850
www.dormacanada.com

DORMA Mexico
Calle Sur 110 no. 63, Col. Tolteca
01150 México, D.F.
Tel: 5255 5272 6937
Fax: 5255 5272 6948
operacion@dorma.com.mx