

KTC 2 (III)

Operating instructions



060384-45532/17166 – 02/2024

EN

Contents

1	Information about this document	3		9	
1.1	Contents and purpose	3		9	
1.2	Target group	3			
1.3	Other applicable documents	3			
1.4	Document storage	3			
1.5	Symbols used	3			
1.5.1	Hazard categories	3			
1.5.2	Other markings	3			
1.6	Optional equipment	3			
1.7	Customer service	3			
2	Safety	4		10	
2.1	Intended use	4			
2.2	Misuse	4			
2.3	Reasonably foreseeable misuse	4			
2.4	Basic warnings	4			
2.5	Danger points	6			
2.6	Safety equipment	6			
2.6.1	Personal protection	6			
2.6.1.1	Safety bumpers	6			
2.6.1.2	Canopy sensors	6			
2.6.1.3	Emergency stop buttons	6			
2.6.1.4	Light barriers	7			
2.6.1.5	Showcase door safety switch	7			
2.6.1.6	Speed monitoring	7			
2.6.1.7	Sliding door locking contact	7			
2.6.1.8	Control unit	7			
2.7	Personnel qualification	7			
3	Product description	8		13	
3.1	Leading and trailing mullions	8			
3.2	Door wing locking devices	8			
3.2.1	Electromagnetic brake	8			
3.2.2	Electromechanical locking device	8			
3.3	Technical data	9			
3.3.1	Mechanical information	9			
3.3.2	Drive unit information	9			
			3.3.3	Environmental conditions	9
			3.4	Operating elements	9
			3.4.1	Emergency stop button	9
			3.4.2	Program switches	9
			3.4.3	Disabled access button	9
			3.4.4	Motion sensors	10
			3.5	Revolving door signage	10
			3.6	External 7-segment display (optional)	10
			4	Operation	10
			4.1	Operating the program switch	10
			4.1.1	Changing the operating mode	10
			4.1.2	Changing the code	10
			4.1.3	Unlocking via key switch	10
			4.1.4	Measures to be taken if the code cannot be remembered	11
			5	Maintenance	11
			5.1	Spare parts	11
			5.2	Maintenance by dormakaba	12
			6	Cleaning	12
			6.1	Safety while cleaning	12
			6.2	Cleaning plan	13
			6.2.1	Daily cleaning	13
			6.2.2	Weekly cleaning	13
			7	Troubleshooting	13
			7.1	Error indication	13
			7.2	External 7-segment display	13
			7.3	Troubleshooting table	14
			7.4	Error reset	14
			7.5	Check the revolving door for blockage	14
			7.6	Unlocking the electromechanical locking device in case of power loss	14
			7.7	Sensors do not react to program setting	15
			8	Disassembly and disposal	15
			9	EC Declaration of conformity	15
			10	UKCA Declaration of Conformity	15

1 Information about this document

1.1 Contents and purpose

This manual facilitates the safe and efficient operation of the revolving door KTC 2 (III) (hereinafter also referred to as the "revolving door"). This manual constitutes a component of the product and must be stored to be accessible to personnel at all times. Before commencing any work, personnel must have carefully read through and understood this manual. Complying with all safety instructions and action steps provided in this manual is the basic prerequisite for safe working. The local accident prevention regulations and general safety conditions for the scope of application of the revolving door also apply.



Figures

The figures serve to provide a general understanding and may differ from the model of the revolving door that is actually delivered.

1.2 Target group

This manual is intended for the facility operator of the revolving door.

1.3 Other applicable documents

In addition to this manual, the following documents are also applicable to the revolving door:

- The KTC 2 (III) mounting instructions
- The KTC 2 (III) user manual
- Documentation for accessories used
- Inspection log for power-operated doors

1.4 Document storage

This manual and the applicable documents must be kept during the service life of the product and must be passed on with the product.

1.5 Symbols used

1.5.1 Hazard categories

In this manual, safety instructions are marked by symbols. The safety instructions are introduced by statement/signal words expressing the extent of the hazard.



DANGER

This signal word indicates a situation of immediate risk that will result in death or serious injury if not averted.



WARNING

This signal word indicates a possible hazardous situation that may result in death or serious injury if not averted.



CAUTION

This signal word indicates a possible hazardous situation that may result in minor or slight injury if not averted.



ATTENTION

This signal word indicates a situation of potential risk that could lead to damage to property or the environment if not averted.



Note

This signal word indicates useful information for efficient and trouble-free operation.

1.5.2 Other markings

In this manual, the following markings are used to highlight action steps, results, lists, references, and other elements:

Marking	Explanation
1., 2., 3...	Step-by-step action steps
▶	Results of action steps
•	Lists without a defined sequence
"Display"	Screen elements (e.g. buttons, allocation of function buttons)
▶Phase ▶Phase	Sequence of the operating phases of the unit

1.6 Optional equipment

Some described options may or may not be available depending on the selected revolving door type or options. These functions/options are marked with an asterisk (*) in the document.

1.7 Customer service

Address	dormakaba Deutschland GmbH DORMA Platz 1 58256 Ennepetal Germany
Internet	www.dormakaba.com

2 Safety

2.1 Intended use

The revolving door KTC 2 was designed as a 2-wing revolving door with an optional sliding door for use as a doorway for persons to pass through at entrances and in the interior of buildings. With the optional sliding door the revolving door is also suitable for use as a transport and/or ventilation opening.

The rotating ceiling has 2 integrated night shields.

The facility operator may only operate the revolving door after the record of delivery has been received by dormakaba.

The intended use also includes compliance with all information in this manual and in the other applicable documents.

Any use beyond the intended use or any other kind of use is considered misuse.

2.2 Misuse

The use of control elements, settings or procedures not described in this documentation may cause electric shocks, hazards posed by electrical voltages/ currents, and/or hazards posed by mechanical processes.

2.3 Reasonably foreseeable misuse

Any use above and beyond the correct use is considered to be misuse.

- Do not allow children to enter the revolving door without adult supervision/accompaniment.
- Do not allow children to play in or near the revolving door.
- Do not install the revolving door over soft flooring (e.g. carpeting).
- Never mount or hang things on the revolving door.
- Never stop or block the revolving door with an object.
- Do not walk through an operating revolving door with bulky objects.
- Do not walk against the door wing rotation direction of the revolving door.
- Do not start up the revolving door in case of insufficient lighting.
- Do not start up the revolving door if it is damaged (e.g. broken glass).
- Never use replacement parts that are not approved by the manufacturer.
- Do not allow persons to stay in the revolving door for longer than it takes to pass through the door.
- Do not walk on the ceiling of the revolving door.

2.4 Basic warnings



DANGER

Danger of death due to electric current!

Touching live components such as the drive unit will result in immediate life-threatening danger due to electric shock. Damage to the insulation or live components is life-threatening.

- Work carried out on live components should only be done by a qualified electrician.
- If the revolving door is damaged, immediately turn it off and have it repaired by dormakaba.
- Keep moisture away from live components as it could cause a short circuit.
- Never carry out repairs yourself.
- If anything is unclear, contact dormakaba customer service.



WARNING

Danger of death due to bad weather conditions!

In bad weather conditions (e.g. thunderstorms, lightning, storms), operating the revolving door may lead to life-threatening injury or death.

- Check weather conditions before operation.
- Immediately discontinue operation in bad weather conditions.
- Lock the revolving door in the event of a storm.
- Ensure that risk-free operation is possible in the given weather conditions.



WARNING

Danger of death due to non-functional safety equipment!

When the safety equipment is not functional or is deactivated, there is the danger that persons may be crushed in the revolving door, possibly leading to serious injury or death.

- Ensure that all safety equipment is working properly.
- Never deactivate or bypass safety equipment.
- Ensure that all safety equipment is always accessible.

**WARNING****Danger of death due to deactivated safety equipment!**

If the emergency stop button is in use or the "Summer" program mode is activated, existing safety equipment is not in operation. This can cause serious injuries if attempts are made to turn the door manually.

- Before turning the door manually, check to make sure that no one could be injured.
-

**WARNING****Danger of illegible signage!**

Over time, labels and signs may become dirty or otherwise illegible, so that dangers can no longer be recognized and essential operating instructions cannot be followed. This could put someone at risk of injury.

- Always keep all safety, cautionary, and operating instructions in legible condition.
 - Immediately replace damaged signs or labels.
-

**WARNING****Danger of entanglement, crushing, and shearing when operating the revolving door!**

When the revolving door rotates, the closing edges can create entanglement, crushing, and shearing points, which may cause injuries.

- Push an emergency stop button immediately if persons come between closing edges.
- Make sure that children do not put their fingers, hands and arms between the closing edges.
- Make sure that no children play in front of or inside the revolving door.
- Ensure that no one is standing in the revolving door when the emergency stop button is released.

Reason: The revolving door automatically resumes the current program setting after a time interval has elapsed.

**CAUTION****Risk of injury caused by insufficient marking of the door wings!**

A significant portion of the surface of a door wing may be comprised of a transparent material. Insufficient marking of the door wings may put persons at risk of injury.

- Door wings with a surface where more than 3 quarters are composed of a transparent material must be marked at eye level to be clearly seen.
 - The markings must be composed of sufficiently large illustrations, symbols, or colored shading.
 - The markings must be easy to recognize in combination with the lighting and background where they are located.
-

2.5 Danger points

When passing through the revolving door, persons may be at risk of injury at the following points:

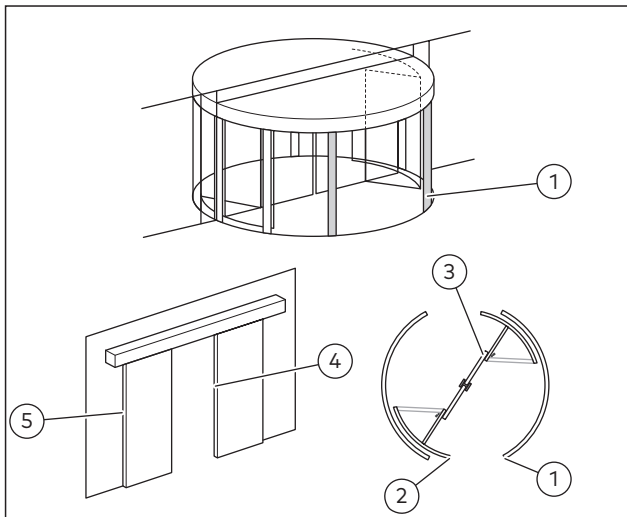


Abb. 1 Danger points

- (1) Opposing closing edge
- (2) Main closing edge
- (3) Secondary closing edge
- (4) Main closing edge (sliding door)
- (5) Secondary closing edge (sliding door)

2.6 Safety equipment

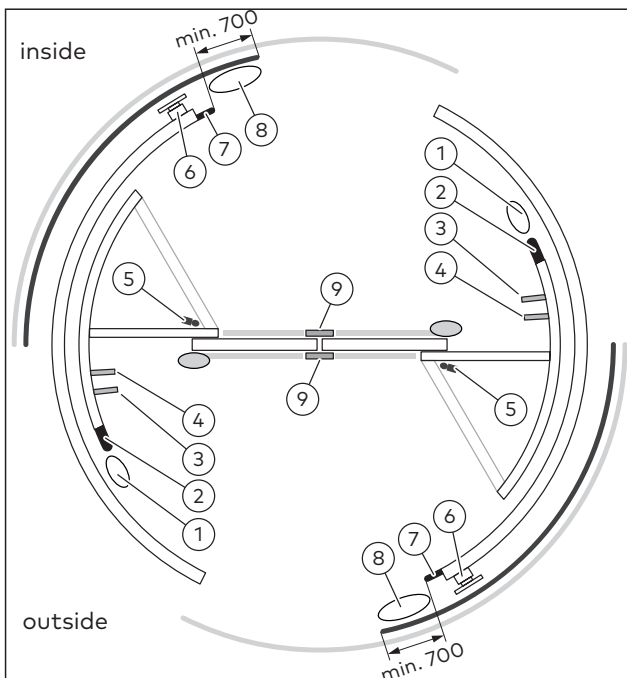


Abb. 2 Safety equipment and operating elements (example)

- (1) Pre-detection sensor
- (2) Passive safety bumper – vertical
- (3) Light barrier 1
- (4) Light barrier 2
- (5) Showcase door safety switch
- (6) Inside emergency stop button (outside is optional)
- (7) Active safety bumper
- (8) Canopy sensor
- (9) Safety sensor for sliding door

2.6.1 Personal protection

The optional door wing sensors detect anyone who approaches the revolving door wings.

As soon as a person enters the range of the sensors, the revolving door will slow to a lower (adjustable) speed or stop. As soon as everybody has left the range of the pre-detection sensors, the revolving door will continue with its current program settings after a restart period.

2.6.1.1 Safety bumpers

Safety bumpers are attached to the night shields and the right mullions.

If one of the passive safety bumpers (Abb. 2/2) on the night shields is touched, the revolving door will not stop. The passive safety bumper serves merely to cushion impacts. The pre-detection sensor takes over the function of the active bumper and stops the door. The pre-detection sensor has 2 functions (2 sensor curtains): The first sensor curtain slows down the door. The second sensor curtain stops the door.

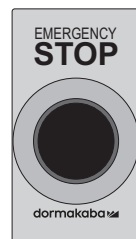
The active safety bumpers (Abb. 2/7) on the mullions are safety contact strips. The safety contact strip includes a contact that is broken when touched. If the contact is broken and the leading post of the night shield is within 700 mm of the mullion, the revolving door stops. Once contact has been restored in the safety contact strip, the revolving door will resume operation according to its current program settings after an adjustable waiting period.

2.6.1.2 Canopy sensors

These contactless sensors (Abb. 2/8) are used to detect obstacles at the main closing edges.

If an obstacle has been detected at least 700 mm before the door wing has reached the post, the system immediately switches to positioning speed or stop depending on the parameter settings. The system resumes operation when the sensors no longer detect an obstacle. The control unit tests the sensors for their function twice during each rotation. In case of a failure of the sensors, the system moves into the home position at positioning speed.

2.6.1.3 Emergency stop buttons



An emergency stop button (Abb. 2/6) is located on the inside of the building on the leading mullion and optionally also on the outside of the building, depending on the options selected for the order. When the emergency stop button is pushed, the revolving door stops immediately and the drive unit is disengaged. Then it is possible to rotate the door wings manually.

Depending on the model, the emergency stop can be reset by pulling or turning the emergency stop button, and the revolving door will resume operation according to its current program settings.

2.6.1.4 Light barriers

The contactless sensors (Abb. 2/3 and Abb. 2/4) are mounted in the foot area horizontally between door wing and strut. During rotation, as soon as persons are detected, the system stops immediately. After leaving the safety zone, the system will restart. The light barrier 1 slows down the door. The light barrier 2 stops the door.

2.6.1.5 Showcase door safety switch

The switches (Abb. 2/5) are located on the showcase doors.

The system stops immediately if one of the showcase door leaves is opened during the rotation.

In order to restart the system, the door leaves must be closed.

2.6.1.6 Speed monitoring

The speed of KTC-type revolving doors may not exceed 750 mm/seconds, therefore the KTC 2 cannot be set to a faster speed. When setting the speed, the types of users have to be considered (e.g. also persons with restricted mobility or elderly persons). Danger to persons has to be prevented. This may require reducing the speed of 600 mm/seconds set at the factory.

2.6.1.7 Sliding door locking contact

In case the sliding door is opened during the rotation of the revolving door, the system moves into the home position at positioning speed. To restart the system, the sliding door must be closed.

2.6.1.8 Control unit

The control unit of the system is located in the ceiling. The control unit is a self-monitoring system, which immediately identifies defects or malfunctions of the system, then responds and displays them.

2.7 Personnel qualification



WARNING

Risk of injury due to insufficiently qualified personnel!

Insufficiently qualified personnel cannot assess the risks associated with handling the revolving door, thus putting themselves or others at risk of serious or life-threatening injury. If unqualified personnel work on the unit or stay in the unit's danger zone, this results in dangers that could cause serious injury and considerable property damages.

- All work activities in this manual should be carried out by the facility operator.
- All work activities going beyond what is described in this manual should be performed by dormakaba.
- Do not allow insufficiently qualified personnel to be involved in any of the work activities described in this manual or any work activities going beyond what is described in this manual in any way.
- Contact dormakaba in case of any uncertainties.

Requirements for the personnel

Only persons who can be expected to carry out the work activities reliably should be allowed to do any of the work activities described. Persons whose reactions are affected, e.g. by drugs, alcohol, or medication, are not authorized to carry out such work activities.

3 Product description

The revolving door KTC 2 was designed for use as a doorway for persons to pass through at entrances and in the interior of buildings. The movable door elements of the system rotate around a virtual central axis.

3.1 Leading and trailing mullions

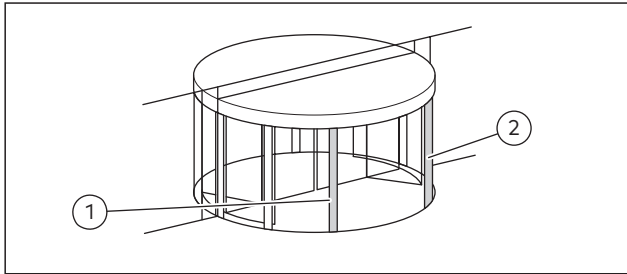


Abb. 3 Leading and trailing mullions

Leading (Abb. 3/2) and trailing mullions (Abb. 3/1) are located at the entrance and exit of the revolving door. The door wings move towards the leading mullion (Abb. 3/2) and away from the trailing mullion (Abb. 3/1).

Depending on how the revolving door is designed, there may be operating elements on the leading mullion (Abb. 3/2) such as emergency stop buttons, disabled access buttons, program switches, etc.

3.2 Door wing locking devices

3.2.1 Electromagnetic brake

The electromagnetic brake is integrated in the motor. Once the program switch has been set to "Off", the revolving door will rotate to its locking position and the electromagnetic brake will be activated.

The electromagnetic brake will be deactivated as soon as the program switch is used to switch the revolving door to an automatic mode.

3.2.2 Electromechanical locking device

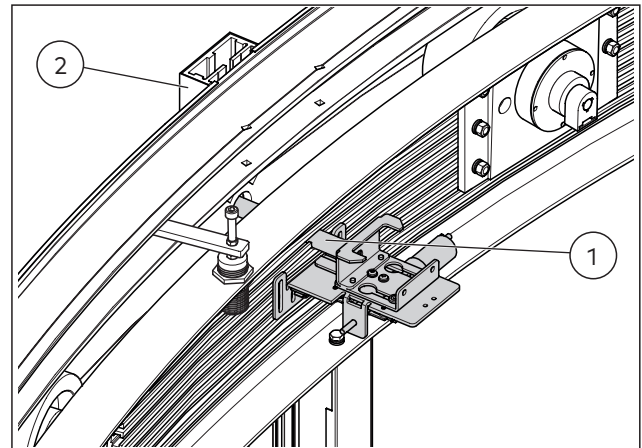


Abb. 4 Electromechanical locking device

The electromechanical locking device (Abb. 4) is located in the revolving ceiling. Once the program switch has been set to "Off", the revolving door will rotate to its locking position at positioning speed. The pin (Abb. 4/1) will then be pushed into the left inner mullion (Abb. 4/2). The electromechanical locking device will unlock as soon as the program switch is used to switch the revolving door to an automatic mode.

3.3 Technical data

3.3.1 Mechanical information

Dimensions

Measurement	Value	Unit
Nominal Diameter	3000 – 5400	mm
Passage height	2100 – 3000	mm
Number of door wings	2	

Weight information

Measurement	Value	Unit
Door with showcase, 304 cladding, CH = 300 mm, D = 5400 mm, PH = 3000 mm	2970	kg

3.3.2 Drive unit information

Power supply unit

Measurement	Value	Unit
Power supply	230 ± 10 %	V AC
Power frequency	50/60	Hz
Fuse supplied by the customer	16	A
Control voltage	24 ± 10 %	V DC
Max. supply current for external loads	300	mA

Power consumption (without lighting, incl. sensors)

Measurement	Value	Unit
Standby operation	115	W
Positioning speed	231	W
Speed for persons with restricted mobility	269	W
Walking speed (600 mm/s)	350	W
Door closed	108	W

Drive unit

Measurement	Value	Unit
Protection class	IP 20	
Operating noise LAeq	< 60	dB(A)

3.3.3 Environmental conditions

Measurement	Value	Unit
Temperature range	-20 – +60	°C
Relative humidity (non- condensing)	< 90	%

3.4 Operating elements

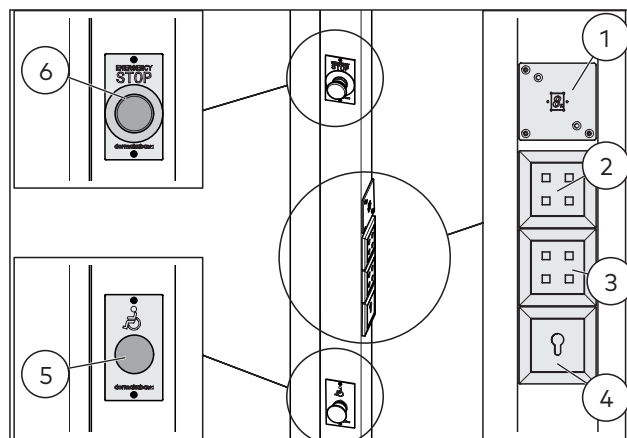


Abb. 5 Overview of the operating elements

- (1) 7-segment display*
- (2) Program switch revolving door (inside)
- (3) Program switch sliding door (inside)
- (4) Key switch*
- (5) Disabled access button (inside and outside)
- (6) Emergency stop button (inside and outside*)

3.4.1 Emergency stop button

An emergency stop button is located at the inside of the building on the leading mullion and possibly also on the outside of the building.

3.4.2 Program switches

The program switches for the revolving door and the sliding door are located inside the building on the leading mullion or attached separately within sight of the revolving door. A key or code secures the program switch against unauthorized access.

The functions that can be adjusted using the program switch are described in the user manual.

3.4.3 Disabled access button

Pushing the disabled access button reduces the current speed of an automatic revolving door, e.g. to give persons with mobility impairments or visual impairments more time to pass safely through the revolving door. The disabled access button can be used in the program settings "Automatic 1", "Automatic 2", and "Night/Bank".



Note

After 1 full revolution at reduced speed, the revolving door will resume operation at normal walking speed.

3.4.4 Motion sensors

Motion sensors are located at the entrance and exit (Abb. 2/4 + Abb. 2/9) of the revolving door. When the motion sensors sense an approaching person, the motion sensors transmit a start command to the control unit. The revolving door starts the rotation automatically. When there are no more persons within the range of the motion sensors, the revolving door will slow to its positioning speed and move to the next closest starting position.



Note

In "Automatic 2" mode, the revolving door will continue rotating at positioning speed even after all persons left the range of the motion sensors.

3.5 Revolving door signage

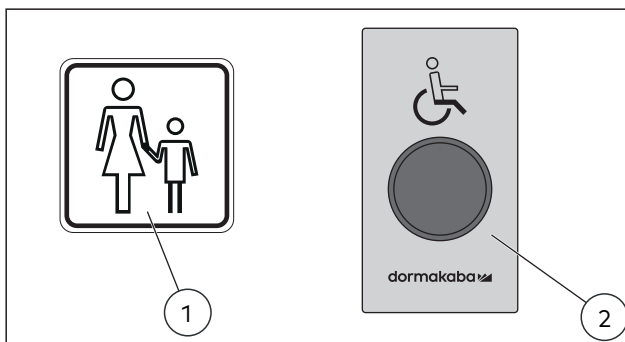


Abb. 6 Overview of signage/labels

- (1) Children to be accompanied by an adult
- (2) Disabled access button

3.6 External 7-segment display (optional)

An optional 7-segment display is mounted to the inner post, which is statically controlled via 4 inputs. This display can display 16 different characters.

4 Operation

4.1 Operating the program switch

The program switches are protected by a code that can be set individually. This code can be protected by an additional key switch.

4.1.1 Changing the operating mode

1. Unlock the program switch by entering the code.
 - ▶ Factory setting = 1 - 1 - 1 - 1



Note

The last 4 digits are evaluated. In case an incorrect code was entered, re-enter the code.

- ▶ The program switch is unlocked when the LED for the current operating mode flashes.
2. Set the operating mode by pressing the respective key.
 - ▶ The LED of the selected operating mode is on.
 - ▶ 1 minute after the last keypress, the program switch will be automatically locked again.

4.1.2 Changing the code

1. Unlock the program switch.
2. Press the keys 1 and 2 simultaneously for approx. 3 seconds.
 - ▶ The LEDs for the keys 1 to 4 are on.
3. Enter the new 4 digit code.



Note

The code has always 4 digits and is limited to the numbers 1 to 4. The numbers can be entered in any sequence and also used twice.

- ▶ 1 LED goes out after each input.
- ▶ As soon as all 4 digits have been entered, the new code will be active (all LEDs are off).
- ▶ The current operating mode is now indicated again.

4.1.3 Unlocking via key switch

If the program switch is to be unlocked by using the key switch, the code must be changed to 0 - 0 - 0 - 0.

1. Unlock the program switch using the key switch.
2. Press the keys 1 and 2 simultaneously for approx. 6 seconds.
 - ▶ After 3 seconds, the LEDs 1 to 4 will light up, after 6 seconds the LEDs will go out again.

- ▶ The current operating mode is indicated.
- ▶ The code is now set to 0 - 0 - 0 - 0 and the program switch can only be unlocked by using the key switch/key switch button.

In case the code is to be changed again, the program switch must be unlocked using the key switch. The code is changed as described in "4.1.2 Changing the code" on page 10.

In case the key switch was used to unlock the program switch:

- The program switch will automatically be locked 1 minute after the last keypress.
- The key switch must also be used to lock the program switch.

4.1.4 Measures to be taken if the code cannot be remembered

1. Turn off the power.
2. Press keys 1 and 3 and keep them pressed.
3. Turn on the power.
4. Release the keys.
 - ▶ The code is now reset to 1 - 1 - 1 - 1.
 - ▶ The program switch is in the OFF position.

5 Maintenance

5.1 Spare parts



WARNING

Risk of injury due to using the wrong spare parts!

Using incorrect or faulty spare parts can result in dangers to personnel and also the risk of damage, malfunction, or complete failure.

- Only use original spare parts from dormakaba or spare parts approved by dormakaba.
- Always contact dormakaba in case of any uncertainties.

Article number	Description
9900060400041	Emergency stop switch KTC 2 (III)
9900060400042	Disabled access button KTC 2 (III)
9900060400043	Encoder assembly KTC 2 (III)
9900060400044	Wheel assembly for encoder KTC 2 (III)
9900060400045	Wheel assembly for motor KTC 2 (III)
9900060400046	Wheel assembly standard KTC 2 (III)
0005013632332	USV MTD 700
9900060400050	Motor toothed wheel, bushing KTC 2 (III)
9900060400051	Lock for show case KTC 2 (III)
9900060400055	Safety light barrier KTC 2 (III)
9900060400058	Support roller assembly KTC 2 (III)
9900060400059	Frequency Converter KTC 2 (III)
9900060400060	Drive unit G50BH KTC 2 (III)
9900060400056	LZR-FLATSCAN SLZ (Built-in mont.)

5.2 Maintenance by dormakaba

Regular maintenance of your units pays off: weak points are detected and eliminated at an early stage and your unit's service life is increased.

dormakaba and our authorized partners offer premium maintenance service for automatic doors and hold-open systems, which gives building operators reliable safety through the official seal of approval. Because if all door units have not been properly tested, the building operator may be liable for property damage and personal injury in the event of an accident. Regardless of safety aspects, regular maintenance also makes sense from an economic point of view. Any damage or wear can thus be detected and repaired at an early stage. The risk of unforeseen costs, such as high repair costs, can be minimized – and we help you to keep an eye on your budget – always with the aim of increasing the service life of your door units.

dormakaba takes over the complete organization and execution of maintenance for you. The advantage to you: all units – including units from other manufacturers – are tested by trained experts at the scheduled regular intervals. The facility operator does not have to worry about anything else, legal requirements are reliably fulfilled.

A maintenance contract for the door ensures tested functionality with a premium standard!

We want to win you over too – contact us for a non-binding, free quote for a maintenance contract.

Further information on this and many other topics of the dormakaba service can be found on our homepage at www.dormakaba.com

6 Cleaning

6.1 Safety while cleaning



DANGER

Danger of death due to electric current!

Anyone touching the drive unit while cleaning could sustain a life-threatening electric shock.

- Only clean the revolving door when the emergency stop button is activated.
- Keep moisture away from the drive unit.
- If anything is unclear, contact dormakaba customer service.



WARNING

Risk of injury caused by automatic start-up after the emergency stop button has been released!

If the emergency stop button is released after cleaning work has been completed, the revolving door will continue operation in the current program setting. This could pose a risk of injury for persons in the revolving door.

- Ensure that there is no one in the revolving door before releasing the emergency stop button.



CAUTION

Risk of injury caused by wet floor!

Slipping on a wet floor may cause a fall and lead to injuries.

- Always soak up any leaked or spilled liquids immediately.



ATTENTION

Property damages caused by improper cleaning agents!

Improper cleaning agents may damage the revolving door and cause an outage of the revolving door.

- Only use cleaning agents as described in the following cleaning plan.
- Always follow the manufacturer's instructions when using cleaning agents.

6.2 Cleaning plan



Warning!

Only clean the revolving door when the emergency stop button is pressed!

6.2.1 Daily cleaning

- Clean the floor.
- If necessary, clean the floor or shoe-cleaning mats.
- If necessary, remove heavily soiled mats and clean the mat acceptor grooves.
- Clean the floor runner of the night shield.

6.2.2 Weekly cleaning

- Vacuum off door wing brushes.
- If necessary, clean heavily soiled door wing brushes with usual hair shampoo.
- Clean glass surfaces with usual glass cleaner.
- Wipe off rust-free surfaces with usual cleaner for stainless steel surfaces and a soft cleaning cloth.
- Wipe off powder-coated and anodized surfaces with a usual cleaning agent and a cleaning cloth.

7 Troubleshooting



WARNING

Risk of injury due to improper troubleshooting!

Injuries and property damages may result if malfunctions are not properly corrected.

- As the operator, only perform the malfunction correction measures described in this manual.
- Have all other malfunction correction measures carried out exclusively by dormakaba.

7.1 Error indication

As soon as a malfunction occurs, the LED on the program switch flashes red.

The flashing frequency indicates the error code.

Example: 1 x flashing = error 1, 2 x flashing = error 2 etc.

After a short pause, the flashing will be repeated.

Number of flashes	Status/Error
0	No error
1	Watchdog error
2	Locking device error
3	Program switch error
4	Sensor error
5	Incremental encoder error
6	Frequency converter error
7	CPU error
9	Learning cycle error
10	DCW error
11	X-position error
12	Brake error
13	Circumferential speed error
14	Obstruction error
15	Braking speed error
17	Sliding door error
18	Power failure
19	Error of USV power supply unit

7.2 External 7-segment display

This display is located at the inner right mullion and indicates errors/status notifications of the system.

Display	Status/Error
0	No message
1	No teach-in run has been performed
2	Low battery, emergency power module
3	Locking device defect
4	Canopy sensors active
5	Safety strips/showcase leaf switch active
6	Safety strips mullion active
7	Door wing sensor rotating part active
8	Emergency stop active
9	Light barrier rotating part active
A	Motion sensor active
B	System moves too fast
C	Sliding door not closed
D	Error sensor test
E	Zero-point sensor not OK
F	Program switch cannot be read

In case several of those conditions occur simultaneously, they will be indicated successively.

7.3 Troubleshooting table

Malfunction	Reason	Solution
Door wings rotate very slowly or not at all	Door wings are blocked by an object	Check revolving door for blockage, remove obstruction if necessary, and then reset the error.
	Revolving door has been blocked 3 times in the same position	Check revolving door for blockage, remove obstruction if necessary, and then reset the error.
	Emergency stop button is pressed	Check all emergency stop buttons and release them by pulling or turning
Sliding door moves very slowly or not at all	Sliding door is blocked by an object	Check sliding door for blockage, remove obstruction if necessary, and then reset the error.

7.4 Error reset

The malfunctions from the troubleshooting table are reset on the revolving door using the program switch.

1. Ensure that any possible future malfunctions are prevented.
2. Ensure that no one is in the revolving door.
3. Set the program switch to "Off".
4. After waiting for at least 3 seconds, restart the revolving door using the program switch.

7.5 Check the revolving door for blockage

If an object is blocking the door wings, the revolving door must be stopped immediately. After the emergency stop is activated, the drive unit will be disengaged and the revolving door can be rotated manually to look for the cause of the blockage and resolve the issue.

1. If there is an emergency stop button at the entrance or exit, push it.
 - ▶ The revolving door stops. The drive unit is released and the door wings can be turned manually.



Warning!

Risk of injury caused by improper rotation!

2. Carefully turn the door wings manually and check for blockages.
3. Remove the object blocking the door.
 - ▶ If the reason for blockage is not visible, do not restart the revolving door and contact dormakaba customer service.
4. Free any persons who may be stuck in the revolving door.



Warning!

Risk of injury due to automatic start-up!

5. Ensure that no one is present in the revolving door and, if necessary, release the emergency stop button.

- ▶ The revolving door will continue with the current program settings.

6. If removing an object does not eliminate the blockage, push the emergency stop button and secure the revolving door so that no one can enter. Contact dormakaba customer service.

7.6 Unlocking the electromechanical locking device in case of power loss

When a power outage occurs, a locked revolving door will release the electromagnetic brake, but the door wings will still be locked in place by the locking pin. The manual lock release can be used to unlock the locking pin.

1. Make sure that the program switch is turned to "Off".
2. Remove the plug (Abb. 7/2) in the inner left mullion to access the locking pin.



Note

The location of the plug is indicated by a sticker (Abb. 7/1). The sticker also shows instructions on how to unlock the electromechanical locking device.

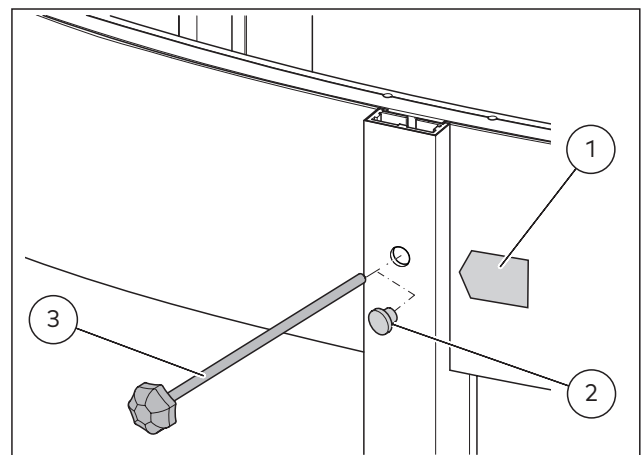


Abb. 7 Locking pin

3. Use the rod (Abb. 7/3) to push the locking pin back into the revolving ceiling.
 - ▶ The revolving door can be turned manually.

7.7 Sensors do not react to program setting

Objects (e.g. advertisement displays, ashtrays) or dirt (e.g. foliage, puddles of water) within the range of the motion sensor and/or pre-detection sensor can cause the revolving door to behave strangely (e.g. constant turning of the door wings).

1. Ensure that no one is in the revolving door, then push the emergency stop button at the entrance or exit.
 - ▶ The revolving door stops. The drive unit is released and the door wings can be turned manually.
2. Check if there are any objects or contaminants in the detection area of the canopy sensors, the motion sensors, or the pre-detection sensors of the door wings, or the leading mullion. If necessary, remove objects or dirt.



Warning!

Risk of injury due to automatic start-up!

3. Ensure that there is no one in the revolving door and release the emergency stop button.
 - ▶ After a preset restart time, the revolving door resumes operation with the current program settings.
4. If the sensors (motion sensors/pre-detection sensors) fail to react normally even after the objects or dirt have been removed, push the emergency stop button and secure the revolving door against entry. Contact dormakaba customer service.

8 Disassembly and disposal

Disassembly is carried out in the reverse order of mounting and must be carried out by qualified personnel.



DANGER

Danger to life through electric current

Work on electrical units must only be carried out by qualified electricians.

- Before starting work on electrical units and equipment, switch off the mains power and secure it against being switched on again for the entire duration of the work.



The product must be disposed of in an environmentally friendly manner. Electronic parts and batteries must not be disposed of as domestic waste. Dispose of electronic parts and batteries in the designated acceptance and collection points. Refer to the statutory regulations for your country.

9 EC Declaration of conformity

dormakaba Deutschland GmbH, DORMA Platz 1, 58256 Ennepetal

hereby declares that the product

KTC 2

conforms to the provisions of the following EC Directives and that the following standards have been applied.

EC Directives:

2014/30/EU	Electromagnetic Compatibility
2006/42/EC	Machinery directive
2011/65/EU	RoHS

Harmonized European standard, national rules:

EN 13849-1
 EN ISO 12100
 EN 16005
 EN 60335-2-103
 EN 61000 - 6 - 2
 EN 61000 - 6 - 3
 EN 61000 - 3 - 2
 EN 61000 - 3 - 3
 EN IEC 63000

The technical documentation is available from the Product Compliance Manager at:
product-compliance.dach@dormakaba.com.

10 UKCA Declaration of Conformity

This declaration is issued under the sole responsibility of the manufacturer.

dormakaba Deutschland GmbH, DORMA Platz 1, 58256 Ennepetal, Gemany

declares that the product

KTC 2

complies with the provisions of the applicable UK legislation and UK designated standards.

UK Legislation:

- Electromagnetic Compatibility Regulations 2016
- Supply of Machinery (Safety) Regulations 2008
- RoHS, The Restriction of the Use of Certain Hazardous Substances in Electrical and Electronic Regulation 2012

Designated Standards:

EN 13849-1:2015
 EN ISO 12100:2010
 EN 16005:2012/AC:2015
 EN 60335-2-103:2015
 EN 61000 - 6 - 2:2005
 EN 61000 - 6 - 3:2007/A1:2011
 EN 61000 - 3 - 2:2014
 EN 61000 - 3 - 3:2013
 EN IEC 63000:2018

The technical documentation is available from the Product Compliance Manager at:
product-compliance.dach@dormakaba.com.

Copyright © dormakaba 2024



www.dormakaba.com

dormakaba Deutschland GmbH
DORMA Platz 1
58256 Ennepetal
Deutschland
+49 2333 793-0

www.dormakaba.com