

# TS 72

## Door closer



# The ideal solution for doors of up to 1,100 mm

The universally applicable door closer TS 72 is a great choice for all doors with conventional designs and constructions that should simply reclose after opening. It can be installed easily and quickly without a mounting plate.

The closing force is continuously adjustable to the individual door size using an adjustment screw.

The production plant is ISO 9001 certified.

### Advantages listed point by point

#### For trade

- Only one model for all standard doors.
- Flexible stock keeping thanks to uniform rods of the ClassicLine series.

#### For fitters

- Suitable for DIN-L as well as DIN-R doors.
- Closing force, closing speed and latching action can be adjusted in only a few steps.

#### For planners

- Optimum price-performance ratio.
- Compact, timeless design.

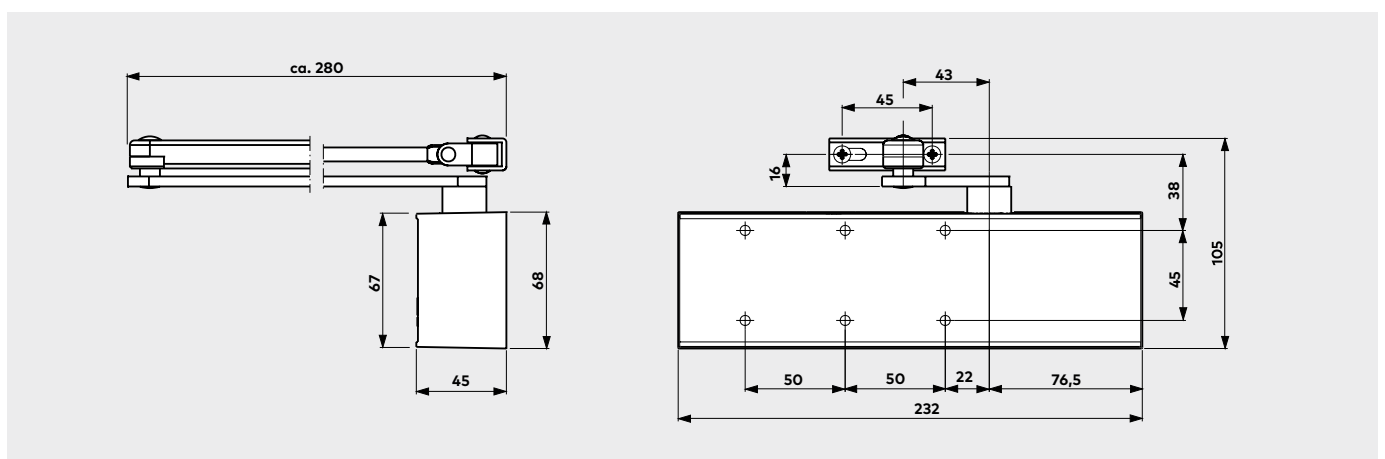
#### For the end user

- Constant closing sequence, virtually independent of temperature fluctuations.
- Optimum adjustment of the closing time by means of two regulating valves.
- Secure closing thanks to adjustable latching action.

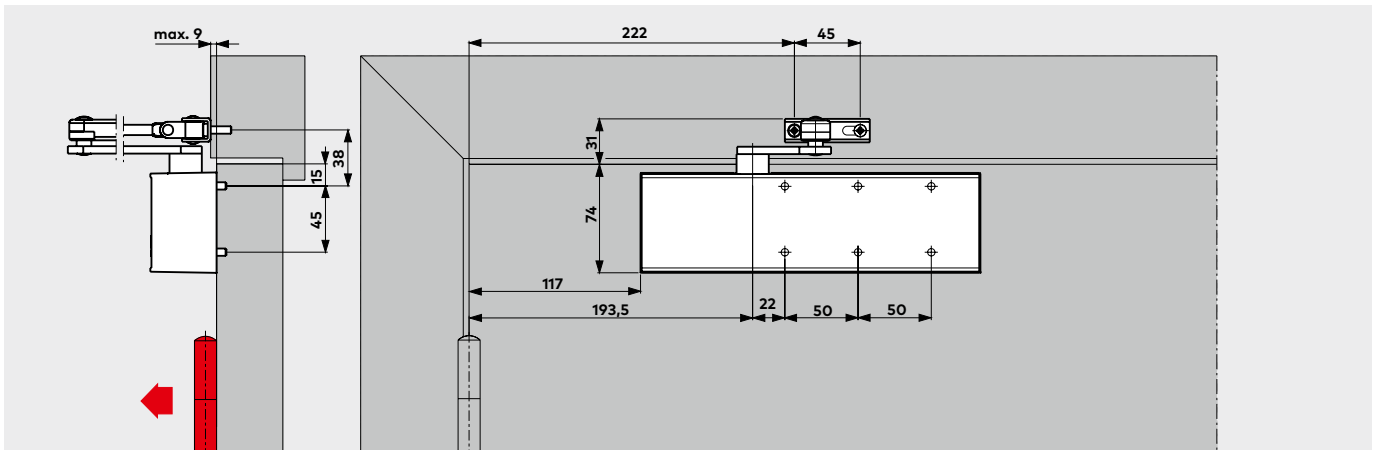
| Data and features  |                         | TS 72  |
|--|-------------------------|--------|
| Continuously adjustable closing force                                  | Size                    | EN 2-4 |
| General doors  | ≤ 1100 mm <sup>1)</sup> | ●      |
| Exterior doors, opening outwards                                       |                         | -      |
| For fire and smoke doors   |                         | ●      |
| Same design for DIN-L (left-handed door) and DIN-R (right-handed door) |                         | ●      |
| Bar  | Standard                | ●      |
|  | Slide channel           | -      |
| Closing time continuously adjustable using two separate valves         | 180°-15°<br>15°-0°      | ●      |
| Continuously adjustable latching action (using rods)                   |                         | ●      |
| Back check   |                         | -      |
| Delayed closing  |                         | -      |
| Hold open  |                         | ○      |
| Weight in kg   |                         | 1.2    |
| Dimensions in mm   | Length (L)              | 232    |
|  | Depth (B)               | 45     |
|  | Height (H)              | 68     |
| Door closers tested in accordance with EN 1154                         |                         | ●      |
| CE-Identification for construction products                            |                         | ●      |

● yes - no ○ Option

<sup>1)</sup> For parallel arm installation, the closing torque is approx. 20 Nm (for doors of up to 950 mm)

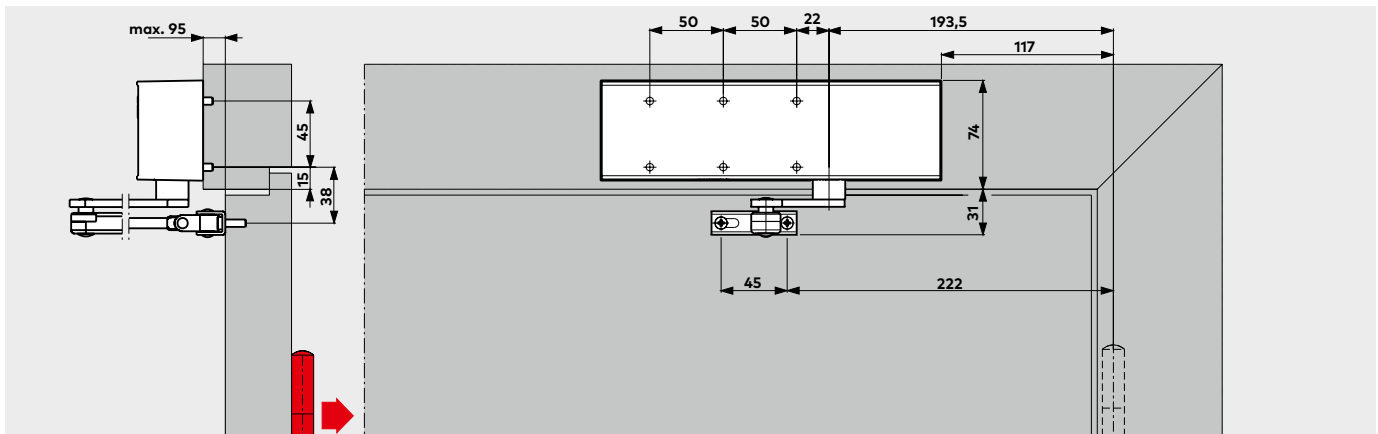


## Door-leaf mounting on hinge side/pull side



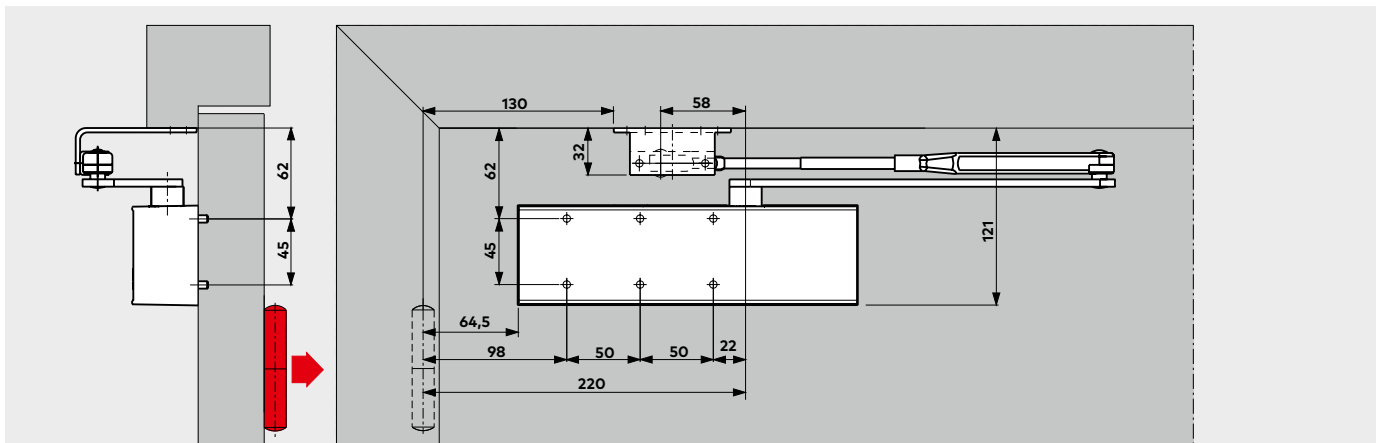
Example: DIN-L door, DIN-R door; mirror image

## Lintel mounting on opposite hinge side/push side



Example: DIN-L door, DIN-R door; mirror image

## Parallel arm installation on hinge side/push side

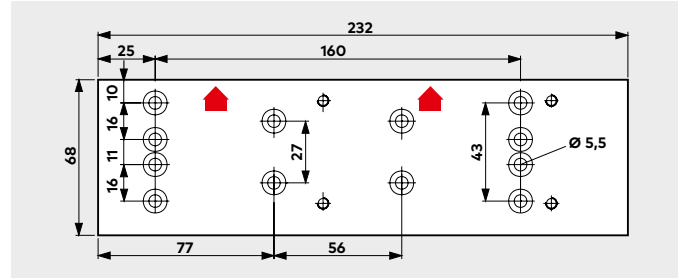
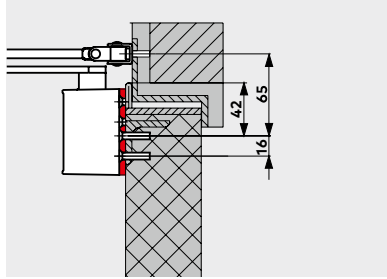


Example: DIN-R door, DIN-L door; mirror image parallel arm bracket (accessory) required  
With this type of mounting, the closing torque is approx. 20 Nm (for doors of up to 950 mm)

# Accessories

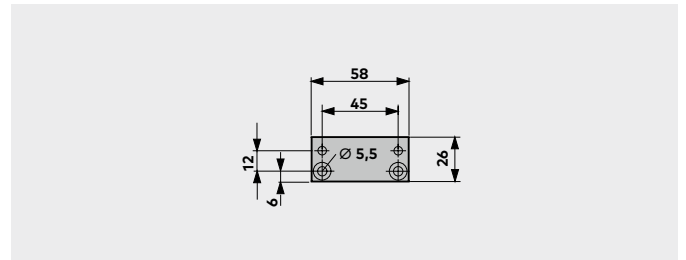
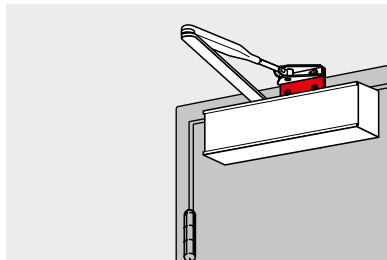
## Mounting plate

For mounting on doors where no direct mounting is possible. Hole group according to Supplementary sheet 1 to EN 1154.



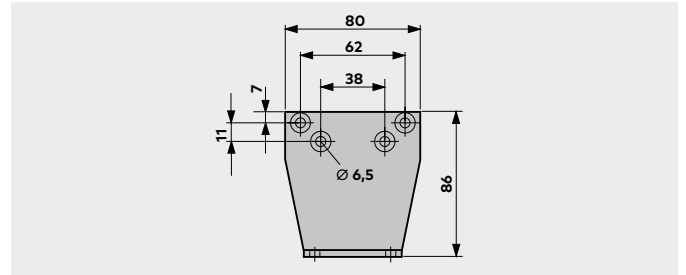
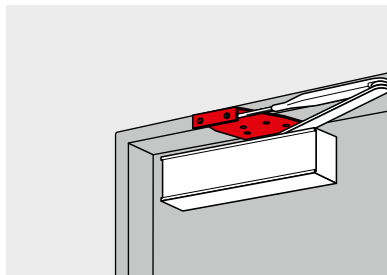
## Hinge plate

For fastening the rod to particularly narrow door frame

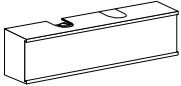
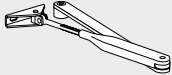
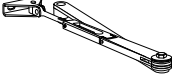
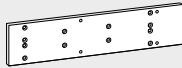




## Fixing bracket

For fastening the rod in the case of parallel arm installation.



# Product contents and accessories

| Door closer   | Standard arm  | Latching arm  | Mounting plate  | Hinge plate   | Fixing bracket for parallel arm installation  |
|---|---|---|---|---|---|
|  |  |  |  |  |  |
|   | <input type="checkbox"/> 220023xx   | <input type="checkbox"/> 220025xx   | 220021xx  | 830014xx  | 280066xx  |
| Size EN 2-4<br>■ 222321xx   | ■ <input type="checkbox"/>  | ■ <input type="checkbox"/>  | △   | △   | △   |

|           |                  |                                       |
|-----------|------------------|---------------------------------------|
| <b>xx</b> | <b>Colour</b>    | ■ Separate closer                     |
| 01        | Silver-coloured  | <input type="checkbox"/> Separate rod |
| 11        | White (RAL 9016) | △ Accessories                         |
| 09        | special colour   |                                       |

## Specification text

### Specification text

Gear-driven door closer with continuously adjustable closing force, size EN 2-4, adjustable closing time in two independent ranges and adjustable latching action. Can be used DIN-L and DIN-R.  
Tested in accordance with EN 1154.

### Version

- with standard arm
- with latching arm

### Accessories

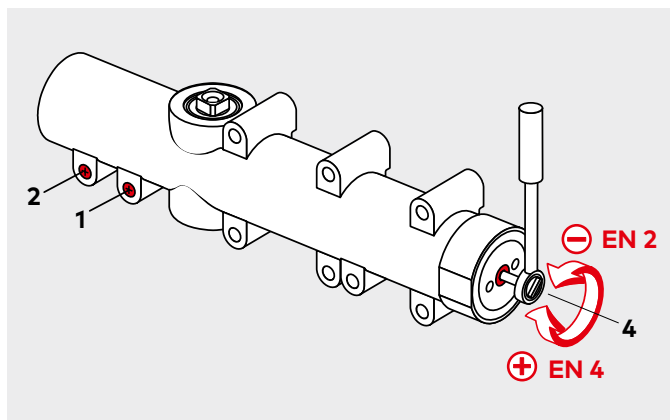
- Mounting plate
- Hinge plate
- Fixing bracket for parallel arm installation

### Colour

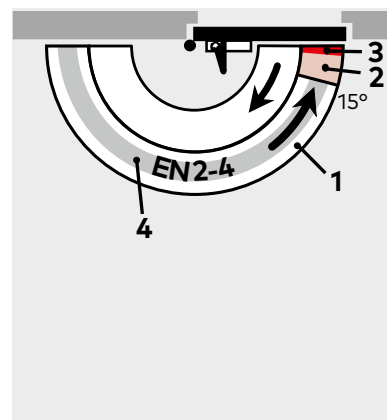
- Silver-coloured
- White (cf. RAL 9016)
- Special colour \_\_\_\_ (cf. RAL \_\_\_\_)

**Make** dormakaba TS 72

## Standard and optional functions



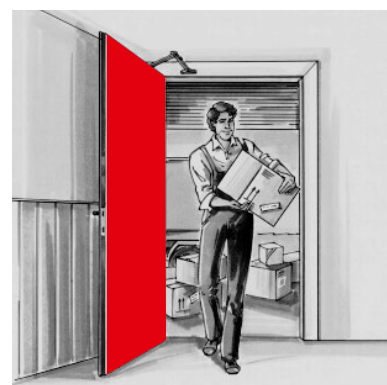
- 1 Continuously adjustable closing time in the range from 180°–15°.
- 2 Continuously adjustable closing time in the range from 15°–0°.
- 3 Latching action (via rods).
- 4 Continuously adjustable closing force



The **closing time** of the TS 72 can be continuously adjusted in two separate ranges using valves. The latching action can also be adjusted using the closer rods.

With the TS 72, the **closing force adjustment** for the respective door width can be performed using the continuously adjustable lateral adjustment screw.

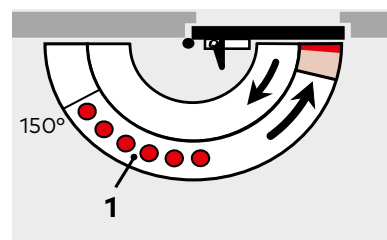
| Door width | Adjustment to size |
|------------|--------------------|
| ≤ 850      | EN 2               |
| ≤ 950      | EN 3               |
| ≤ 1,100    | EN 4               |



When using the TS 72 with a **latching arm**, the door can be held open at a desired point (up to approximately 150°).

**Not suitable for fire and smoke doors.**

- 1 Hold-open area



Space for your notes

## Our Sustainability Commitment

We are committed to foster a sustainable development along our entire value chain in line with our economic, environmental and social responsibilities toward current and future generations. Sustainability at product level is an important, future-oriented approach in the field of construction. In order to give quantified disclosures of a product's environmental impact through its entire life cycle, dormakaba provides Environmental Product Declarations (EPD), based on holistic life cycle assessments.

[www.dormakaba.com/sustainability](http://www.dormakaba.com/sustainability)



## Our offering

### Access Automation Solutions

Entrance Automation  
Entrance Security



### Access Control Solutions

Electronic Access & Data  
Escape and Rescue Systems  
Lodging Systems



### Access Hardware Solutions

Door Closers  
Architectural Hardware  
Mechanical Key Systems



### Services

Technical Support  
Installation and commissioning  
Maintenance and Repair



### Key & Wall Solutions

Key Systems  
Movable / Sliding Walls



### Safe Locks

Electronic Safe Locks  
Mechanical Safe Locks  
Boltworks and Accessories



### Glass systems

Manual door systems  
Glass fittings  
Horizontal Sliding Walls



WN 05181351532, EN, 05/2023  
Subject to technical modifications.



[dormakaba.com](http://dormakaba.com)

**dormakaba**  
**International Holding AG**  
Hofwissenstrasse 24  
CH-8153 Rümlang  
T +41 44 818 90 11  
[info@dormakaba.com](mailto:info@dormakaba.com)  
**dormakaba.com**